

AXCESS

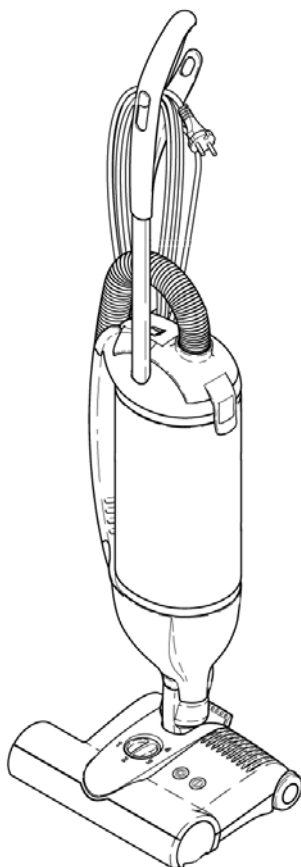


Vacuum

Operating Instructions (ENG)

MODELS: **AXCESS 12**
 1.012-061.0

AXCESS 15
 1.012-062.0



Read instructions before operating the machine.

MACHINE DATA LOG

Model: _____

Date of Purchase: _____

Serial Number: _____

Dealer: _____

Address: _____

Phone Number: _____

Sales Representative: _____

TABLE OF CONTENTS

Machine Data Log/Overview..... 2
Table of Contents..... 3

HOW TO USE THIS MANUAL

How to use this Manual..... 1-1

SAFETY

Important Safety Instructions 2-1
Important Safe Guards..... 2-2
Grounding Instructions 2-3

OPERATIONS

Technical Specifications..... 3-1
Components..... 3-2
Controls..... 3-2
Assembly..... 3-3
Machine Operation..... 3-3
 Power Head 3-4
 Foot Pedal 3-4
 Light Indicators..... 3-5

MAINTENANCE

Brush Roller 4-1
Filter/Bag Replacement..... 4-1
 Filter Bag..... 4-1
 Motor Protection Filter..... 4-1
 Exhaust Filter 4-1
Removing Blockages 4-2

GROUP PARTS LIST

Power Head..... 5-1
Optional Attachments..... 5-1
Miscellaneous Spare Parts 5-1
Parts List 5-2
Wiring Diagrams..... 5-6
Warranty..... 5-7
Machine Registration Card..... 5-9

HOW TO USE THIS MANUAL

This manual contains the following sections:

- HOW TO USE THIS MANUAL
- SAFETY
- OPERATIONS
- MAINTENANCE
- PARTS LIST

The HOW TO USE THIS MANUAL section will tell you how to find important information for ordering correct repair parts.

Parts may be ordered from authorized Windsor dealers. When placing an order for parts, the machine model and machine serial number are important. Refer to the MACHINE DATA log which is filled out during the installation of your machine. The MACHINE DATA log is located on the inside of the front cover of this manual.

Model: _____
Date of Purchase: _____
Serial Number: _____
Dealer: _____
Address: _____
Phone Number: _____
Sales Representative: _____

The model and serial number of your machine is on the bottom back-end of the machine.

The SAFETY section contains important information regarding hazard or unsafe practices of the machine. Levels of hazards is identified that could result in product or personal injury, or severe injury resulting in death.

The OPERATIONS section is to familiarize the operator with the operation and function of the machine.

The MAINTENANCE section contains preventive maintenance to keep the machine and its components in good working condition. They are listed in this general order:

- Filters
- Blockages

The PARTS LIST section contains assembled parts illustrations and corresponding parts list. The parts lists include a number of columns of information:

- **REF** – column refers to the reference number on the parts illustration.
- **PART NO.** – column lists the part number for the part.
- **PRV NO.** - reference number.
- **QTY** – column lists the quantity of the part used in that area of the machine.
- **DESCRIPTION** – column is a brief description of the part.
- **SERIAL NO. FROM** – column indicates the first machine the part number is applicable to. When the machine design has changed, this column will indicate serial number of applicable machine. The main illustration shows the most current design of the machine. The boxed illustrations show older designs. If column has an asterisk (*), call manufacturer for serial number.
- **NOTES** – column for information not noted by the other columns.

NOTE: If a service or option kit is installed on your machine, be sure to keep the KIT INSTRUCTIONS which came with the kit. It contains replacement parts numbers needed for ordering future parts.

NOTE: The number on the lower left corner of the front cover is the part number for this manual.

IMPORTANT SAFETY INSTRUCTIONS

When using an electrical appliance, basic precaution must always be followed, including the following:

READ ALL INSTRUCTIONS BEFORE USING THIS MACHINE.

WARNING: To reduce the risk of fire, electric shock, or injury:

1. Do not leave appliance when plugged in. Unplug from outlet when not in use and before servicing.
2. Do not use outdoors or on wet surfaces.
3. Do not use near small children. Do not allow to be used as a toy. Close attention is necessary when used by or near children.
4. Use only as described in this manual. Use only manufacturer's recommended attachments.
5. Do not use with damaged cord or plug. If appliance is not working as it should, has been dropped, damaged, left outdoors, or dropped into water, return it to a service center.
6. Do not pull or carry by the cord, use cord as a handle, close a door on cord, or pull cord around sharp edges or corners. Do not run appliance over cord. Keep cord away from heated surfaces.
7. Do not unplug by pulling on cord. To unplug, grasp the plug, not the cord.
8. Do not handle plug or appliance with wet hands.
9. Do not put any object into openings. Do not use with any opening blocked; keep free of dust, lint, hair, and anything that may reduce air flow.
10. Keep hair, loose clothing, fingers and all parts of body away from openings and moving parts. Do not place fingers or other body parts under vacuum unless unplugged.
11. Do not pick up anything that is burning or smoking, such as cigarettes, matches, or hot ashes.
12. Do not use without dust bag and/or filters in place. Do not wash filters.
13. Turn off all controls before unplugging.
14. Use extra care when cleaning on stairs.
15. Do not use to pick up flammable or combustible liquids such as gasoline or use in areas where they may have been present.
16. Machines can cause fire when operated near flammable vapors or materials. Do not operate this machine near flammable fluids, dust or vapors.
17. Maintenance and repairs must be done by qualified personnel.
18. Use only identical replacement parts. See instructions for servicing of appliances.
19. Do not use machine as a step.
20. If used on plush carpet or carpet with thick padding, do not leave machine in one place with machine turned on.
21. Do not re-use bags. Once full, discard and replace with a new bag.
22. Always turn off this appliance before connecting or disconnecting motorized nozzle.
23. Do not touch the brush roller while the machine is plugged in. Brush may unexpectedly restart. To reduce the risk of injury from moving parts, unplug before servicing.
24. The vacuum has an electronic overload protection. The power head could shut itself off if used on certain carpets. If that should occur, turn off the machine, unplug it and look for a blockage. If there is no blockage, reduce the load on the brush roller by adjusting the brush height to a higher level (up to 4)
25. Store the vacuum in a dry place at room temperature. When the vacuum is not in use, you should wrap the cord on the cable hooks.
26. Any other servicing should be performed by an authorized service representative.

SAVE THESE INSTRUCTIONS

Important Safeguards

Accidents due to misuse can only be prevented by those using the machine. To guard against injury, basic safety precautions should be observed, including the following:

Read and follow all safety instructions.

WARNING: ELECTRIC SHOCK COULD OCCUR IF USED OUTDOORS OR ON WET SURFACES

This vacuum cleaner is designed to be safe when used to perform cleaning functions. Should damage occur to electrical or mechanical parts, cleaner should be repaired by WINDSOR or competent service station before using in order to avoid further damage to machine or physical injury to user.

A damaged power cord could cause electrical shock and/or fire. To minimize this possibility observe the following precautions:

Do not run cleaner over power cord.

Avoid closing doors on power cord, pulling it around sharp edges, or placing sharp-edged objects upon it.

Wind cord no tighter than is necessary to retain it on the cord hooks.

When disconnecting power cord from electrical outlet, grasp the plug. Pulling it out by the cord itself can damage cord insulation and internal connections to plug.

Your vacuum cleaner creates suction and contains a revolving brush. To avoid bodily injury from suction or moving parts, vacuum cleaner brush should not be placed against, or in close proximity of loose clothing, jewelry, hair or body surfaces while cleaner is connected to electrical outlet. Cleaner should not be used to vacuum clothing while it is being worn. Keep children away from machine when in operation or plugged in.

If used on plush carpet or carpet with thick padding, turn off unit when handle is in upright position. When using accessory tools, keep floor brush off carpet by keeping handle in locked position and lowering handle with one hand to raise brush off floor. Operate accessories with other hand.

Always plug your cleaner into a standard wall outlet. Use of extension cord or light socket with inadequate current-carrying capacity could result in electric shock or fire hazard.

Disconnect cleaner from electrical outlet before servicing, such as changing bags or belts. You could receive bodily injury from moving parts of machine should switch accidentally be turned on. Disconnect cleaner from electrical outlet before detaching powerhead.

Do not use your vacuum cleaner in areas where flammable and/or explosive vapor or dust is present to avoid possibility of fire or explosion. Some cleaning fluids can produce such vapors. Areas on which cleaning fluids have been used should be completely dry and thoroughly aired before being vacuumed.

To avoid fire hazard, do not pick up matches, fireplace ashes, or smoking material with cleaner.

Keep your work area well lighted to avoid picking up harmful materials (such as liquids, sharp objects, or burning substances) and avoid tripping accidents.

Use care when operating the cleaner on irregular surfaces such as stairs. A falling cleaner could cause bodily injury and/or mechanical damage. Proper storage of machine in an out-of-the-way area immediately after use will also prevent accidents caused by tripping over cleaner.

Store your vacuum indoors in a cool, dry area not exposed to the weather to avoid electrical shock and/or cleaner damage.

Exercise strict supervision to prevent injury when using vacuum cleaner near children or when child is allowed to operate vacuum cleaner. Do not allow children to play with vacuum cleaner and never leave cleaner plugged in and unattended.

SAVE THESE INSTRUCTIONS

GROUNDING INSTRUCTIONS

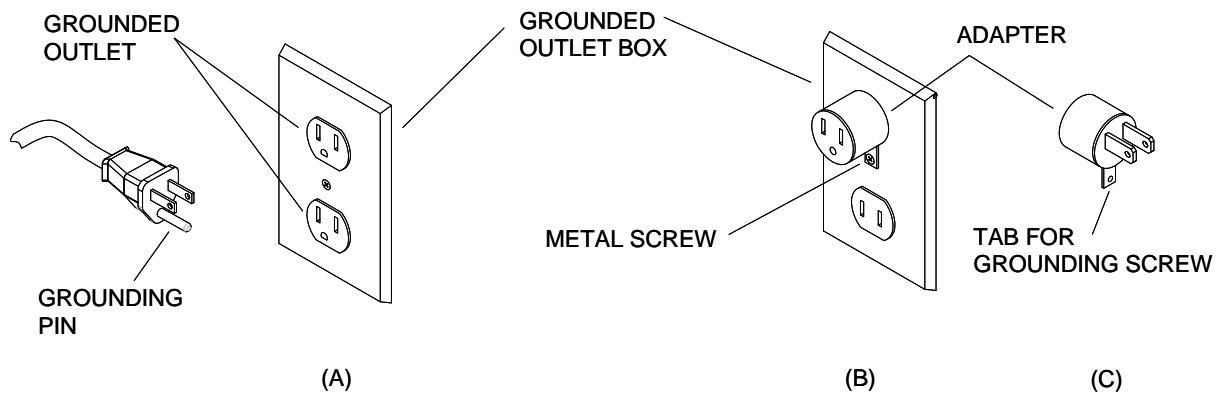
This appliance must be grounded. If it should malfunction or breakdown, grounding provides a path of least resistance for electric current to reduce the risk of electric shock. This appliance is equipped with a code having an equipment-grounding conductor and grounding plug. The plug must be inserted into an appropriate outlet that is properly installed and grounded in accordance with all local codes and ordinances.

WARNING

Improper connection of the equipment-grounding conductor can result in a risk of electric shock. Check with a qualified electrician or service person if you are in doubt as to whether the outlet is properly grounded. Do not modify the plug provided with the appliance – if it will not fit the outlet, have a proper outlet installed by a qualified electrician.

This appliance is for use on a nominal 120-volt circuit, and has a grounded plug that looks like the plug illustrated in sketch **A**. A temporary adaptor looks like adaptor illustrated in sketches **B** and **C**, may be used to connect this plug to a 2-pole receptacle as shown in sketch **B** if a properly grounded outlet is not available. The temporary adaptor should be used only until a properly grounded outlet (sketch **A**) can be installed by a qualified electrician. The green colored rigid ear, lug or the like extending from the adaptor must be connected to a permanent ground such as a properly grounded outlet box cover. Whenever the adaptor is used, it must be held in place by a metal screw.

Note: In Canada, the use of a temporary adaptor is not permitted by the Canadian Electrical Code.



TECHNICAL SPECIFICATIONS

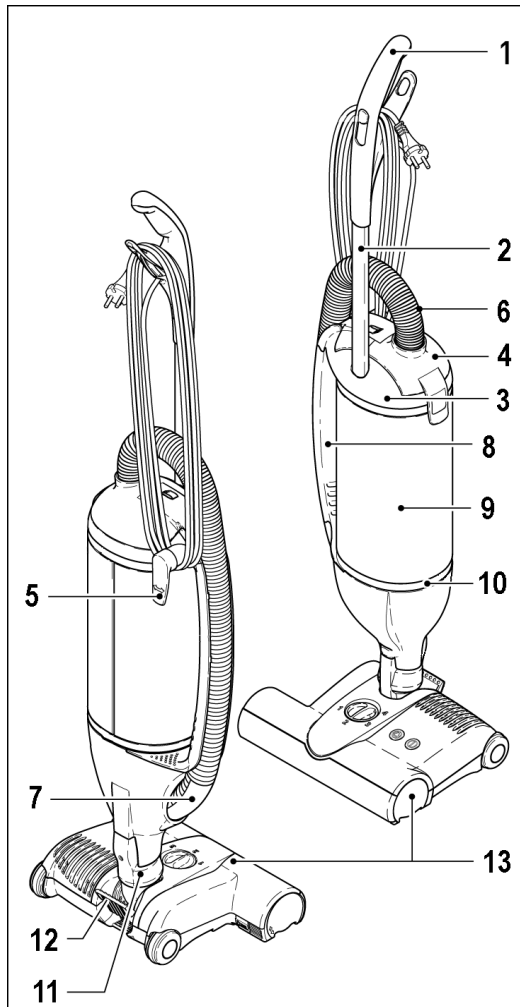
VACUUM PORTION: (Carry unit)

ITEM	DIMENSION/CAPACITY
Vacuum Motor	High Performance, single stage
Vacuum Motor Rated Power	1000 Watts
Vacuum Motor Maximum Power	1200 Watts
Suction	225 Mbar (2300 mm WS)
Waterlift	92 in (234 cm)
Air Flow	102 cfm (48 l/s)
Filter Bag Capacity	3.5 litres, 3 layer, enclosed, top-loading
Weight	
-Access 12	17 lbs (7.7 kg)
-Access 15	17.4 lbs (7.9 kg)
Dimensions - Height	48 in (123 cm)
Housing	Injection molded, high impact ABS and PP plastic
Cable	40 in (12 M) 18/3 SJT

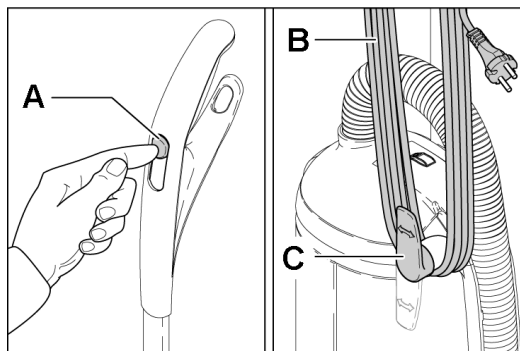
POWER HEAD: (Detachable Head unit)

ITEM	DIMENSION/CAPACITY
Brush Motor Rated Power	
- 12 in (30 cm)	175 Watt
- 15 in (38 cm)	200 Watt
Working Width of Powerhead	
- Access 12	12 in (30 cm)
- Access 15	15 in (38 cm)
Brush Drive	Non-slip Tooth Belt, enclosed, electronic safety clutch and speed control.
Brush Speed	2700 rpm (5400 brush contacts per minute)
Wheels	2 in (5.2 cm) dia. rubberized

COMPONENTS/CONTROLS



- 1. Handle
- 2. Tube
- 3. Dust Bag Housing
- 4. Filter Cover
- 5. Cable Hook
- 6. Hose
- 7. Hose Handle
- 8. Carrying Handle
- 9. Exhaust Filter
- 10. Filter Retaining Rings
- 11. Swivel Neck
- 12. Foot Pedal
- 13. Power Head (12" - 15")



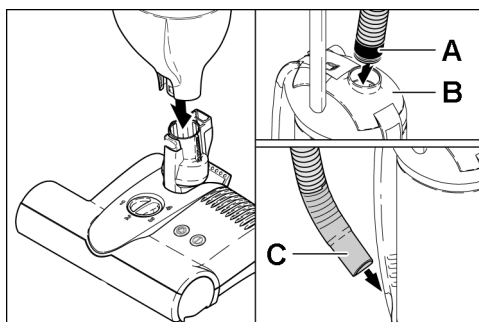
- A. On/Off Switch
- B. Power Cord
- C. Cable Hook

ASSEMBLY/OPERATION

ASSEMBLY

CAUTION Please read all instructions before using this machine.

1. Carefully attach the brush nozzle to the vacuum cleaner through the fitting at the bottom of the vacuum until it locks. [See below]
2. Push the black end of the hose [A] into the connection on the filter cover [B].
3. Insert the hose handle [C] into the suction opening on the side and press the hose into its place on the side of the machine, as shown.



OPERATION

Your vacuum is operated with an electric power brush. The machine can be used in the upright position.

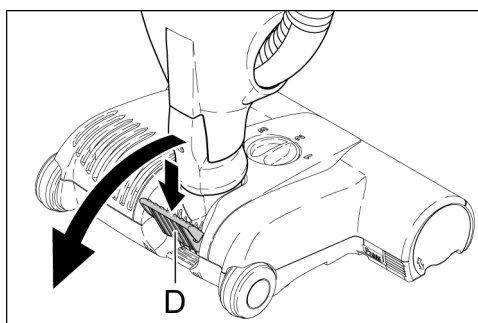
CAUTION When locking the vacuum in the upright position, please ensure the bag housing is clicked in place, face forward to the center or the unit could overturn.

Please ensure that the On/Off switch is in the OFF position. Turn the cable hook to release the power cable and plug into the walls main outlet.

Now you may start your machine by moving the power switch to the ON position.

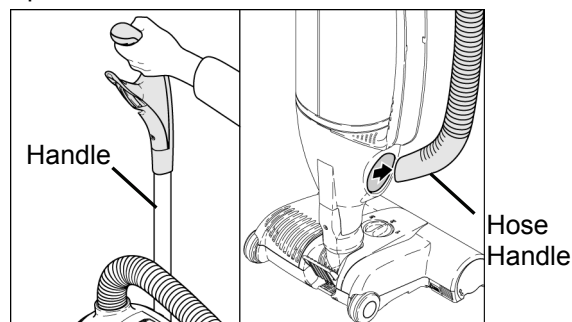
To use the power head (12" or 15" model):

1. Press the foot pedal [D] on the rear of the power head and lower the machine handle to an angled position. The brush motor will then turn on.

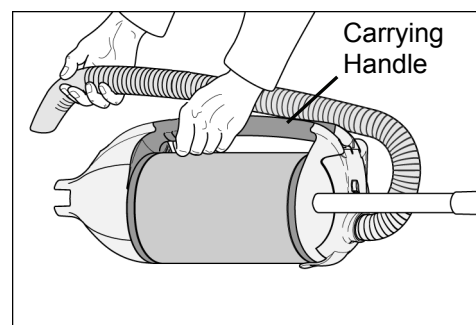


CAUTION When using the hose and attachments, keep the machine in upright position.

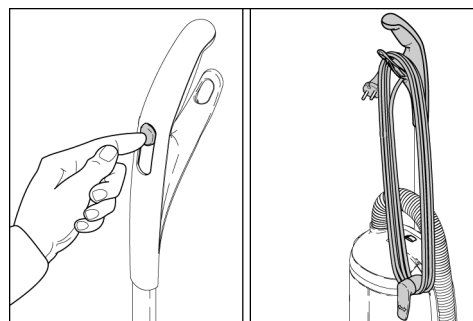
The hose handle can be removed from the side of the vacuum and can be used with or without attachments. Also maintain a grasp on the machine when using the hose as it could tip if the hose is pulled too far.



The machine can also be used without the power head. You can easily carry the machine by using the carrying handle.

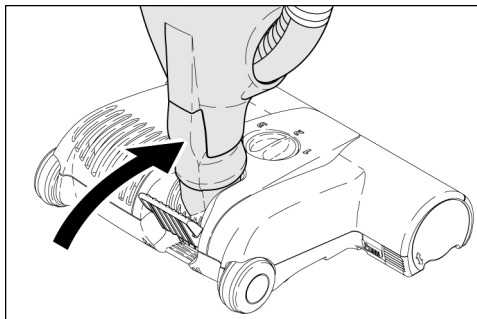


When you have finished using the machine, turn it off by moving the power switch to the OFF position. Then unplug the power cable and wind it into the cable hook and handle.



CAUTION Important instructions for use on the power head.

The brush roller is off and stopped when the machine is in the upright position and the handle is completely locked in place.



NOTE: If you have the machine handle at an angle, the brush roller will spin.

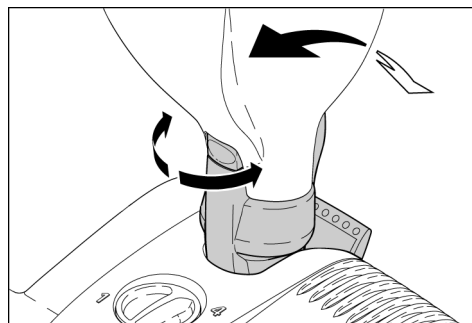
Leaving the machine in a stationary position for an extended period of time while the brush roller is spinning may cause damage to your carpet.

Recommended items to be aware of with regard to your vacuum.

- Be sure **NOT** to allow carpet edges or fringe into the brush.
- This machine could cause damage to loosely woven carpets or rugs, wool loop carpets, long piled carpets, or very soft and sensitive floor coverings.
- We do **NOT** recommend using the power head to clean old or specially valuable hand-crafted carpets.
- If you have uneven flooring, the metal part underneath the machine may scratch the surfaces.
- Please carry the machine over high thresholds.

POWER HEAD

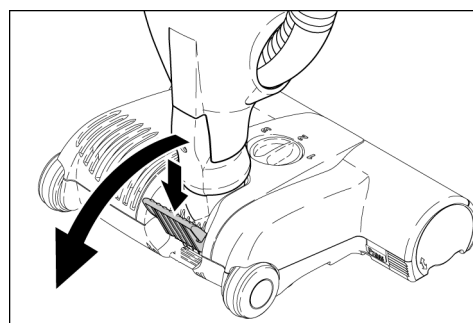
The rotating design of the swivel neck allows the power head to move in any direction, making it easily maneuverable around obstacles.



The power head also has an adjustable brush height and to-the-edge brush action for effective all around cleaning.

FOOT PEDAL

By pushing the foot pedal and lowering the handle, you activate the power head and the brush begins spinning.

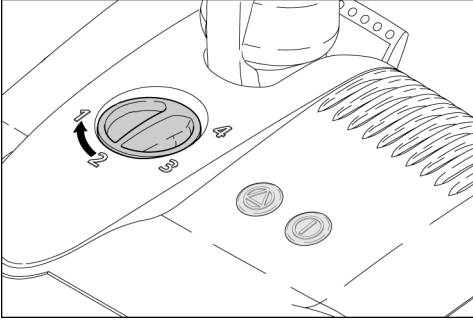


WARNING

Failure to use the Foot Pedal **will** cause damage to the unit.

OPERATION

INDICATOR LIGHTS



The electronic brush control constantly monitors the status of the brush, communicating the status through the lights on top.

Green and **Red**: The brush is not fully engaged in the carpet. The height adjustment should be lowered. If the height adjustment is at the lowest setting, the brush is worn and needs to be replaced.

Green light **ONLY**: Brush is working well.

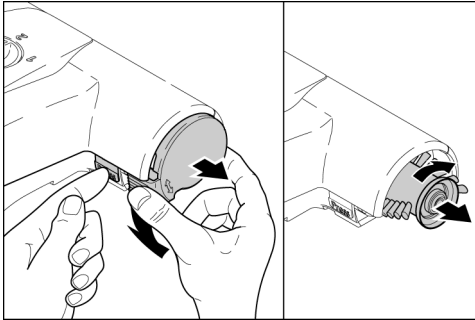
NOTE: Recommend selecting a brush height that is only one level beneath that at which the green and red lights are on.

Red light **ONLY**: Brush is blocked. Turn off machine, unplug and remove blockage. [see maintenance section]

BRUSH ROLLER

To remove the brush roller, press the button and turn the bearing downward.

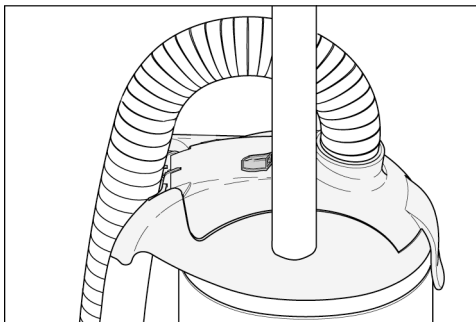
Turn the brush slightly to the right and pull it out.



We recommend to regularly remove threads and hair, which have been wound around the brush roller.

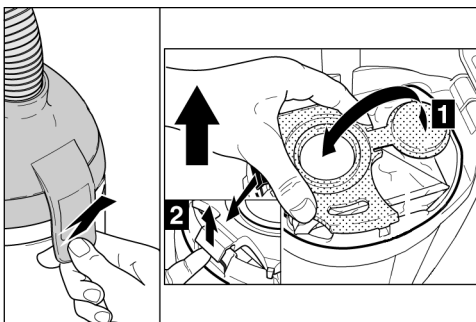
FILTERS

When the orange bag full indicator is showing, airflow is reduced. This could be because the filter bag is full, the filters are clogged or there may be a blockage.



CHANGING THE FILTER BAG

1. Remove the filter bag by opening the latch on the side of the bag housing.
2. Close the filter bag with the sealing cap and lift it out



The procedure to replace the bag is illustrated on the front of each bag.

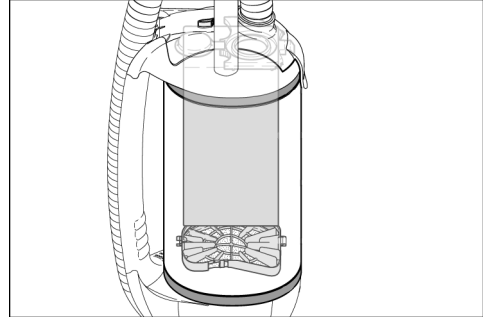
NOTE: You cannot close the bag housing if the bag is fitted incorrectly.

CHANGING FILTERS

Motor Protection Filter

NOTE: This filter can only be accessed by removing the filter bag.

1. Lift the motor protection filter up by the bracket.
2. Replace with new. **NOTE:** Make sure filter fits in position tightly.
3. Put filter bag back in place.

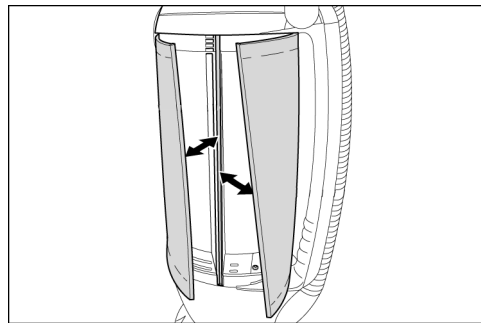


The filter should be changed when it is dirty, at minimum. No later than replacing 20 filter bags.

Exhaust Filter

NOTE: Recommended to replace every time you replace the Motor Protection Filter.

1. Carefully remove the filter retaining rings and put them to the side.
2. Pull the enforcement strips of the filter out of the housing slot.
3. Remove the filter from the housing.
4. Replace with new in reverse order.



Be sure the filter is fitted correctly in the housing slot and retaining rings are installed correctly.

NOTE: If the filter is **NOT** installed correctly it will be ineffective.

CAUTION Use ONLY genuine Windsor replacement parts to ensure effectiveness and safety.

DO NOT wash any filters.

MAINTENANCE

REMOVING BLOCKAGES

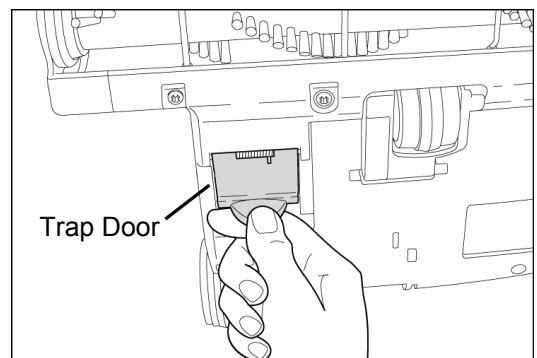
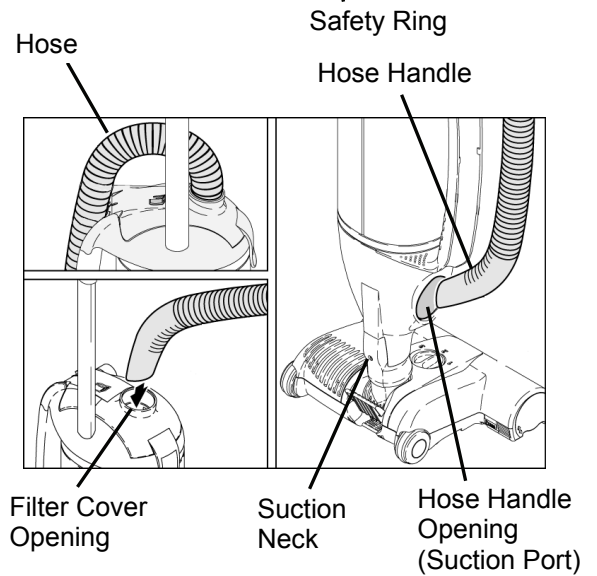
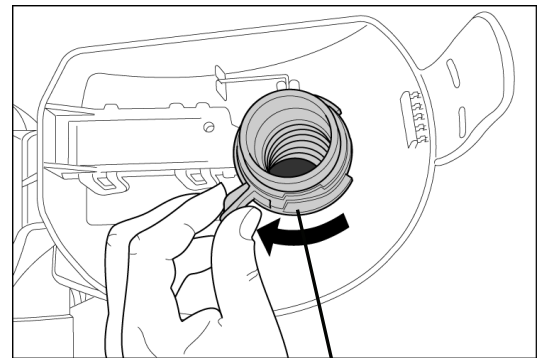
If your bag full indicator light remains lit after you have changed bags and/or filters this is an indication that there may be a blockage somewhere in your unit.

It is important to keep all areas of the system free from blockage, as this may damage your unit or its components.

- Check for suction at the end of hose. If you can only feel a small amount of suction, there is a block in your hose. To remove:
 1. Loosen the safety ring on the lid.
 2. Remove the hose from the machine.
 3. Reverse the airflow through the hose by putting the hose handle in the connecting tube of the filter cover.
 4. Stretch the hose in the spot where the blockage may be and open/close the end of hose until blockage is removed.
- Check the suction port at the opening for the hose handle. Remove any debris you may find.
- Check the suction neck of the power head. Remove any debris you may find.
- Check the trap-door on the bottom of the power head. Remove any debris you may find.
- Check between the suction neck and trap-door within the power head, as obstacles may become lodged in the travel path. Remove any debris you may find.



CAUTION Never clean down the hose with a stick or pointed object.



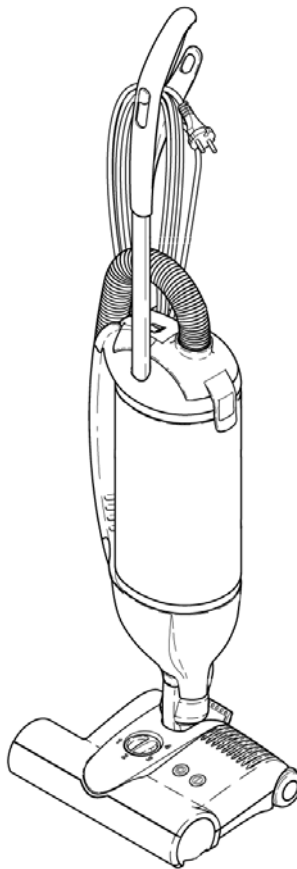
ACCESS



Instructions sure le fonctionnement (FRE)

MODELS: **ACCESS 12**
 1.012-061.0

ACCESS 15
1.012-062.0



Lisez les instructions avant d'utiliser la machine.

DONNÉES SUR LA MACHINE/REVUE

MODELE _____

DATE D'ACHAT _____

NUMERO DE SERIE _____

REPRESENTANT # _____

Copyright 2007 Windsor Industries, Printed in USA

VOTRE VENDEUR

Nom: _____

Adresse: _____

Téléphone: _____

TABLE DES MATIERES

<i>Données sur la machine/Revue.....</i>	<i>2</i>
<i>Table des matières.....</i>	<i>3</i>

COMMENT UTILISER CE MANUEL

<i>Comment utiliser ce manuel.....</i>	<i>1-1</i>
--	------------

SECURITE

<i>Importantes informations sur la sécurité.....</i>	<i>2-1</i>
--	------------

OPERATIONS

<i>Spécifications techniques.....</i>	<i>3-1</i>
<i>Composants.....</i>	<i>3-2</i>
<i>Commandes.....</i>	<i>3-2</i>
<i>Assemblage.....</i>	<i>3-3</i>
<i>Utilisation de la machine.....</i>	<i>3-3</i>
<i>Tête d'alimentation.....</i>	<i>3-4</i>
<i>Pédale.....</i>	<i>3-4</i>
<i>Indicateurs lumineux.....</i>	<i>3-5</i>

ENTRETIEN

<i>Rouleau à balai.....</i>	<i>4-1</i>
<i>Remplacement des filtres/du sac.....</i>	<i>4-1</i>
<i>Sac.....</i>	<i>4-1</i>
<i>Filtre de protection moteur.....</i>	<i>4-1</i>
<i>Filtre sur l'échappement.....</i>	<i>4-1</i>
<i>Elimination des bouchons.....</i>	<i>4-2</i>

LISTE DES PIECES DU GROUPE

<i>Tête d'alimentation.....</i>	<i>5-1</i>
<i>Accessoires optionnels.....</i>	<i>5-1</i>
<i>Pièces diverses.....</i>	<i>5-1</i>
<i>Liste de pièces.....</i>	<i>5-2</i>
<i>Diagrammes de câblage.....</i>	<i>5-6</i>
<i>Garantie.....</i>	<i>5-7</i>

COMMENT UTILISER CE MANUEL

Ce manuel comprend les parties suivantes

- COMMENT UTILISER CE MANUEL
- SECURITE
- OPERATIONS
- ENTRETIEN
- LISTE DEES PIECES

La partie COMMENT UTILISER CE MANUEL donne la manière de trouver des informations importantes pour commander des pièces correctes

Les pièces peuvent être commandées auprès de concessionnaires Windsor autorisés. Los de la commande de pièces, il est important de donner le modèle et le numéro de série. Se référer au tableau de données sur la machine fait pendant l'installation et votre machine. Le tableau de données sur la machine est situé à l'intérieur du couvercle avant de ce manuel.

MODELE _____
DATE D'ACHAT _____
NUMERO DE SERIE _____
REPRESENTANT # _____

Ce modèle et le numéro de série de votre machine sont en bas de l'arrière de la machine.

La partie SECURITE contient d'importantes informations sur les risques ou les pratiques insécurisées de la machine. Le niveau des risques est identifié et peut causer des dommages au produit ou des blessures personnelles, ou des blessures sévères causant la mort.

La partie OPERATIONS est destinée à familiariser l'opérateur avec l'opération et la fonction de la machine.

La partie ENTRETIEN contient un entretien préventif pour conserver la machine et ses composants en bon état de fonctionnement. Ils sont énumérés dans la commande globale.

- Filtres
- Blocages

La partie LISTE DES PIECES contient des illustrations de parties assemblées et les listes de pièces correspondantes. La liste des pièces comprend un certain nombre de colonnes de renseignements.

- **REF** – Cette colonne se réfère au numéro de référence de l'illustration des pièces
- **NO DE LA PIECE** – Cette colonne donne la liste des numéros des pièces.
- **N° PRV** – numéro de référence.
- **QUANTITE** – Cette colonne donne la liste des quantités de la pièce utilisée dans cette zone de la machine
- **DESCRIPTION** – Cette colonne est une courte description de la pièce.
- **NO DE SERIE.** – Cette colonne indique la première machine à laquelle s'applique la pièce. Si la conception de la machine a changé, cette colonne. Indique le numéro de série de la machine à laquelle elle s'applique. L'illustration principale présente le modèle le plus courant de la machine Les illustrations encadrées. présentent les modèles plus anciens. Si les colonnes comportent une astérisque (*) appeler le fabricant pour avoir le numéro de série.
- **NOTES** Les colonnes d'information ne sont pas indexées par les autres colonnes.

REMARQUES: Si un kit de service ou de choix est installé sur votre machine, assurez-vous que vous gardez les INSTRUCTIONS qui ont été livrées avec le kit. Elles contiennent des numéros de pièces de rechange qui sont nécessaires pour des commandes futures.

REMARQUES: Le nombre sur le coin gauche inférieur de la couverture est le numéro de la pièce pour ce manuel.

INSTRUCTIONS IMPORTANTES SUR LA SECURITE

Lors de l'utilisation d'appareils électriques, il faut toujours suivre des précautions de base, y compris ce qui suit :

LISEZ TOUTES LES INSTRUCTIONS AVANT D'UTILISER LA MACHINE.

AVERTISSEMENT: Pour réduire les risques d'incendie, d'électrocution ou de blessure

1. Ne laissez pas l'appareil branché. Débranchez-le de la prise s'il n'est pas utilisé et avant une visite.
2. Ne pas utiliser à l'extérieur ou sur des surfaces humides.
3. Ne pas utiliser près de jeunes enfants. Ne laissez pas utiliser comme jouet. Une attention étroite est nécessaire si on utilise près d'enfants ou par des enfants
4. Utilisez seulement selon la description dans ce manuel. Utilisez seulement les pièces recommandées par le fabricant
5. Ne pas utiliser avec un câble ou une prise endommagés. Si l'appareil ne fonctionne pas, il doit être abandonné, S'il y a des portes extérieures endommagées ou si cela a été mis dans l'eau, renvoyer au centre de réparations.
6. Ne pas tirer ou porter avec le câble, utiliser le câble comme poignée, fermer une porte sur un câble, ou tirer le câble autour d'angles vifs. Ne pas utiliser l'appareil sur le câble. Laissez le câble loin des surfaces chaudes.
7. Ne pas débrancher par tirage sur le câble. Pour débrancher, saisir la fiche, pas le câble.
8. Ne pas manipuler l'appareil ou le fiche avec des mains humides.
9. Ne pas mettre d'objet dans les ouvertures. Ne pas utiliser si des ouvertures sont bouchées. Gardez loin de la poussière; du coton, des cheveux et de tout ce qui peut réduire le débit d'air.
10. Gardez les cheveux, les vêtements lâches, les doigts et toutes les parties du corps loin des ouvertures et des pièces en mouvement. Ne pas mettre les doigts ou d'autres parties du corps dans le vide si ce n'est pas débranché
11. Ne pas ramasser quoi que ce soit qui brûle, fume, tel que des cigarettes, des allumettes ou des cendres chaudes
12. Ne pas utiliser sans sac à poussière et/ou autre filtre en place. Ne pas laver les filtres.
13. Arrêter toutes les commandes avant de débrancher.
14. Faire très attention lors du nettoyage d'escaliers.
15. Ne pas utiliser pour ramasser des liquides inflammables ou combustibles comme de l'essence, ni utiliser dans des zones qui peuvent en avoir contenu.
16. Les machines peuvent causer des incendies si elles sont utilisées près de vapeurs ou matières inflammables. Ne pas utiliser cette machine près de fluides, poussières ou vapeurs inflammables. L'entretien et les réparations doivent être faits par du personnel qualifié.
17. N'utiliser que des pièces de rechange identiques. Voir les instructions sur les réparations
18. Ne pas utiliser la machine comme marche
20. Si on l'utilise sur des tapis à peluche ou des tapis épais, ne pas laisser la machine à un endroit si elle est sous tension.
21. Ne pas réutiliser les sacs. Une fois pleins, jeter et remplacer par un sac neuf.
22. Toujours arrêter l'appareil avant la connexion ou la déconnexion de la buse motorisée.
23. Ne pas toucher aux rouleaux à brosse si la machine est branchée. Les brosses peuvent redémarrer sans prévenir. Pour réduire le risque de blessure par les pièces mobiles, débranchez avant toute réparation.
24. Le vide a une protection électronique contre les surcharges. L'alimentation se coupe si on l'utilise sur certains tapis. Si cela se produit, arrêter la machine, débrancher et rechercher le bourrage.. S'il n'y en a pas, réduire la charge sur les rouleaux de balais en réglant plus haut la hauteur des balais (jusqu'à 4)
25. Ranger l'aspirateur dans un endroit sec à température ambiante. Si l'aspirateur n'est pas utilisé, mettre le câble sur les crochets à câble.
26. Tout autre service doit être exécuté par un représentant autorisé pour le service

GARDEZ CES INSTRUCTIONS

INSTRUCTIONS VISANT LA MISE À LA TERRE

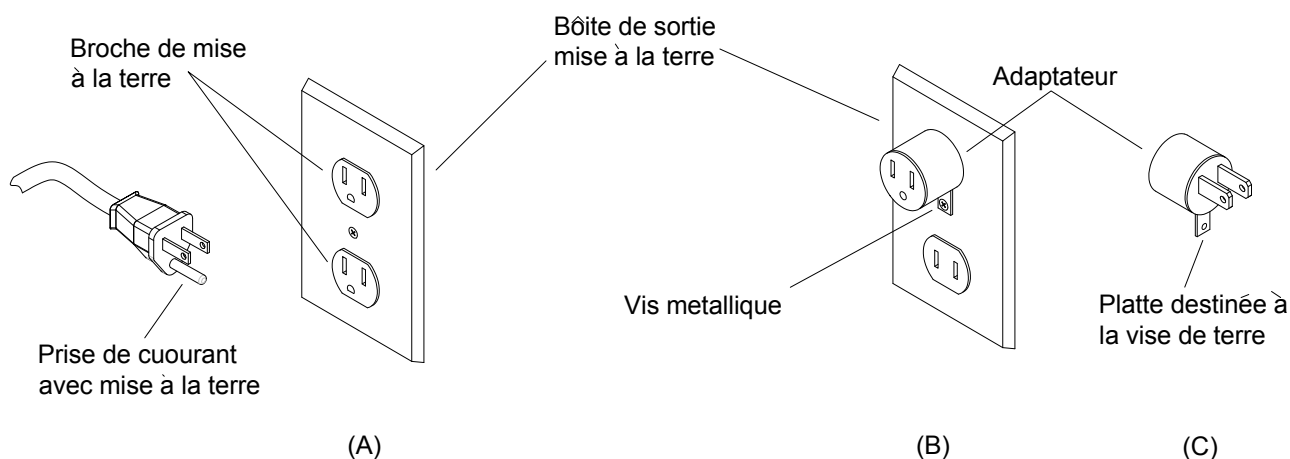
Cet appareil doit être mis à la terre. En cas de défaillance ou de panne éventuelles, la mise à la terre fournit au courant un chemin de moindre résistance qui réduit le risque de choc électrique. Cet appareil est pourvu d'un cordon muni d'un conducteur de terre et d'une fiche avec broche de terre. La fiche doit être branchée dans une prise appropriée correctement installée et mise à la terre conformément aux règlements et ordonnances municipaux.

AVERTISSEMENT

Un conducteur de terre mal raccordé peut entraîner un risque de choc électrique. Consulter un électricien ou un technicien d'entretien qualifié si vous n'êtes pas certain que la prise est correctement mise à la terre. Ne pas modifier la fiche fournie avec l'appareil si elle ne peut-être insérée dans la prise, faire installer une prise adéquate par un électricien qualifié.

Cet appareil est destiné à un circuit de 120 V et est muni d'une fiche de terre semblable à celle illustrée par le croquis A. Un adaptateur temporaire semblable à celui illustré par les croquis B et C peut être utilisé pour brancher cette fiche à une prise bipolaire comme l'illustre croquis B si une prise avec mise à la terre n'est pas disponible. L'adaptateur temporaire devrait être utilisé seulement jusqu'à ce qu'une prise avec mise à la terre soit installée par un électricien qualifié. L'oreille rigide ou le crochet ou autre dispositif semblable, de couleur verte, prolongeant adaptateur doit être raccordé à un élément correctement mis à la terre comme le couvercle d'une boîte de sortie mis à la terre. L'adaptateur doit être fixé par une vis métallique.

Note. Au Canada, l'utilisation d'un adaptateur temporaire n'est pas autorisée par le Code canadien de l'électricité.



MESURES DE PRECAUTIONS IMPORTANTES

Lire et suivre toutes les instructions de sécurité

ATTENTION: RISQUE DE CHOC ELECTRIQUE EN CAS D'USAGE A L'EXTERIEUR OU SUR SURFACE HUMIDE

Cet aspirateur est conçu pour fonctionner sans danger lorsqu'il est utilisé pour nettoyer. Au cas où des pièces mécaniques ou électriques étaient endommagées, l'aspirateur doit être réparé par WINDSOR ou une autre entreprise de services d'entretien qualifiée avant d'être utilisé à nouveau, afin d'éviter que d'autres dommages ne soient en causes à l'appareil ou qu'un accident n'arrive à l'utilisateur.

Un cordon électrique endommagé peut provoquer un choc électrique et/ou incendie. Pour limiter ce risque, il faut prendre les précautions suivantes :

Ne pas passer l'aspirateur sur le cordon électrique.

Eviter de coincer le cordon électrique dans les portes fermées, de le tendre sur des pourtours pointus ou de mettre des objets tranchants dessus.

Ne pas serrer plus que nécessaire pour enrouler le cordon autour des crochets qui le maintiennent en place.

Pour débrancher le cordon électrique, tirer au niveau de la prise. Tirer sur le cordon même risque d'endommager sa gaine isolante et les connexions intérieures avec la prise.

Votre appareil crée une aspiration et contient une brosse qui tourne. Pour éviter les accidents causés par l'aspiration ou par des pièces en mouvement dans l'appareil, la brosse de l'aspirateur doit être maintenue à l'écart de vêtements, de bijoux, des cheveux ou de parties du corps lorsque l'aspirateur est branché. Ne pas utiliser l'appareil pour aspirer les vêtements portés par l'utilisateur ou une autre personne. Maintenir les enfants à l'écart de l'aspirateur lorsqu'il est en marche ou branché.

Lorsqu'il est utilisé sur un tapis à longs poils ou un tapis épais arrêter l'aspirateur lorsque le manche est en position verticale. Pour utiliser les accessoires, maintenir la brosse écartée du tapis en gardant le manche en position bloquée et en l'abaissant d'une main pour soulever la brosse du tapis. Utiliser les accessoires avec l'autre main.

Veiller à toujours brancher votre aspirateur dans une prise de courant standard. L'usage d'un cordon de rallonge ou d'une douille de capacité de courant impropre risque de créer un choc électrique ou un danger d'incendie.

Ne pas brancher l'aspirateur avant de l'entretenir, par exemple, en changeant le sac ou la courroie. Si l'appareil se met en marche, un accident pourrait être provoqué par les pièces en mouvement de l'aspirateur. Débrancher le cordon avant de détacher la tête de l'aspirateur.

Ne pas utiliser l'aspirateur dans les endroits où il existe des vapeurs ou des poussières inflammables et/ou explosives pour éviter les risques d'incendie ou d'explosion. Certains produits liquides de nettoyage peuvent créer ce genre de vapeurs. Les surfaces qui ont été nettoyées à l'aide de ces produits doivent être complètement sèches et bien aérées avant qu'on ne puisse y passer l'aspirateur.

Afin d'éviter le danger d'incendie, ne pas aspirer d'allumettes, de cendres de cheminée ou de matières dégagées de la fumée.

Veiller à ce que l'endroit aspiré soit bien éclairé pour éviter d'aspirer des objets nuisibles (tels que liquides, objets tranchants ou matières inflammables) et de trébucher.

Faire preuve de prudence en utilisant l'aspirateur sur les surfaces irrégulières telles que des escaliers. La chute de l'aspirateur risque de provoquer un accident et/ou d'endommager l'appareil. Ranger l'aspirateur dans un endroit à l'écart immédiatement après l'avoir utilisé permet également d'éviter les accidents causés par le fait de trébucher sur l'appareil.

Ranger l'aspirateur à l'intérieur, dans un endroit frais et sec à l'abri des changements climatiques afin d'éviter un choc électrique et/ou l'endommagement de l'appareil.

Faire très attention lorsque l'aspirateur fonctionne à proximité des enfants ou s'ils l'utilisent eux-mêmes. Interdire aux enfants de jouer avec l'aspirateur et ne jamais le laisser branché et sans surveillance.

CONSERVER CES INSTRUCTIONS

SPECIFICATIONS TECHNIQUES

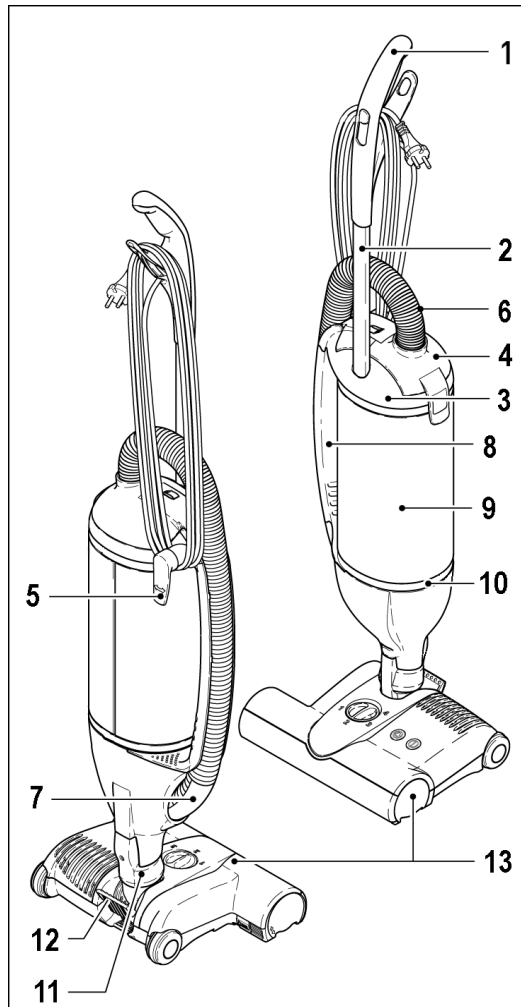
PARTIE ASPIRATEUR (Unité portable)

ELEMENT	DIMENSION/CAPACITE
Moteur de l'aspirateur	Performance élevée. Un étage
Puissance nominale	1000 Watts
Puissance maximale du moteur	1200 Watts
Aspiration	225 Mbar (2300 mm WS)
Prise d'eau	92 pouces (234 cm)
Débit d'air	102 cfm (48 l/s)
Capacité du sac filtrant	3,5 litres, 3 couches, chargement par le haut
Poids	
-Acess 12	17 lbs (7,7 kg)
-Acess 15	17.4 lbs (7,9 kg)
Dimensions – hauteur	48 pouces (123 cm)
Caisse	Moulage par injection, gros chocs Plastique ABS et PP
Câble	40 pouces (12 m) 18/3 SJT

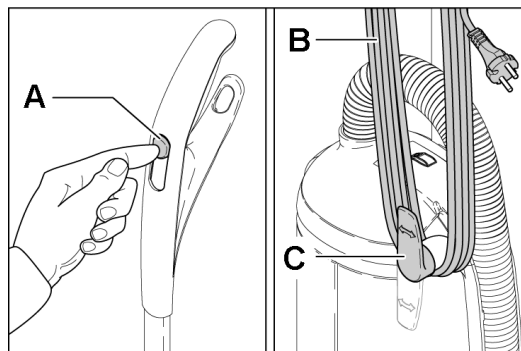
ALIMENTATION : (Unité détachable)

ELEMENT	DIMENSION/CAPACITE
Puissance du moteur à balais	
- 12 pouces (30 cm)	175 Watt
- 15 pouces (38 cm)	200 Watt
Largeur de travail	
-Acess 12	30 cm
-Acess 15	38 cm
Commande par balais	Courroie dentée non glissante, embrayage électronique de sécurité et commande de la vitesse.
Vitesse des balais	2700 t/m, (5400 contacts des balais/minute)
Roues	2 pouces (5,2 cm) de diamètre, caoutchoutées

COMPOSANTS/COMMANDES



- 1. Poignée
- 2. Tube
- 3. Logement du sac à poussière
- 4. Couvercle du filtre
- 5. Crochet du câble
- 6. Hôte
- 7. Poignée du tuyau
- 8. Poignée de transport
- 9. Filtre d'échappement
- 10. Bagues de retenue du filtre
- 11. Bascule
- 12. Pédale
- 13. Tête d'alimentation (12" – 30mm, ou 15" – 38 mm):



- A. Commutateur Marche/Arrêt
- B. Câble d'alimentation
- C. Crochet à câble

ASSEMBLAGE/ FONCTIONNEMENT

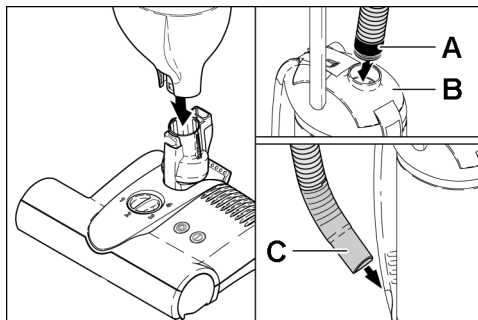
ASSEMBLAGE



ATTENTION :

Veillez lire toutes les instructions avant d'utiliser cette machine.

1. Attacher avec soin la buse à l'aspirateur en montant au bas de l'aspirateur jusqu'à verrouillage (voir ci-dessous)
2. Pousser l'extrémité noire du tuyau (A) dans la connexion dans le couvercle du filtre (B)
3. Insérer la poignée du tuyau (C) dans l'ouverture d'aspiration sur le côté et presser le tuyau à sa place à l'extrémité de la machine, comme illustré.



FONCTIONNEMENT

Votre l'aspirateur est utilisé avec une brosse électrique. Vous pouvez utiliser l'aspirateur lorsqu'il est en position debout.



ATTENTION :

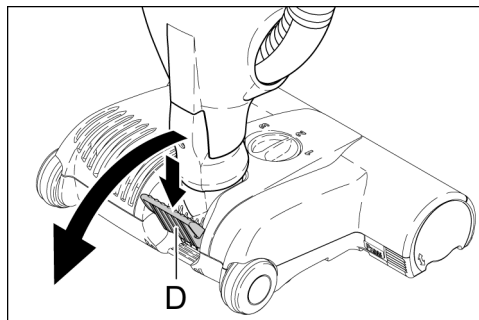
Quand on verrouille l'aspirateur en position debout, veuillez vous assurer que le logement du sacs est en place, avec la face en avant sinon l'unité peut se renverser.

Veillez vous assurer que le commutateur On/Off est sur la position OFF. Tourner le crochet du câble pour libérer le câble d'alimentation et brancher dans la prise de courant murale.

Vous pouvez maintenant démarrer la machine en mettant le commutateur sur la position ON.

Pour utiliser la tête d'alimentation (modèle 12" ou 15")

1. Appuyez sur la pédale (D) à l'arrière de la tête d'alimentation et abaisser la poignée en position angulaire. Le moteur à balais est alors sous tension.

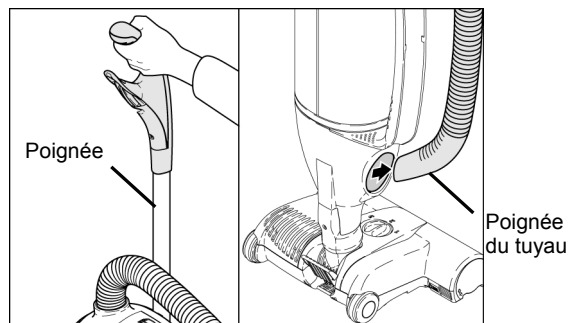


ATTENTION :

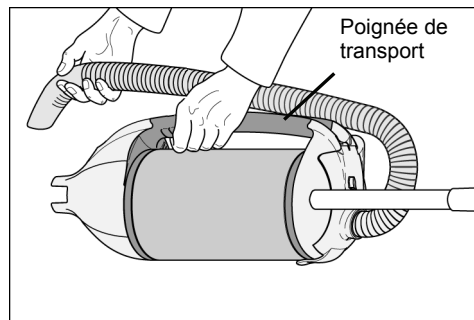
Lors de l'utilisation du tuyau

et accessoires, laissez la machine debout.

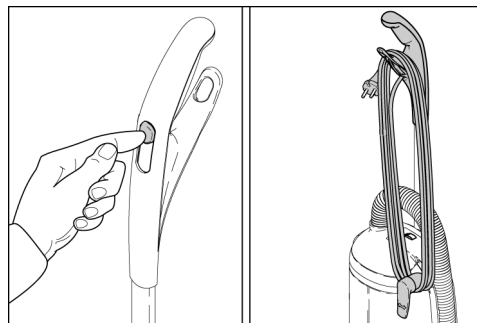
La poignée à tuyau peut être retirée du côté de l'aspirateur et peut être utilisée avec ou sans accessoires. Garder aussi la main sur la machine lors de l'utilisation du tuyau car elle peut basculer si le tuyau est trop tiré.



La machine peut aussi être utilisée sans tête d'alimentation. Vous pouvez facilement porter la machine en utilisant la poignée de portage.



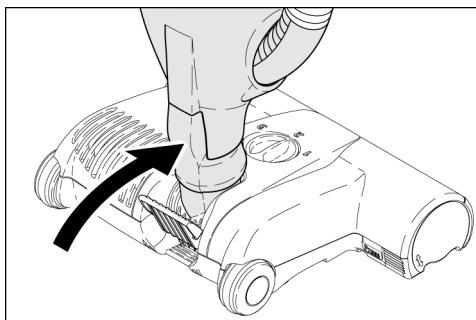
Lorsque vous avez fini d'utiliser la machine, arrêtez la en mettant le commutateur en position OFF. Puis débranchez la fiche du câble et entourez le sur la crochets à câble.



ATTENTION :

Instructions importantes sur l'utilisation de la tête d'alimentation.

Le rouleau à brosses est arrêté si la machine est en position debout et si la poignée est bien verrouillée en place.



REMARQUES: Si la poignée de la machine est selon un angle, le rouleau à balais tourne.

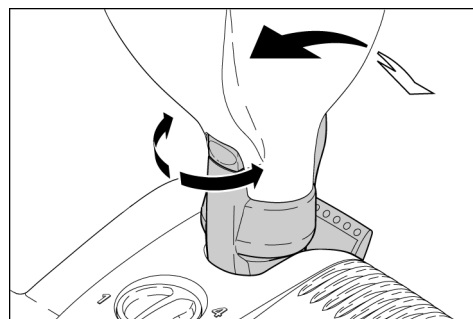
En laissant la machine dans une position stationnaire pendant un temps long alors que le rouleau à balais tourne, ceci peut endommager le tapis.

Points recommandés à surveiller concernant votre l'aspirateur.

- **Ne laissez pas** les bords du tapis ou les franges entrer dans les balais
- Cette machine peut endommager les tapis tissés, les tapis en boucles, les tapis veloutes ou les couvertures de sols douces et sensibles.
- Nous **ne recommandons pas** l'utilisation de la tête d'alimentation pour nettoyer des vieux ou spécialement coûteux tapis
- Si vous avez un sol inégal, la partie métallique sous la machine peut griffer la surface
- Veuillez porter la machine au dessus de seuils élevés.

TETE D' ALIMENTATION

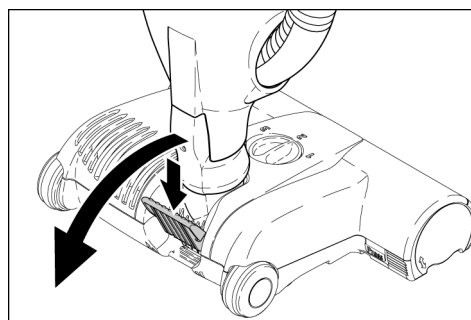
Le modèle tournant permet à la tête d'alimentation de se déplacer dans tous les sens, en la rendant facilement manœuvrable autour des obstacles.



La tête d'alimentation comporte aussi une hauteur réglable de balai et une action du balai au bord pour un nettoyage effectif général.

PEDALE

En poussant sur la pédale et en abaissant la poignée, vous actionnez la tête d'alimentation et les balais commencent à tourner.

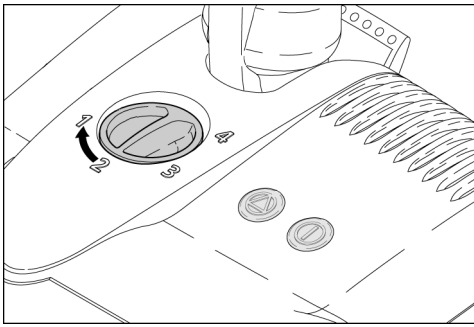


AVERTISSEMENT

Si vous ne poussez pas la pédale, vous risquez d'endommager la machine.

OPERATION

LUMIERES INDICATRICES



La commande électronique des balais surveille constamment l'état des balais, en communiquant cet état par la lampe de dessus.

Verte et Rouge. Le balai n'est pas entièrement engagé dans le tapis. La hauteur doit être réduite. Si le réglage de la hauteur est au plus bas, la brosse est usée et a besoin d'être remplacée.

Lampe Verte SEULE. La brosse fonctionne correctement .

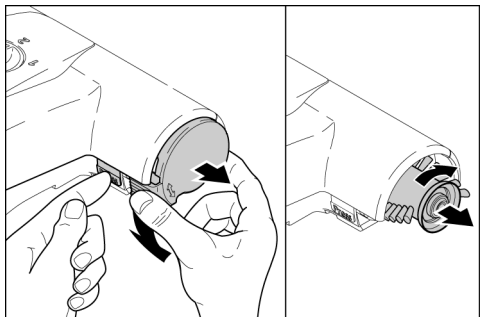
REMARQUES: Nous recommandons de choisir une hauteur de brosse qui n'est qu'à un niveau en dessous de celui auquel les lampes verte et rouge sont allumées.

Lampe Rouge SEULEMENT Le balai est bouché. Arrêter la machine, débranchez et enlevez le bouchon (voir la partie entretien).

ROULEAU A BALAI

Pour enlever le rouleau à balai appuyer sur le bouton et tourner vers le bas le roulement.

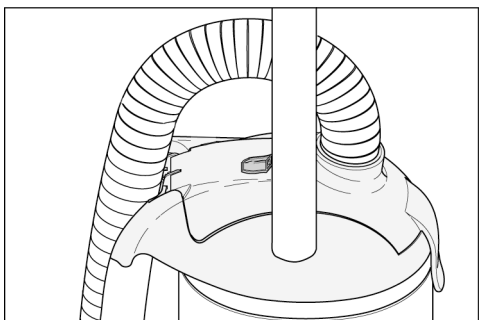
Tourner le balai légèrement vers la droite et le tirer pour le sortir.



Nous recommandons l'enlèvement régulier de fils et de cheveux qui ont été entourés sur le rouleau.

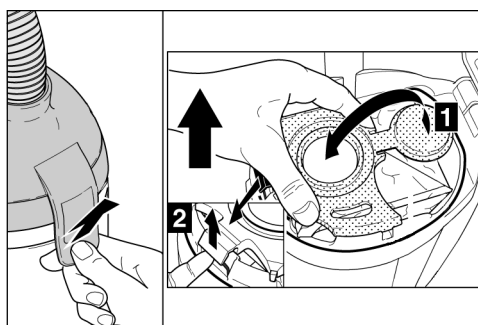
FILTRES

Lorsque l'indicateur orange du sac se voit, le débit d'air est réduit. Ceci pourrait être causé par le fait que le sac-filtre est plein, que les filtres sont bouchés ou qu'il y ait un bouchon.



CHANGEMENT DU SAC FILTRANT

1. Enlever le sac filtrant en ouvrant la trappe sur le côté du logement des sacs.
2. Fermez le sac avec le capuchon de fermeture et sortez le.



La procédure de remplacement de sac est illustrée sur le devant de chaque sac

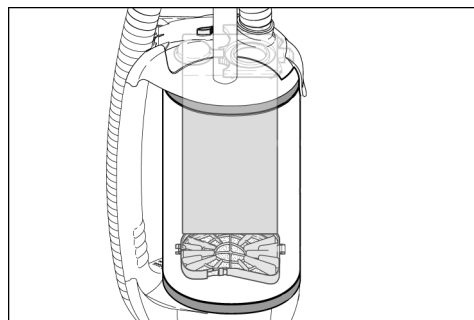
REMARQUES: On ne peut pas fermer le porte-sac si le sac est monté incorrectement.

CHANGEMENT DES FILTRES

Filter de protection du moteur

REMARQUES: On ne peut accéder à ce filtre qu'en sortant le sac

1. Soulevez le haut du filtre de protection du moteur par le coude
2. Remplacer par le nouveau.
3. Remettre en place le sac.

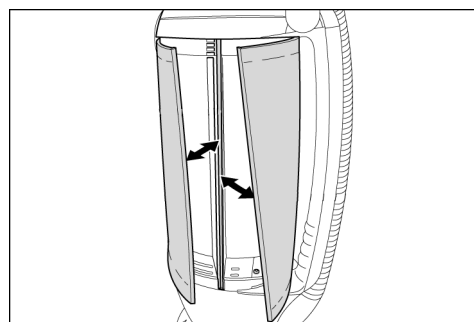


Le filtre doit être changé lorsqu'il est sale, au minimum. Pas plus tard que le remplacement de 20 sacs.

Filter d'échappement

REMARQUES: Recommandation de le remplacer chaque fois qu'on remplace la filtre de protection Moteur.

1. Enlever soigneusement les bagues de rétention du filtre et mettez les de côté.
2. Pousser les bandes de renfort du filtre pour les sortir par la fente.
3. Sortir le filtre du logement.
4. Remplacer par le nouveau filtre dans l'ordre inverse.



Assurez vous que le filtre est monté correctement dans la trappe du logement et que les sacs ainsi que les bagues de rétention.

REMARQUES: Si le filtre n'est pas monté correctement, il sera inefficace

! ATTENTION :

N'utiliser que des pièces d'origine Windsor pour garantir l'efficacité et le sécurité.

NE PAS LAVER les filtres

ENTRETIEN

ENLEVEMENT DES BOUCHONS

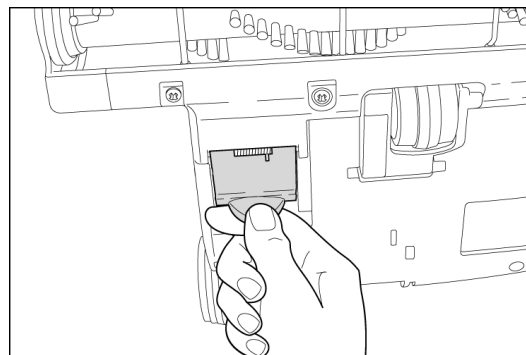
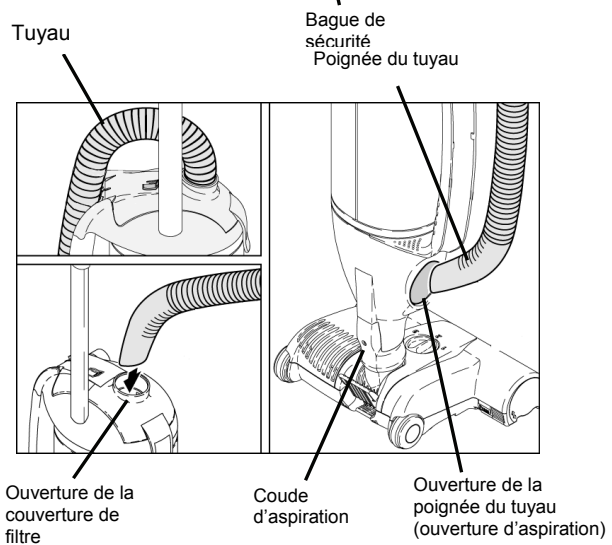
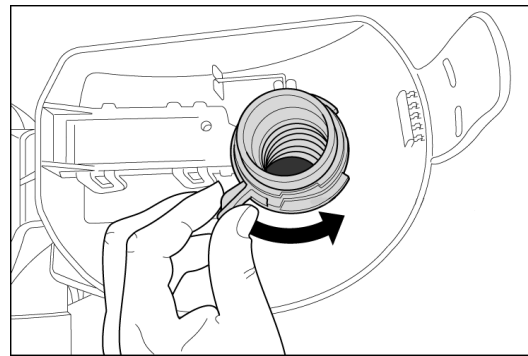
Si votre lampe indicatrice que le sac est plein reste allumée après le changement de sacs et/ou de filtres, ceci est une indication qu'il peut y avoir un bouchon quelque part dans l'unité.

Il est important de garder toutes les zones libres de bouchons car cela peut endommager votre machine ou ses composants.

- Vérifier l'aspiration en bout de tuyau. Si on ne peut sentir qu'une faible aspiration, il y a un bouchon dans votre tuyau.
Pour l'enlever:
 1. Libérer la bague de sécurité sur le couvercle.
 2. Enlever le tuyau de la machine.
 3. Inverser le débit d'air dans le tuyau en mettant la poignée du tuyau dans le tube de connexion du couvercle du filtre.
 4. Tirer sur le tuyau là où peut se trouver le bouchon et ouvrir/fermer l'extrémité du tuyau jusqu'à ce que le bouchon soit éliminé.
- Vérifier l'ouverture d'aspiration près de l'ouverture de la poignée du tuyau. Enlever tout débris trouvé.
- Vérifier l'aspiration de la tête d'alimentation. Eliminer tout débris que vous trouveriez.
- Vérifier la trappe en bas de la tête d'alimentation. Enlever tout débris trouvé.
- Vérifier entre le coude d'aspiration et la trappe dans la tête d'alimentation car des bouchons peuvent se loger sur le chemin. Enlever tout débris trouvé.

ATTENTION :

Ne jamais nettoyer le tuyau avec un bâton ou un objet pointu.



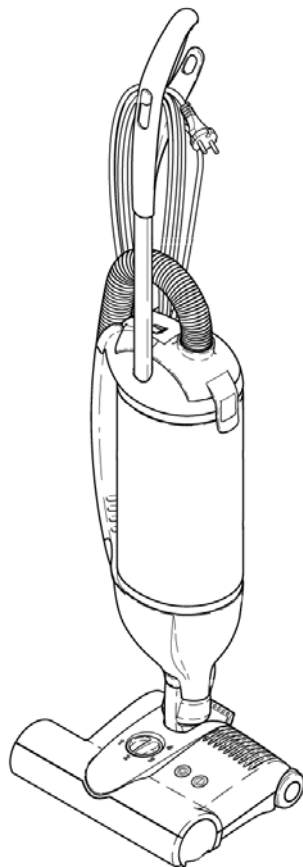
AXCESS



Instrucciones de funcionamiento (SPA)

MODELS: *AXCESS 12*
 1.012-061.0

AXCESS 15
1.012-062.0



Lea las instrucciones antes de operar la máquina

REGISTRO DE DATOS DE LA MÁQUINA/RESEÑA

MODELO _____

FECHA DE COMPRA _____

NÚMERO DE SERIE _____

REPRESENTANTE DE VENTAS _____

Copyright 2007 Windsor Industries, Printed in USA

SU DISTRIBUIDOR

Nombre: _____

Domicilio: _____

Número de teléfono: _____

<i>Registro de datos de la máquina/descripción.</i>	2
<i>Índice</i>	3

CÓMO UTILIZAR EL MANUAL

<i>Cómo utilizar el manual</i>	1-1
--------------------------------------	-----

SEGURIDAD

<i>Instrucciones importantes de seguridad</i>	2-1
---	-----

FUNCIONAMIENTO

<i>Especificaciones técnicas</i>	3-1
<i>Componentes</i>	3-2
<i>Controles</i>	3-2
<i>Ensamblado</i>	3-3
<i>Funcionamiento de la máquina</i>	3-3
<i>Cabezal motor</i>	3-4
<i>Pedal de pie</i>	3-4
<i>Luces indicadoras</i>	3-5

MANTENIMIENTO

<i>Rodillo cepillador</i>	4-1
<i>Reemplazo del filtro o de la bolsa</i>	4-1
<i>Bolsa del filtro</i>	4-1
<i>Filtro de protección del motor</i>	4-1
<i>Filtro del escape</i>	4-1
<i>Eliminación de bloqueos</i>	4-2

LISTA DE PIEZAS DE RECAMBIO

<i>Cabezal motor</i>	5-1
<i>Accesorios opcionales</i>	5-1
<i>Piezas varias de recambio</i>	5-1
<i>Lista de piezas</i>	5-2
<i>Esquemas eléctricos</i>	5-6
<i>Garantía</i>	5-7

CÓMO UTILIZAR EL MANUAL

El manual contiene las siguientes secciones:

- CÓMO UTILIZAR EL MANUAL
- SEGURIDAD
- FUNCIONAMIENTO
- MANTENIMIENTO
- LISTA DE PIEZAS

La sección CÓMO UTILIZAR EL MANUAL le indica cómo encontrar la información importante necesaria para pedir las piezas de recambio correctas.

Las piezas pueden solicitarse a los distribuidores autorizados de Windsor. Al realizar el pedido de piezas, es importante saber el modelo y el número de serie de la máquina. Consulte el registro DATOS DE LA MÁQUINA que se completó durante la instalación de la máquina. Dicho registro de DATOS DE LA MÁQUINA está situado en la parte interior de la portada de este manual.

MODELO _____
FECHA DE COMPRA _____
NÚMERO DE SERIE _____
REPRESENTANTE DE VENTAS _____

El modelo y número de serie de su máquina están ubicados en el extremo inferior de la parte posterior de la máquina.

La sección SEGURIDAD contiene información importante acerca de los usos de la máquina que pueden resultar peligrosos o poco seguros. Se identifican los niveles de riesgo que pueden ocasionar lesiones personales o dañar el producto, y aquellos que pueden provocar lesiones graves que ocasionen la muerte.

El objetivo de la sección FUNCIONAMIENTO es familiarizar al operario con el manejo y el funcionamiento de la máquina.

La sección MANTENIMIENTO incluye instrucciones sobre mantenimiento preventivo, para mantener la máquina y sus componentes en buenas condiciones de funcionamiento. Están clasificadas en el siguiente orden general:

- Filtros
- Bloqueos

La sección LISTA DE PIEZAS contiene ilustraciones de las piezas ensambladas y la correspondiente lista de piezas. Incluye además varias columnas con información:

- **REF** – esta columna se refiere al número de referencia en la ilustración de piezas.
- **No DE PIEZA** – esta columna indica el número correspondiente a la pieza.
- **PRV NO.** – número de referencia
- **CANT** – esta columna enumera la cantidad de piezas usadas en esa parte de la máquina.
- **DESCRIPCIÓN** – esta columna es una breve descripción de la pieza.
- **No DE SERIE DESDE** – esta columna indica la primera máquina a la que se puede aplicar el número de la pieza. Si cambia el diseño de la máquina, esta columna indica el número de serie de la máquina aplicable. La ilustración principal muestra el diseño más actual de la máquina. Las ilustraciones en los cuadros muestran diseños anteriores. Si la columna contiene un asterisco (*), llame al fabricante para conocer el número de serie.
- **NOTAS** – esta columna contiene la información no incluida en las otras columnas.

NOTA: Si en la máquina se incluye un juego de servicio u opciones, asegúrese de conservar las **INSTRUCCIONES DEL JUEGO** que acompañan al mismo. Éste contiene los números de piezas de recambio necesarios para solicitar piezas en el futuro.

NOTA: El número en la esquina izquierda más baja de la portada es el número para este manual.

INSTRUCCIONES IMPORTANTES DE SEGURIDAD

Al usar un aparato eléctrico, siempre se deben tomar precauciones básicas, entre las que se incluyen las siguientes:

LEA TODAS LAS INSTRUCCIONES ANTES DE UTILIZAR LA MÁQUINA.

ADVERTENCIA: Para reducir el riesgo de incendio, descargas eléctricas y lesiones:

1. No deje la máquina enchufada. Debe desenchufarla cuando no se encuentra en uso y antes de repararla.
2. No la utilice en el exterior o en superficies mojadas.
3. No la utilice cerca de niños pequeños. No permita que se la emplee como juguete. Preste mucha atención cuando sea utilizada por niños o cerca de ellos.
4. Utilícela sólo del modo descrito en este manual. Utilice solamente los accesorios recomendados por el fabricante.
5. No la utilice si el cable o el enchufe están dañados. Si la máquina no funciona adecuadamente, se ha caído, ha sufrido daños, fue olvidada en el exterior, o ha caído al agua, llévela a un servicio técnico.
6. No tire de la máquina ni la traslade tomándola del cable, no utilice el cable como una manija, no enganche el cable con las puertas ni lo enrosque alrededor de bordes o ángulos filosos. No haga funcionar la máquina sobre el cable. Mantenga el cable alejado de superficies calientes.
7. No desenchufe la máquina tirando del cable. Para desenchufarla, tire del enchufe, no del cable.
8. No manipule el enchufe ni la máquina con las manos húmedas.
9. No coloque objetos en las aberturas. No utilice la máquina si alguna abertura está bloqueada, manténgala libre de polvo, pelusas, cabellos y de todos los objetos que pueden reducir el caudal de aire.
10. Mantenga el cabello, la ropa holgada, los dedos y todas las partes del cuerpo alejadas de las aberturas y de las piezas móviles. No coloque los dedos ni otras partes del cuerpo debajo de la aspiradora a menos que se encuentre desenchufada.
11. No aspire objetos que estén ardiendo o humeando, como cigarrillos, cerillas o cenizas calientes.
12. No utilice la máquina si la bolsa o los filtros no están en su lugar. No lave los filtros.
13. Desconecte todos los controles antes de desenchufar la máquina.
14. Sea extremadamente precavido al limpiar escaleras.
15. No utilice la máquina para aspirar líquidos inflamables o combustibles tales como gasolina ni la utilice en superficies donde hayan estado dichos líquidos.
16. La máquina puede provocar un incendio al funcionar cerca de vapores o materiales inflamables. No maneje la máquina cerca de fluidos, polvo o vapores inflamables.
17. Personal debidamente capacitado debe realizar el mantenimiento y las reparaciones.
18. Utilice únicamente piezas de reemplazo idénticas. Consulte las instrucciones para realizar la reparación de las máquinas.
19. No utilice la máquina como escalera.
20. Si se la utiliza sobre alfombras afelpadas o alfombras espesas de fieltro no deje la máquina encendida en un solo lugar.
21. No utilice repetidamente las bolsas. Una vez que la bolsa está llena, deséchela y reemplácela por una nueva.
22. Apague siempre la máquina antes de conectar o desconectar la boquilla mecánica.
23. No toque el rodillo cepillador mientras la máquina está enchufada. El cepillado podría volver a comenzar de forma inesperada. Para reducir el riesgo de lesiones causadas por las piezas móviles desenchufe la máquina antes de repararla.
24. La aspiradora tiene un dispositivo electrónico de protección contra sobrecargas. El cabezal motor se puede apagar si se lo utiliza en determinadas alfombras. Si eso sucede apague la máquina, desenchúfela y verifique si está bloqueada. Si no lo está, reduzca la carga en el rodillo cepillador mediante el ajuste de la altura del cepillo a un nivel superior (de hasta 4)
25. Almacene la aspiradora en un lugar seco, a temperatura ambiente. Cuando no se utiliza la máquina se debe enrollar el cable en su gancho.
26. Todas las demás reparaciones debe realizarlas un representante de servicio técnico autorizado.

GUARDE ESTAS INSTRUCCIONES

Precauciones importantes

Los accidentes por uso inapropiado sólo podrán evitarse por las personas que utilicen la maquina. Para prevenirse de daños, deben observarse las precauciones básicas de seguridad, incluyendo las siguientes:

Lea y siga todas las instrucciones de Seguridad.

ADVERTEINCIA: SI SE UTILIZA AL AIRE LIBRE O SOBRE SUPERFICIES HÚMEDAS PRDRÍA OCURRIR UN CHOQUE ELÉCTRICO

Esta aspiradora se ha diseñado para ser segura cuando se utiliza para efectuar las funciones de limpieza. En caso de que llegara a ocurrir algún daño a las piezas eléctricas o mecánicas, la aspiradora deberá ser reparada por WINDSOR o alguna estación de servicio competente antes de usar a fin de evitar daño adicional a la máquina o lesión corporal al usuario.

Un cable eléctrico dañado podría causar choque eléctrico o incendio. Observe las siguientes precauciones para minimizar esta posibilidad:

No opere la máquina sobre el cable eléctrico.

Evite cerrar puertas sobre el cable, halarlo sobre bordes agudos colocar objetos con bordes agudos sobre él.

No enrolle el cable más apretado de lo necesario para que permanezca en los ganchos para ese efecto.

Al desconectar el cable eléctrico, tómelo de la clavija. Si hala el cable en si, podría dañar el aislamiento y las conexiones internas con la clavija.

Su aspiradora crea succión y contiene un cepillo giratorio. Para evitar lesiones corporales por la succión o debido a las piezas móviles, el cepillo de la aspiradora no deberá colocarse sobre, ni cerca de, prendas de vestir holgadas, joyería, cabello o superficies del cuerpo mientras esté conectada a una toma eléctrica. La aspiradora no deberá usarse para aspirar prendas de vestir en uso. Mantenga a los niños alejados de la aspiradora cuando ésta esté en funcionamiento o enchufada.

Si utiliza las aspiradoras en alfombras de felpa o de acolchado espeso, desconecte la unidad cuando la palanca de mando esté en posición vertical. Cuando utilice las herramientas accesorias, mantenga el cepillo para el piso alejado de la alfombra, manteniendo la palanca de mando en la posición trabada y bajando la palanca de mando con una mano para levantar el cepillo para el piso. Maneje los accesorios con la otra mano.

Siempre conecte la aspiradora en una toma de corriente de pared estándar. El uso de una extensión o portalámparas que no posean la capacidad de portar energía eléctrica correcta podría resultar en un choque eléctrico o peligro de incendio.

Desconecte la máquina antes de darle servicio, como por ejemplo, para cambiar las bolsas o las bandas. En caso de que la máquina se encendiera inadvertidamente, podría incurrir alguna lesión corporal a causa de las piezas móviles. Desconecte la máquina antes de retirar la cabeza principal. No utilice su aspiradora en áreas donde se encuentren, presentes vapores o polvos inflamables o explosivos para evitar la posibilidad de un incendio o explosión. Algunos líquidos para limpieza pueden producir dicho tipo de vapores. Las áreas donde se han utilizado líquidos para limpieza deberán dejarse secar por completo antes de aspirarse.

Para evitar el peligro de incendio, no aspire cerillos, cenizas de hoguera ni materiales humeantes.

Mantenga su área de trabajo bien iluminada para evitar aspirar materiales dañinos (como por ejemplo líquidos, objetos, agudos, o sustancias en combustión) y evitar accidentes por tropiezos.

Use cautela al operar la aspiradora sobre superficies irregulares, como por ejemplo escalones. Al caerse una máquina podría causar lesiones corporales o daños mecánicos. También se evitarán accidentes causados por tropiezos sobre la máquina si esta se guarda en un lugar adecuado donde no estorbe inmediatamente después de usarse.

Guarde su aspiradora en el interior en un área fresca y seca que no esté expuesta a los elementos para evitar choque eléctrico o daño a la máquina.

La supervisión deberá ser extremadamente estricta para evitar daños cuando la aspiradora se utilice en la presencia de niños o cuando se permita a un niño usarla. No permita que los niños jueguen con la aspiradora y nunca la deje conectada y desatendida.

GUARDE ESTAS INSTRUCCIONES

INSTRUCCIONES PARA LA PUESTA A TIERRA

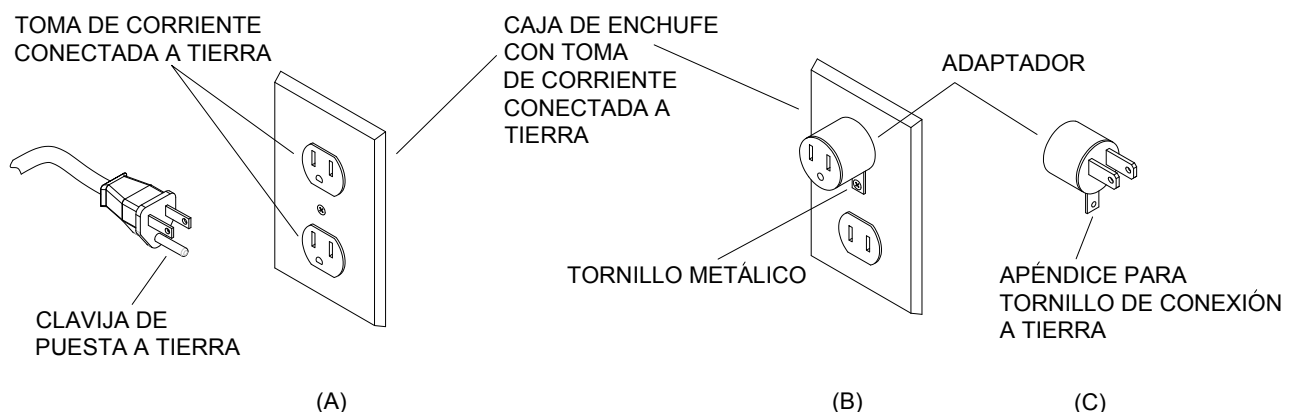
Este dispositivo tiene que ser puesto debidamente a tierra. Si se produce una avería o rotura, la conexión a tierra constituye el camino de menor resistencia para la corriente eléctrica, reduciéndose el riesgo de descargas peligrosas. El aparato cuenta con un cable con conductor de puesta a tierra y un enchufe con clavija de puesta a tierra. Hay que conectar el enchufe a una toma de corriente adecuada, instalada y puesta a tierra de acuerdo con las normas y ordenanzas locales.

ADVERTENCIA

Si se conecta de modo inadecuado el conductor de puesta a tierra del aparato pueden producirse descargas eléctricas peligrosas para el usuario. En caso de dudas, pedir a un electricista debidamente cualificado o a un técnico del servicio postventa que verifique que la toma de corriente está bien puesta a tierra. Si el enchufe suministrado con el aparato no se adapta a la toma de corriente disponible, no hay que modificar el enchufe, sino dirigirse a un electricista para que instale una toma de corriente adecuada.

El aparato está dimensionado para su conexión a una red de 120 Voltios de tensión nominal, y cuenta con un enchufe con clavija de puesta a tierra como el que se muestra en la figura A. Si no se dispone de una toma de corriente con puesta a tierra, puede utilizarse un adaptador temporal como el que se muestra en las figuras B y C para conectar el aparato a una toma de corriente de 2 polos como la que aparece en la figura B. Hay que emplear este adaptador solamente durante el tiempo necesario hasta que el electricista haya instalado una toma de corriente conectada debidamente a tierra (figura A). La lengüeta, argolla o elemento similar de color verde que sobresale del adaptador tiene que ser conectada a una toma de tierra permanente, tal como la cubierta metálica de puesta a tierra de la caja de enchufe. Siempre que se utilice el adaptado hay que mantener esta toma tierra en su posición con ayuda de un tornillo metálico.

Advertencia: en Canadá, la Canadian Electrical Code prohíbe el uso de adaptadores temporales.



ESPECIFICACIONES TÉCNICAS

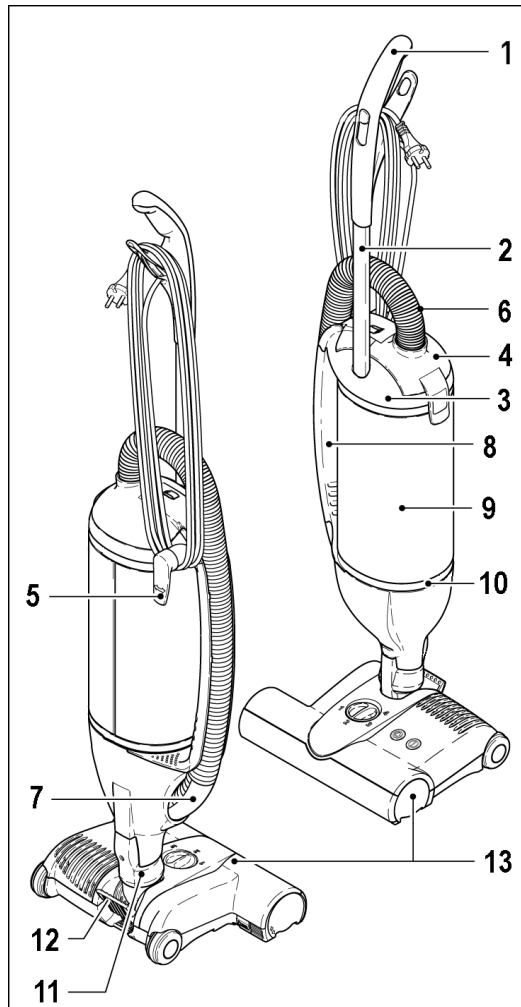
PIEZA DE ASPIRACIÓN: (Unidad transportable)

ELEMENTO	DIMENSIÓN/CAPACIDAD
Motor de aspiración	De alto rendimiento, de una sola etapa
Potencia nominal del motor de aspiración	1000 Vatios
Potencia máxima del motor de aspiración	1200 Vatios
Succión	225 Mbar (2300 mm WS)
Altura de agua	234 cm. (92 pulgadas)
Caudal de aire	102 cfm (48 l/s)
Capacidad de la bolsa del filtro	de 3,5 litros, 3 capas, incorporada, de carga superior
Peso	
-Acess 12	7,7 kg (17 libras)
-Acess 15	7,9 kg (17,4 libras)
Dimensiones - Altura	123 cm. (48 pulgadas)
Alojamiento	Moldeado por inyección, ABS de alto impacto y plástico PP
Cable	12 M (40 pulgadas) 18/3 SJT

CABEZAL MOTOR: (Cabezal desmontable)

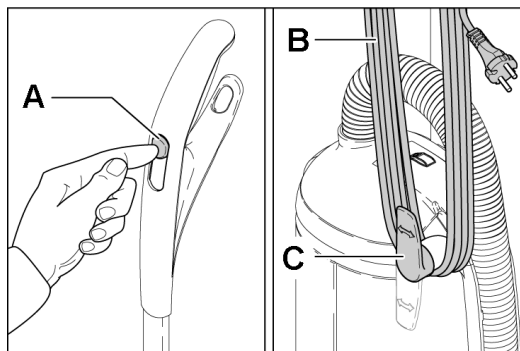
ELEMENTO	DIMENSIÓN/CAPACIDAD
Potencia nominal del motor del cepillo	
- 30 cm. (12 pulgadas)	175 Vatios
- 38 cm. (15 pulgadas)	200 Vatios
Ancho de limpieza del cabezal motor	
-Acess 12	30 cm
-Acess 15	38 cm
Accionamiento del cepillo	Correa dentada antideslizante, incorporada, embrague electrónico de seguridad y control de velocidad.
Velocidad de cepillado	2700 rpm (5400 contactos del cepillo por minuto)
Ruedas	5,2 cm (2 pulgadas) de diámetro, impregnadas de caucho

COMPONENTES/CONTROLES



1. Manija
2. Caño
3. Alojamiento de la bolsa
4. Cubierta del filtro
5. Gancho para el cable
6. Manguera
7. Manija de la manguera

8. Manija
9. Filtro de escape
10. Anillos de retención del filtro
11. Cuello giratorio
12. Pedal de pie
13. Cabezal motor (12" - 15")



- A. Interruptor de Encendido/ Apagado
- B. Cable de energía
- C. Gancho para el cable

ENSAMBLADO/FUNCIONAMIENTO

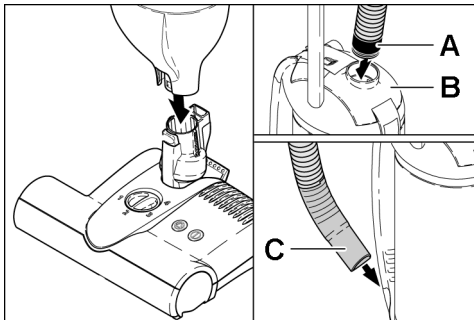
ENSAMBLADO



PRECAUCION

Por favor, lea todas las instrucciones antes de utilizar la máquina.

1. Conecte cuidadosamente la boquilla del cepillo a la aspiradora, a través del accesorio ubicado en la base de la aspiradora, hasta que quede trabada. [Ver a continuación]
2. Empuje el extremo negro de la manguera [A] dentro de la conexión ubicada en la tapa del filtro [B].
3. Inserte la manija de la manguera [C] en la abertura de succión ubicada al costado y presione la manguera hasta que quede en su sitio en el costado de la máquina, como se indica.



FUNCIONAMIENTO

La aspiradora aspiración funciona con un cepillo eléctrico. La máquina se puede usar en posición vertical.



PRECAUCION

Quando trabe la aspiradora en la posición vertical, por favor, verifique que el alojamiento de

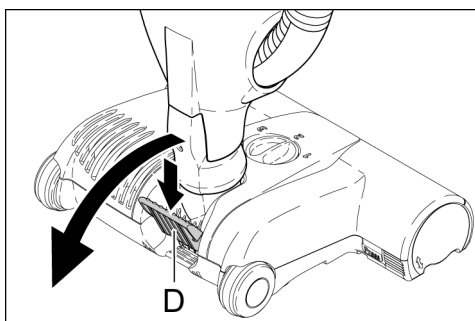
la bolsa esté bien cerrado, si queda hacia delante, hacia el centro de la unidad, podría volcarse.

Por favor, verifique que el interruptor de Encendido/Apagado (On/Off) esté en la posición Apagado (OFF). Gire el gancho para soltar el cable a fin de enchufarlo al tomacorriente principal de pared.

Ahora puede poner en marcha la máquina poniendo el interruptor en la posición Encendido (ON).

Para usar el cabezal motor (para el modelo de 12" ó 15"):

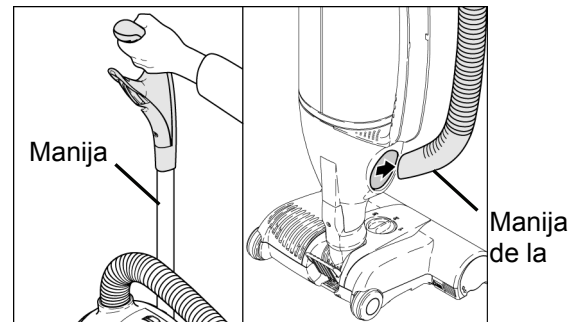
1. Oprima el pedal de pie [D] ubicado en la parte posterior del cabezal motor y baje la manija de la máquina hasta que quede en ángulo. Entonces se enciende el motor de los cepillos.



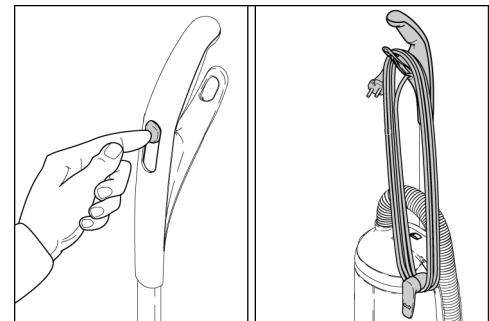
PRECAUCION

Quando utilice la manguera y los accesorios, mantenga la máquina en la posición vertical.

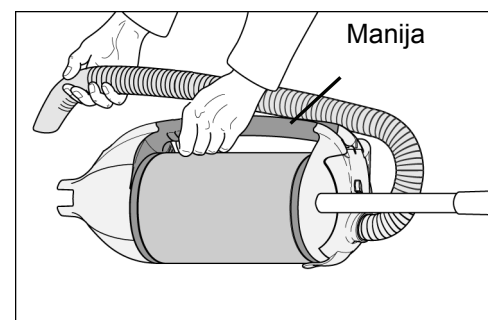
La manija de la manguera se puede extraer del costado de la aspiradora y se puede utilizar con o sin los accesorios. Mantenga bien agarrada la máquina cuando utilice la manguera ya que puede volcarse si se tira demasiado de la manguera.



La máquina también se puede usar sin el cabezal motor. Puede transportar fácilmente la máquina utilizando la manija.



Una vez que terminó de utilizar la máquina, apáguela moviendo el interruptor hasta la posición de Apagado (OFF). Luego desenchufe el cable y enrésquelo en el gancho y la manija.

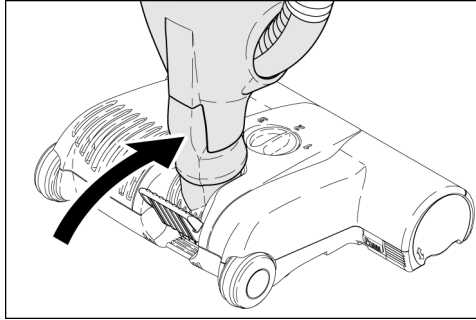


PRECAUCION

Instrucciones importantes relacionadas con el

cabezal motor.

Cuando la máquina está en posición vertical y la manija está trabada completamente en su lugar, el rodillo cepillador se apaga y se detiene.



NOTA: Si mantiene la manija de la máquina en ángulo, el rodillo cepillador girará.

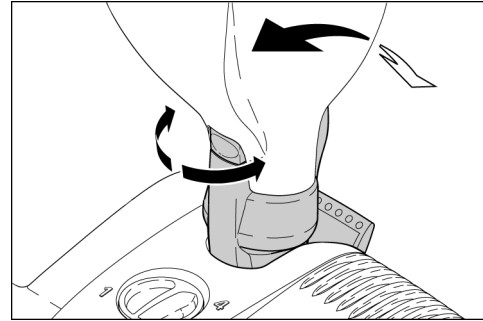
Si deja la máquina en la misma posición durante mucho tiempo mientras el rodillo cepillador está girando puede dañarse la alfombra.

Información importante que debe tener presente para la operación de la máquina de aspiración

- Asegúrese de que **NO** se introduzcan en el cepillo los bordes de las alfombras ni los flecos.
- Esta máquina podría dañar las alfombras o los tapetes con trama abierta, las alfombras de lana, las alfombras tupidas o los revestimientos para pisos muy suaves y sensibles.
- **NO** se recomienda el uso del cabezal motor para limpiar alfombras artesanales antiguas o especialmente valiosas.
- Si el piso es desigual, la pieza metálica ubicada debajo de la máquina puede rayar las superficies.
- Por favor, levante la máquina para subir umbrales altos.

CABEZAL MOTOR

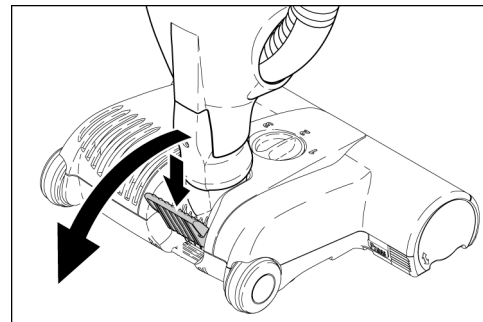
El diseño rotativo del cuello giratorio permite que el cabezal motor se mueva en todas direcciones, facilitando su manipulación cuando hay obstáculos.



El cabezal motor tiene también altura regulable del cepillo y puede limpiar hasta el borde para lograr una limpieza eficaz y completa.

PEDAL DE PIE

Si oprime el pedal de pie y baja la manija, se activa el cabezal motor y el cepillo comienza a girar.

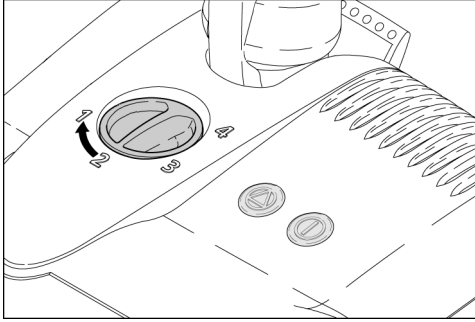


ADVERTENCIA

La unidad sufrirá daños en caso de no utilizar el Pedal de Pie.

FUNCIONAMIENTO

LUCES INDICADORAS



El control electrónico del cepillo supervisa constantemente el estado del cepillo y lo transmite mediante las luces ubicadas en la parte superior.

Verde y Roja: El cepillo no está totalmente enganchado en la alfombra. Se debe bajar el ajuste de la altura. Si el ajuste de la altura está en la posición más baja, el cepillo está desgastado y es necesario reemplazarlo

SOLO luz Verde: El cepillo funciona bien.

NOTA: Se recomienda elegir una altura para el cepillo que se encuentre sólo un nivel por debajo de aquel en el que las luces verde y roja están prendidas.

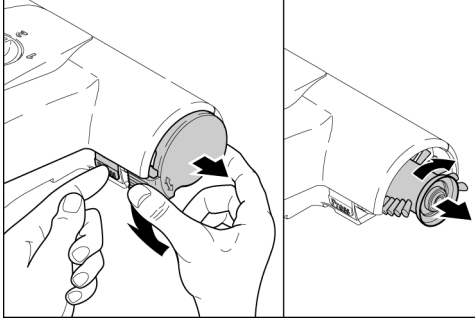
SOLO luz Roja: El cepillo está bloqueado.

Apague la máquina, desenchúfela y desbloquee el cepillo. [Consulte la sección sobre mantenimiento]

RODILLO CEPILLADOR

Para sacar el rodillo cepillador, oprima el botón y gire el cojinete hacia abajo.

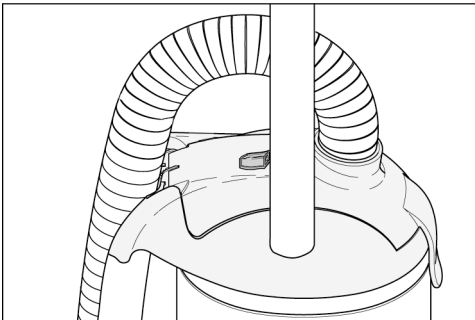
Gire el cepillo levemente hacia la derecha y tire del mismo hacia afuera.



Recomendamos eliminar regularmente los hilos y los cabellos que quedan enroscados en el rodillo cepillado.

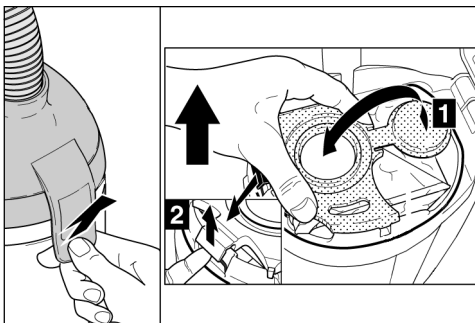
FILTROS

Cuando el indicador naranja señala que la bolsa está llena se reduce el flujo de aire. Esto puede suceder si la bolsa del filtro está llena, si los filtros están obturados o si el cepillo está bloqueado.



CAMBIO DE LA BOLSA DEL FILTRO

1. Saque la bolsa del filtro abriendo el seguro ubicado en el costado del alojamiento de la bolsa.
2. Cierre la bolsa del filtro con el tapón hermético y levántela



El procedimiento para reemplazar la bolsa se ilustra en el frente de cada bolsa.

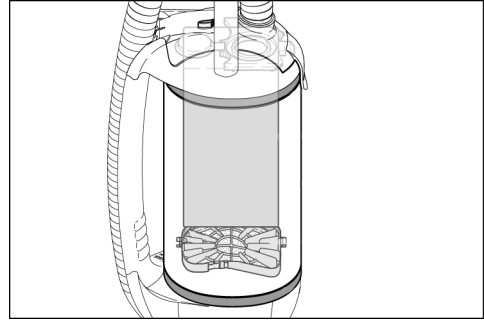
NOTA: No se puede cerrar el alojamiento de la bolsa si la misma no está colocada correctamente.

CAMBIO DE LOS FILTROS

Filtro de protección del motor

NOTA: Sólo se puede acceder a este filtro sacando la bolsa del filtro.

1. Levante el filtro de protección del motor usando el soporte.
2. Reemplácelo con uno nuevo.
3. Vuelva a poner la bolsa del filtro en su lugar.

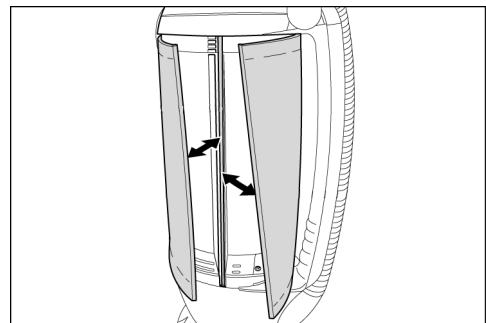


Se debe cambiar el filtro como mínimo cuando está sucio. Antes de reemplazar 20 bolsas del filtro.

Filtro del escape

NOTA: Se recomienda reemplazarlo cada vez que reemplace el filtro de protección del motor.

1. Saque cuidadosamente los anillos de retención del filtro y colóquelos a un costado.
2. Saque las bandas de refuerzo del filtro a través de la ranura del alojamiento.
3. Saque el filtro del alojamiento.
4. Reemplácelo con uno nuevo siguiendo el orden inverso.



Compruebe que el filtro está bien colocado en la ranura del alojamiento y que los anillos de retención están colocados correctamente.

NOTA: Si **NO** coloca bien el filtro no funcionará eficazmente.

PRECAUCION

Utilice **SOLAMENTE** piezas de reemplazo Windsor originales para asegurar efectividad y seguridad.

NO lave los filtros.

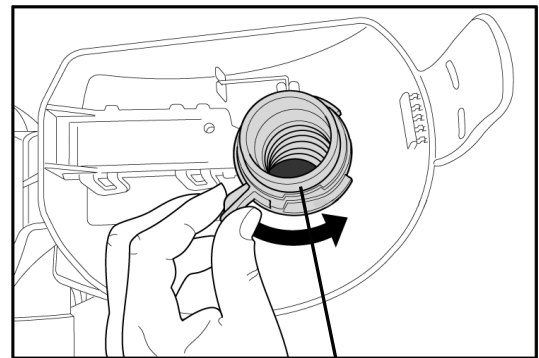
MANTENIMIENTO

DESBLOQUEO DE LA MÁQUINA

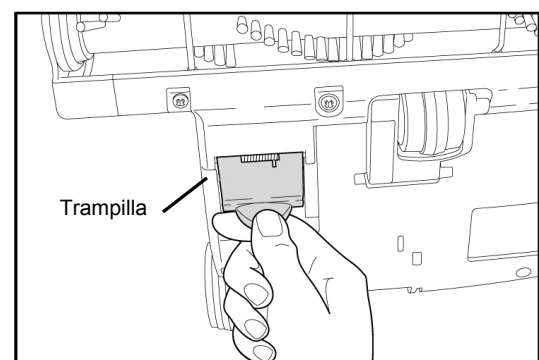
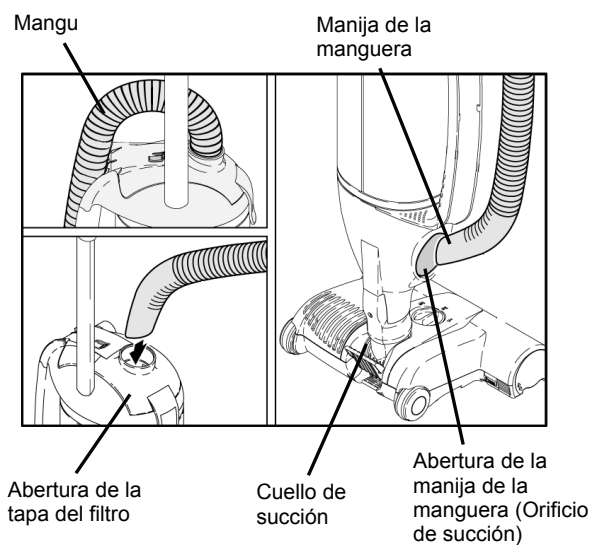
Si el indicador de bolsa llena sigue encendido después de cambiar las bolsas y / o los filtros, indica que alguna parte de la unidad puede estar bloqueada.

Es importante mantener libres de bloqueos a todas las partes del sistema ya que los mismos pueden dañar su unidad o sus componentes.

- Verifique si existe succión en el extremo de la manguera. Si hay poca succión significa que la manguera está bloqueada. Para eliminar el bloqueo:
 1. Afloje el anillo de seguridad ubicado en la tapa.
 2. Retire la manguera de la máquina.
 3. Invierta el flujo de aire que pasa a través de la manguera, colocando la manija de la manguera en el tubo de conexión de la tapa del filtro.
 4. Estire la manguera en el punto donde supone que se encuentra el bloqueo y abra / cierre el extremo de la manguera hasta eliminar el bloqueo.
- Verifique el orificio de succión ubicado en la abertura de la manija de la manguera. Elimine los residuos que encuentre.
- Verifique el cuello de succión del cabezal motor. Elimine los residuos que encuentre.
- Verifique la trampilla ubicada en la base del cabezal motor. Elimine los residuos que encuentre.
- Verifique el paso entre el cuello de succión y la trampilla dentro del cabezal motor ya que los obstáculos pueden quedar atrapados en el mismo. Elimine los residuos que encuentre.



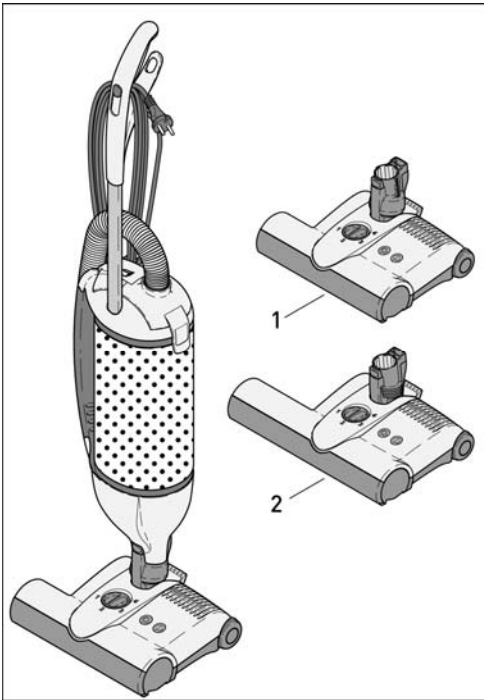
Anillo de seguridad



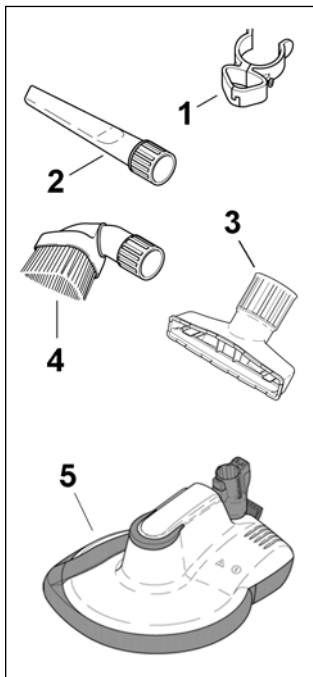
No limpie **nunca** la manguera con un palo ni con

objetos puntiagudos.

POWER HEAD

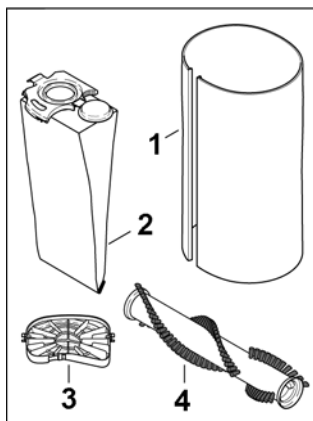


Ref	Part No.	Description	Notes
1	86324000	POWER HEAD 12"	Axcess 12
2	86324010	POWER HEAD 15"	Axcess 15



OPTIONAL ATTACHMENTS

Ref	Part No.	Prv. No.	Description	Notes
1	86322440	1081DG	CLIPS, ATTACHMENT, DK GRAY	
2	86322450	1092DG	CREVICE TOOL, DK GRY	
3	86146290	1491DG	UPHOLSTERY NOZZLE, DK GRY	
4	86138400	1094DG	DUSTING BRUSH, DK GRAY	
5	86323990	-	AXCESS POLISHER POWER HEAD	

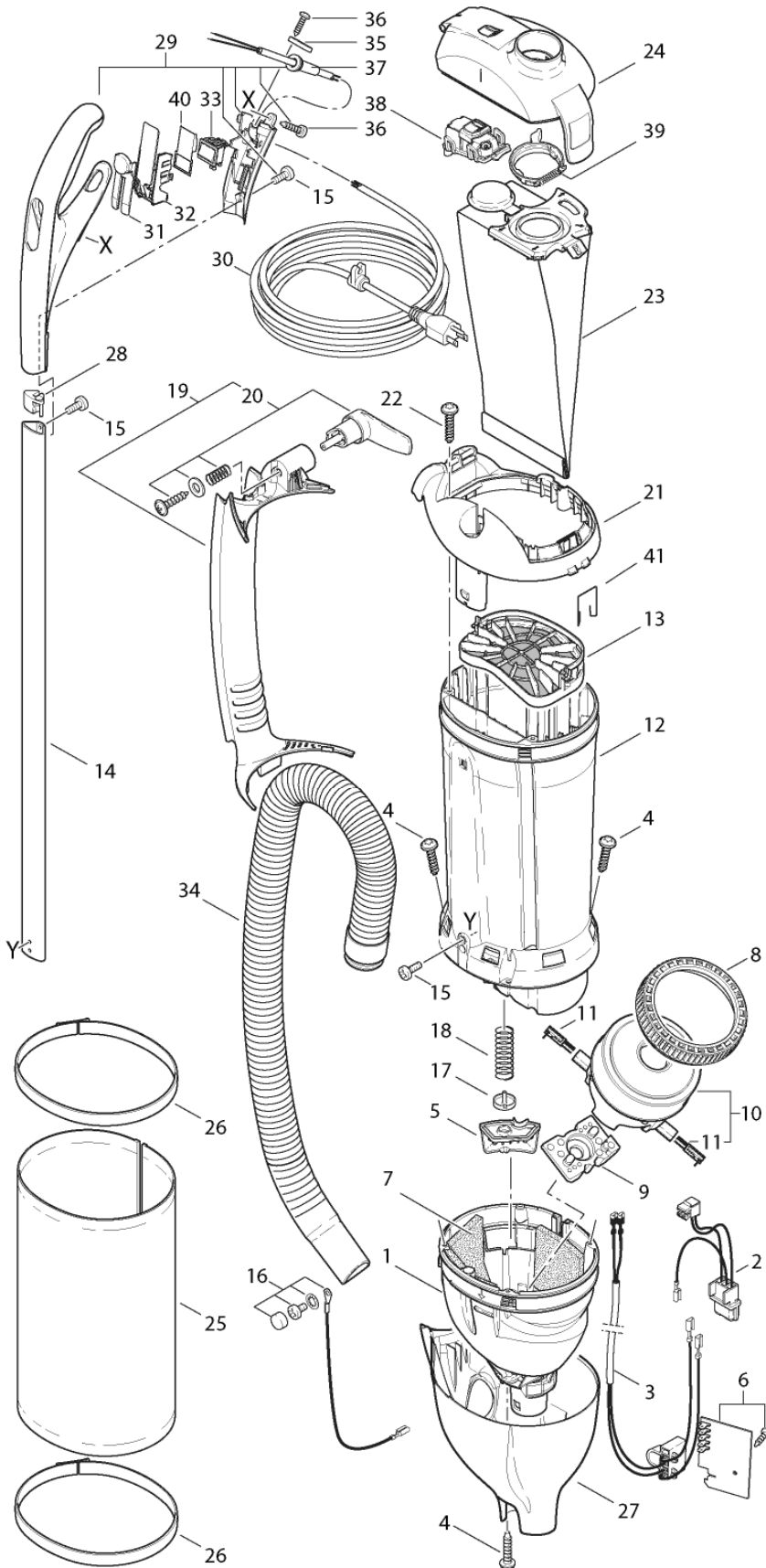


SPARE PARTS

Ref	Part No.	Prv. No.	Description	Notes
1	86309330	7095WI	FILTER, EXHAUST	
2	86284790	7029WI	FILTER BAG	
3	86284770	7012	FILTER, MOTOR PROTECTION	
4A	86004950	5010WI	BRUSH ROLLER 12"	Axcess 12
4B	86138490	2838WI	BRUSH ROLLER 15"	Axcess 15

AXCESS 12

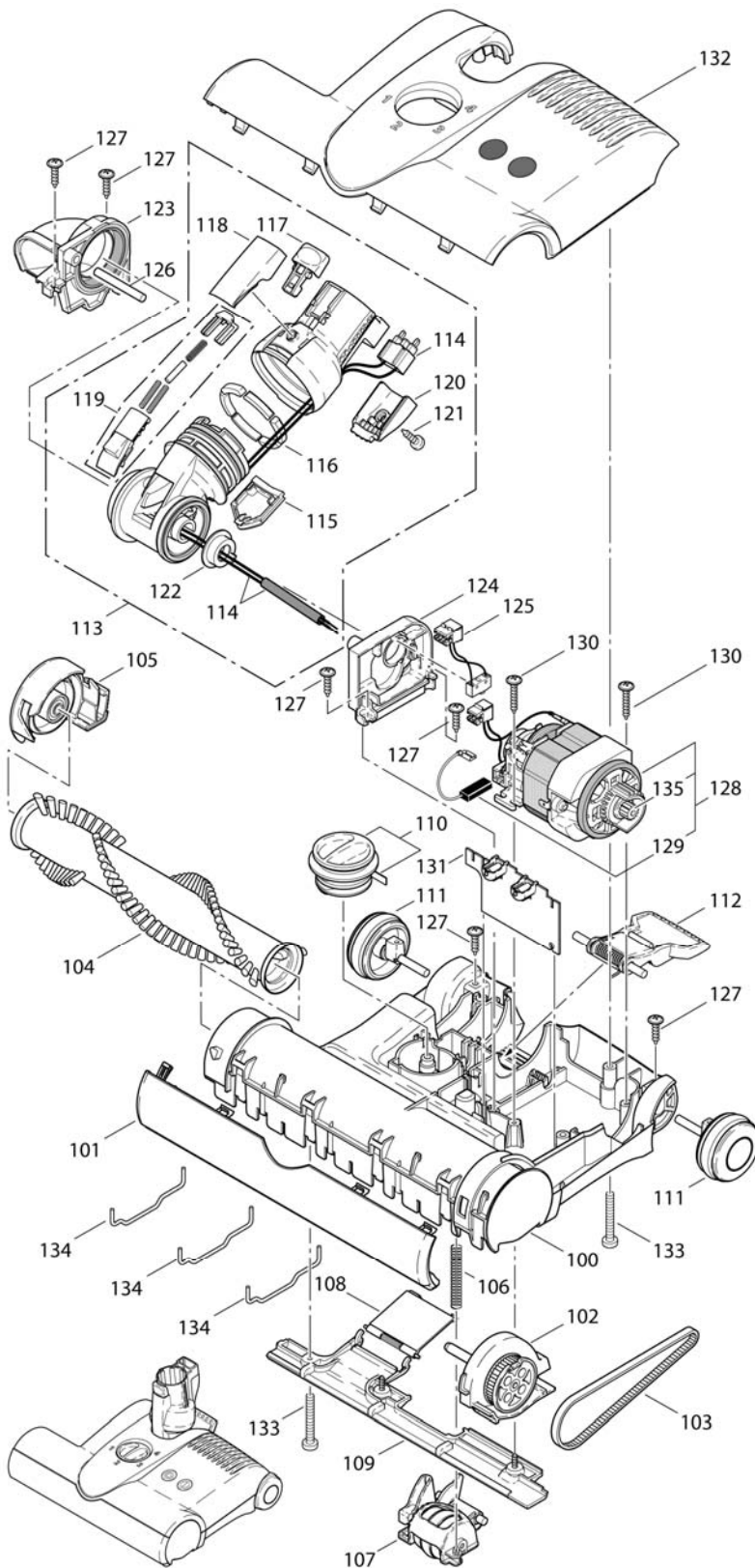
120V



POS.	PRODUCT CODE	PRV NO.	DESCRIPTION
1	86137750	7135DG	AIR DUCT
2	86146820	7065	INTERNAL WIRING ET
3	86142920	7096	INTERNAL CABLE
4	86144780	01016ER	SCR, 4X16-T20 STS
5	86146510	7057HG	VALVE COVER
6	86139960	7102ER	PRINTED CIRCUIT BOARD 120V
7	86145180	7098	SOUND INSULATION
8	86146380	1047	VAC MOTOR SEAL
9	86144740	7009	RUBBER MOUNTING
10	86143660	7041ER	VAC MOTOR 120V
11	86138380	05140S	CARBON BRUSH SET
12	86324770	7001WI	DUST BAG HOUSING
13	86324770	7012	FILTER, MOTOR PROTECTION
14	86142510	7080ER	HANDLE TUBE
15	86144830	0127ER	SCR M 4X10
16	86146830	7068ER	INTERNAL WIRING
17	86146490	7025	VALVE DISC
18	86322520	7028	VALVE SPRING
19	86142680	7090HG	HOSE DUCT
20	86139340	7027HG	CABLE HOOK
21	86309310	7092hg	COVER, DUST BAG HOUSING HG
22	86144790	01017ER	SCR, 4X20-T20 STS
23	86284790	7029WI	FILTER BAG
24	86309320	7091hg	FILTER COVER HG
25	86309330	7095WI	EXHAUST FILTER HG
26	86141460	7017 HG	EXHAUST FILTER CLAMP
27	86309340	7169WI	LOWER HOUSING HG
28	86146250	7076HG	TUBE PLUG
29	86142520	7163HG	HANDLE GRIP CPL
30	86139350	7126BL	CABLE 120V, US
31	86145140	7035BL	SLIDING BUTTON
32	86142500	7073HG	HANDLE FRAME
33	86145480	05138	ROCKER SWITCH, 2 POL.
34	86142670	7050SB	HOSE DUCT
35	86139110	1030UL	CABLE CLAMP
36	86016900	0103ER	SCREW C 3,9X16
37	86292570	1035hg	CABLE GROMMET
38	86141670	7094ER	FILTER INDICATOR, CPL.
39	86144630	7018OR	RETAINING RING, CPL.
40	86309880	7142	PROTECTION FILM
41	86324820	7024	SPRING LATCH FILTER COVER

ACCESS 12

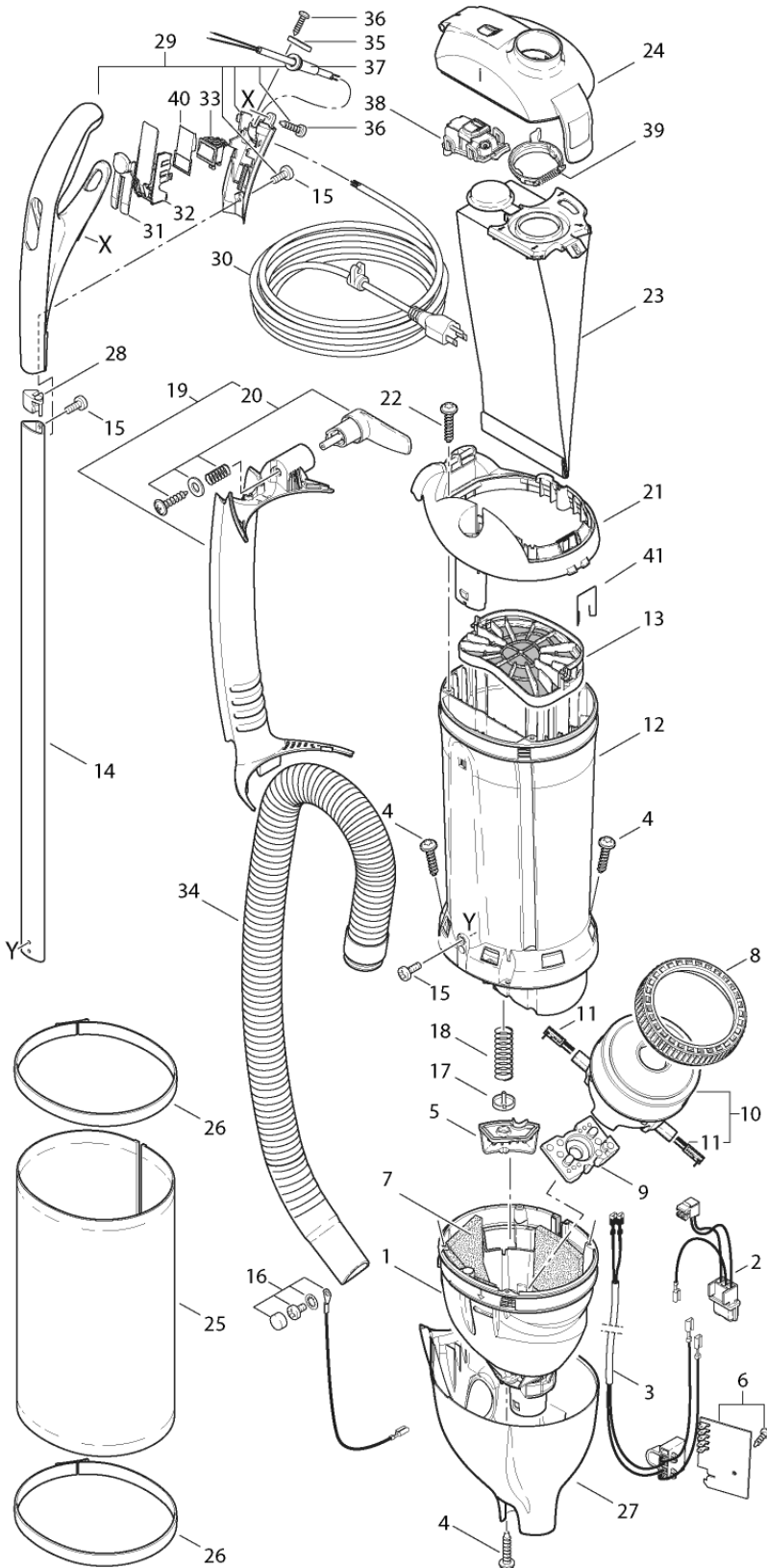
120V



POS.	PRODUCT CODE	PRV NO.	DESCRIPTION
100	86324780	2324DG	CHASSIS ET1 12" DG
101	86324790	2302DG	BUMPER 12" DG
102	86322230	2314DG	BEARING BLOCK LEFT CPL. DG
103	86138220	2923	BELT 333 3M HTDII-6
104	86004950	5010WI	BRUSH ROLLER 12"
105	86324810	2313DG	BEARING BLOCK RH DG
106	86145260	2929	SPRING
107	86324820	2316DGx	ASM PILE ADJUST DG
108	86137710	2909VO	ACCESS DOOR
109	86143990	2304HG	REAR BOTTOM PLATE, 12"
110	86139090	2931HG	PILE ADJUST BUTTON
111	86324830	2306DG	WHEEL DG
112	86141710	2937OR	FOOT PEDAL
113	86324840	2308DG	SWIVEL NECK ASM TS DG
114	86146810	0877	WIRING SWIVEL NECK
115	86324850	2947DG	COVER, TS-NECK DG
116	86144990	2950ER	SEGMENTS, TS-NECK
117	86139080	1737ER	RELEASE BUTTON DG
118	86324870	2952DG	BUTTON COVER TS-NECK DG
119	86324880	2945DG	SWIVEL NECK SLIDE DG
120	86324890	2951DG	SOCKET COVER TS-NECK DG
121	86144820	01027ER	SCR F 3.9X9.5 DIN 7981
122	86138140	2954	SWIVEL NECK BEARING
123	86145400	2311	SWIVEL NECK SUPPORT, RH
124	86145410	2312	SWIVEL NECK SUPPORT, LH
125	86350180	0880	SWITCH SWIVEL NECK
126	86137930	2928	AXLE
127	86144810	01021ER	SCR F3.9X13 DIN 968
128	86143500	2973ER	BRUSH MOTOR 12V 175W
129	86138390	05141S	BRUSH SET, CARBON VAC MTR
130	86144800	01020ER	SCR, F3.9X21 DIN 968
131	86144160	2983ER	POWER SUPPLY ET1 175W
132	86324900	2320HGAX	COVER POWER HEAD ET1 ACCESS 12"
133	86144840	0176TER	SCR M4X30 DIN 7985 (PKG10)
134	86146800	5402	WIRE TIE
135	86309030	2319	BRUSH MOTOR PULLEY FM

AXCESS 15

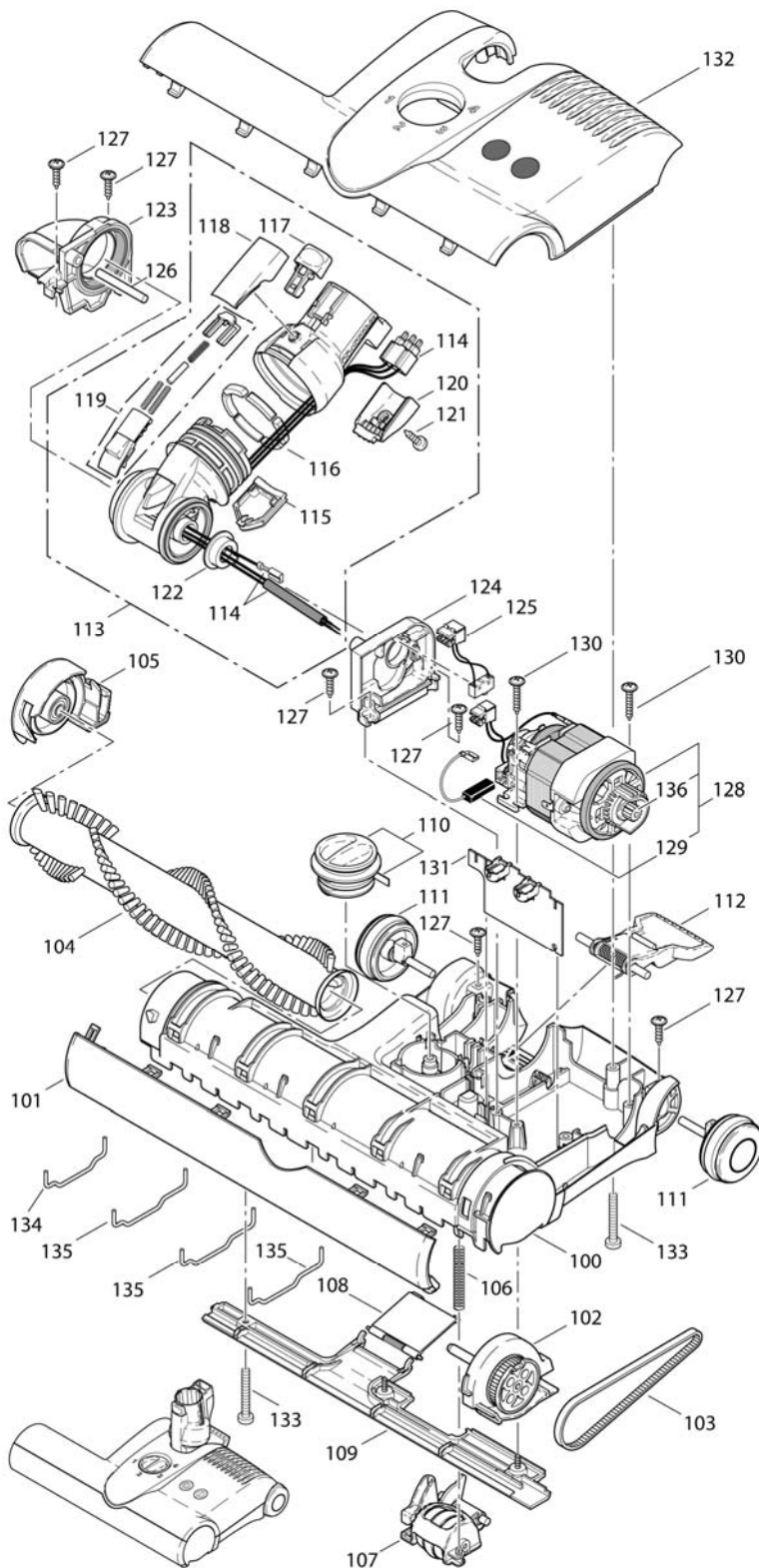
120V



POS.	PRODUCT CODE	PRV NO.	DESCRIPTION
1	86137750	7135DG	AIR DUCT
2	86146820	7065	INTERNAL WIRING ET
3	86142920	7096	INTERNAL CABLE
4	86144780	01016ER	SCREW STS 4X16-T20
5	86146510	7057HG	VALVE COVER
6	86139960	7102ER	PRINTED CIRCUIT BOARD 120V
7	86145180	7098	SOUND INSULATION
8	86146380	1047	VAC MOTOR SEAL
9	86144740	7009	RUBBER MOUNTING
10	86143660	7041ER	VAC MOTOR 120V
11	86138380	05140S	PAIR OF CARBON BRUSHES
12	86324770	7001WI	DUST BAG HOUSING
13	86284770	7012	MOTOR FILTER
14	86142510	7080ER	HANDLE TUBE
15	86144830	0127ER	SCREW M 4X10K
16	86146830	7068ER	INTERNAL WIRING
17	86146490	7025	VALVE DISC
18	86322520	7028	VALVE SPRING
19	86142680	7090HG	HOSE DUCT
20	86139340	7027HG	CABLE HOOK
21	86309310	7092hg	COVER, DUST BAG HOUSING HG
22	86144790	01017ER	SCREW STST 4X20-T20
23	86284790	7029WI	DUST BAG
24	86309320	7091hg	FILTER COVER HG
25	86309330	7095WI	EXHAUST FILTER
26	86141460	7017hg	EXHAUST FILTER CLAMP
27	86309340	7169WI	LOWER HOUSING HG
28	86146250	7076HG	TUBE PLUG
29	86142520	7163HG	HANDLE GRIP CLP.
30	86139350	7126BL	CABLE 120V, US
31	86145140	7035BL	SLIDING BUTTON
32	86142500	7073HG	HANDLE FRAME
33	86145480	05138	ROCKER SWITCH, 2 POL.
34	86142670	7050SB	HOSE DUCT
35	86139110	1030UL	CABLE CLAMP
36	86016900	0103ER	SCREW C 3.9X16
37	86292570	1035hg	CABLE GROMMET
38	86141670	7094ER	FILTER INDICATOR, CPL.
39	86144630	7018OR	RETAINING RING, CPL.
40	86309880	7142	PROTECTIVE FILM
41	86324820	7024	SPRING LATCH FILTER COVER

AXCESS 15

120V



POS.	PRODUCT CODE	PRV NO.	DESCRIPTION
100	86324910	2325DG	CHASSIS, ET2 15" DG
101	86324920	2303DG	BUMPER, ET2,CPL 15"DG
102	86322230	2314DG	BEARING BLOCK LEFT CPL. DG
103	86138220	2923	BELT 333 3M HTDII-6
104	86138490	2838WI	BRUSH ROLLER, CPL.
105	86324810	2313DG	BEARING BLOCK, RIGHT DG
106	86145260	2929	SPRING
107	86137840	2316DG	ADM. PILE ADJUST. DG
108	86137710	2909VO	ACCESS DOOR ET
109	86324930	2305DG	REAR BOTTOM PLATE, CPL. 15"DG
110	86139090	2931HG	PILE ADJUST. BUTTON
111	86324830	2306DG	WHEEL DG
112	86141710	2937OR	FOOT PEDAL
113	86324840	2308DG	SWIVEL NECK ASM. TS DG
114	86146810	0877	WIRING SWIVEL NECK
115	86324850	2947DG	COVER DG
116	86144990	2950ER	SEGMENTS
117	86324860	1737DG	RELEASE BUTTON DG
118	86324870	2952DG	BUTTON COVER, TS-NECK DG
119	86324880	2945DG	SWIVEL NECK SLIDE DG
120	86324890	2951DG	SOCKET COVER, TS-NECK DG
121	86144820	01027ER	SCREW F 3,9X9,5
122	86138140	2954	SWIVEL NECK BEARING
123	86145400	2311	SWIVEL NECK SUPPORT, RIGHT
124	86145410	2312	SWIVEL NECK SUPPORT, LEFT
125	86350180	0880	WIRING SWIVEL NECK SWITCH
126	86137930	2928	AXLE
127	86144810	01021ER	SCREW F3,9X13
128	86143510	2974ER	BRUSH MOTOR 12V 200W
129	86138390	05141S	PAIR OF CARBON BRUSHES, 120V
130	86144800	01020ER	SCREW, F 3,9X21
131	86144170	2984ER	PRINTED CIRCUIT BOARD ET2-200W
132	86324940	2322BL	POWER HEAD COVER ET2 AXCESS 15"
133	86144840	0176TER	SCREW AM 4X30
134	86146790	5401	WIRE TIE,BOTTOM PLATE,OUTER
135	86146800	5402	WIRE TIE,BOTTOM PLATE,CENTER
136	86309030	2319	BRUSH MOTOR PULLEY FM

NOTES:

NOTES:

NOTES:

NOTES: