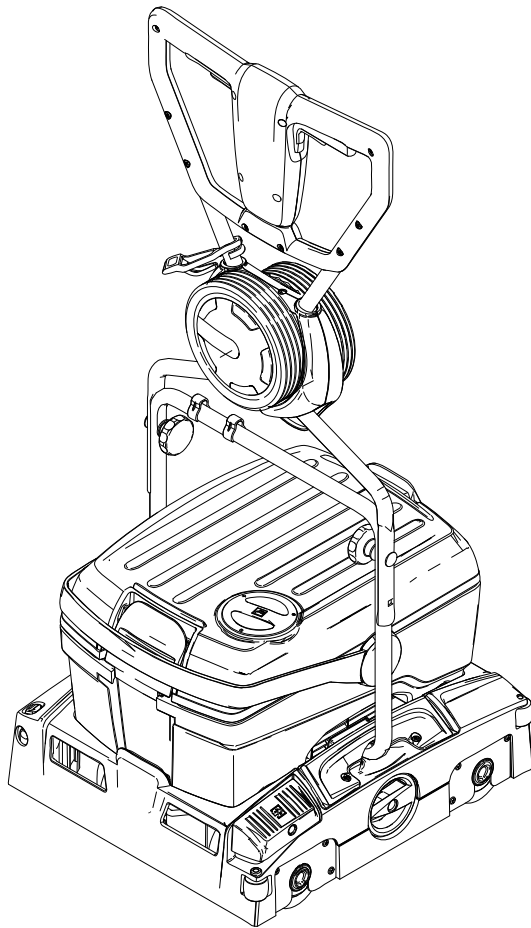


# Saber Blade 16



English	3
Français	11
Español	19





## IMPORTANT SAFETY INSTRUCTIONS

### READ ALL INSTRUCTIONS BEFORE USING.

#### WARNING

To reduce the risk of fire, electric shock, or injury:

- Do not leave appliance when plugged in. Unplug from outlet when not in use and before servicing.

#### WARNING

- TO REDUCE THE RISK OF ELECTRIC SHOCK-USE INDOORS ONLY
- Do not allow to be used as a toy. Close attention is necessary when used by or near children.
- Use only as described in this manual. Use only manufacturer's recommended attachments.
- Do not use with damaged cord or plug. If appliance is not working as it should, has been dropped, damaged, left outdoors, or dropped into water, return it to a service center.
- Do not pull or carry by cord, use cord as a handle, close a door on cord, or pull cord around sharp edges or corners. Do not run appliance over cord. Keep cord away from heated surfaces.
- Do not unplug by pulling on cord. To unplug, grasp the plug, not the cord.
- Do not handle plug or appliance with wet hands.
- Do not put any object into openings. Do not use with any opening blocked; keep free of dust, lint, hair, and anything that may reduce air flow.
- Keep hair, loose clothing, fingers, and all parts of body away from openings and moving parts.
- Turn off all controls before unplugging.
- Use extra care when cleaning on stairs.
- Do not use to pick up flammable or combustible liquids, such as gasoline, or use in areas where they may be present.
- Connect to a properly grounded outlet only. See Grounding Instruction.

### SAVE THESE INSTRUCTIONS

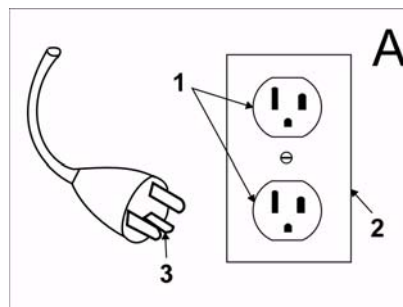
## GROUNDING INSTRUCTIONS

This appliance must be grounded. If it should malfunction or breakdown, grounding provides a path of least resistance for electric current to reduce the risk of electric shock. This appliance is equipped with a cord having an equipment-grounding conductor and a grounding plug. The plug must be inserted into an appropriate outlet that is properly installed and grounded in accordance with all local codes and ordinances.

#### WARNING

Improper connection of the equipment grounding conductor can result in a risk of electric shock. Check with a qualified electrician or service person if you are in doubt as to whether the outlet is properly grounded. Do not modify the plug provided with the appliance-if it will not fit the outlet, have a proper outlet installed by a qualified electrician. This appliance is for use on a nominal 120-volt circuit and has a grounding attachment plug that looks like the plug illustrated in illustration A. Make sure that the appliance is connected to an outlet having the same configuration as the plug. No adaptor should be used with this appliance.

### CONNECT TO A PROPERLY GROUNDED OUTLET ONLY



- 1 Grounded outlet
- 2 Grounded outlet Box
- 3 Grounded Pin

## OPERATING SAFETY RULES AND PRACTICES

### Operator Responsibility

Safe operation is in the responsibility of the operator.

The operator shall be familiar with the operation and function of all controls and instruments before operating the unit.

Before operating the unit, operators shall have read and be familiar with the operator's manual for the particular unit being operated and they shall also

abide by the safety rules and practices in the following paragraphs.

Before operating any unit, the operator shall be familiar with unusual operating conditions which may require additional safety precautions or special operating instructions.

### General

Before starting to operate the unit be in operating position.

Do not start or operate the unit, any of its functions or attachments, from any place other than from the designated operators position.

Before leaving the operator's position:

- A bring the unit to a complete stop;
- B if the unit must be on an incline, block the wheels.

Maintain a safe distance from the edge of ramps, platforms, and other similar working surfaces.

Do not add to, or modify the unit.

Do not block access to fire aisles, stairways or fire equipment.

## Operator care of the unit

If the unit is found to be in need of repair or in any way unsafe, or contributes to an unsafe condition, the matter shall be reported immediately to the user's designated authority, and the unit shall not be operated until it has been restored to safe operating condition. If during operation the unit becomes unsafe in any way, the matter shall be reported immediately to the user's designated authority, and the unit shall not be operated until it has been restored to safe operating condition. Do not make repairs or adjustments unless specifically authorized to do so.

## MAINTENANCE AND REBUILD PRACTICES

Operation of the unit may be hazardous if maintenance is neglected or repairs, rebuilds, or adjustments are not performed in accordance with the manufacturer's design criteria. Therefore, maintenance facilities (on or off premises), trained personnel, and detailed procedures shall be provided. Maintenance and inspection of the unit shall be performed in conformance with the following practices:

- A a schedules planned maintenance, lubrication, and inspection system shall be followed; consult the manufacturer's recommendations.
- B only trained and authorized personnel shall be permitted to maintain, repair, adjust, and inspect the unit, and in accordance with manufacturer's specifications.

Avoid fire hazards and have fire protection equipment present in the work area. Do not use open pans of fuel or flammable cleaning fluids for cleaning parts.

## FIRE SAFETY STANDARD

Any unit not in safe operating condition shall be removed from service.

Fire Prevention: The unit shall be kept in a clean condition and reasonably free of lint, excess oil, and grease.

Noncombustible agents are preferred for cleaning the unit. Flammable liquids [those having flash points at or above 100°F (37,8°C)] are not allowed. Precautions regarding toxicity, ventilation, and fire hazard shall be appropriate for the agent or solvent used.

Nameplate Visibility: The unit type designations as shown on the nameplate and the type markers shall not be covered over with paint so that their identification information is obscured.



Please read and comply with these instructions prior to the initial operation of your appliance. Retain these operating instructions for future reference or for subsequent possessors.

## Contents

Safety instructions	4
Function	4
Proper use	4
Environmental protection	4
Operating elements	5
Before Commissioning	5
Operation	6
Maintenance and care	7
Troubleshooting	7
Specifications	9
Accessories	10
Warranty	10
Spare parts	10

## Safety instructions

Before using the appliance for the first time, read and observe these operating instructions and the accompanying brochure: Safety information for brush cleaning units and spray-extraction units, 5.956-251.

## Symbols

The following symbols are used in this operating manual:

### **Danger**

*Indicates an immediate threat of danger. Failure to observe the instruction may result in death or serious injuries.*

### **Warning**

*Indicates a possibly dangerous situation. Failure to observe the instruction may result in light injuries or damage to property.*

### **Note**

*Indicates useful tips and important information about the product.*

## Function

The appliance is used for the wet cleaning or polishing of level floors. Two brush rollers located opposite of each other clean the floor by means of the added detergent liquid. A working width of 16 in. (400 mm) and a capacity of 10.5 qts (10 l) each of the fresh and dirt water reservoirs allow for effective cleaning.

The power supply operation allows a high capacity without a restriction of the working time.

### **Note**

*The appliance can be equipped with various accessories depending on the cleaning task. Please request our catalogue or visit us on the Internet.*

## Proper use

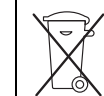
Use this appliance only as directed in these operating instructions.

- The appliance may only be used for the cleaning of hard surfaces that are not sensitive to moisture and polishing operations. The application temperature ranges from 41°F1 to 104°F (+5°C to +40°C).
- The appliance is not suited for the cleaning of frozen grounds (e.g. in cold stores).
- The appliance may only be equipped with original accessories and spare parts.
- The appliance has been designed for the cleaning of floors inside or covered surfaces. With respect to other applications the usage of alternative brushes must be checked.
- The appliance is not intended for the cleaning of public traffic routes.

## Environmental protection

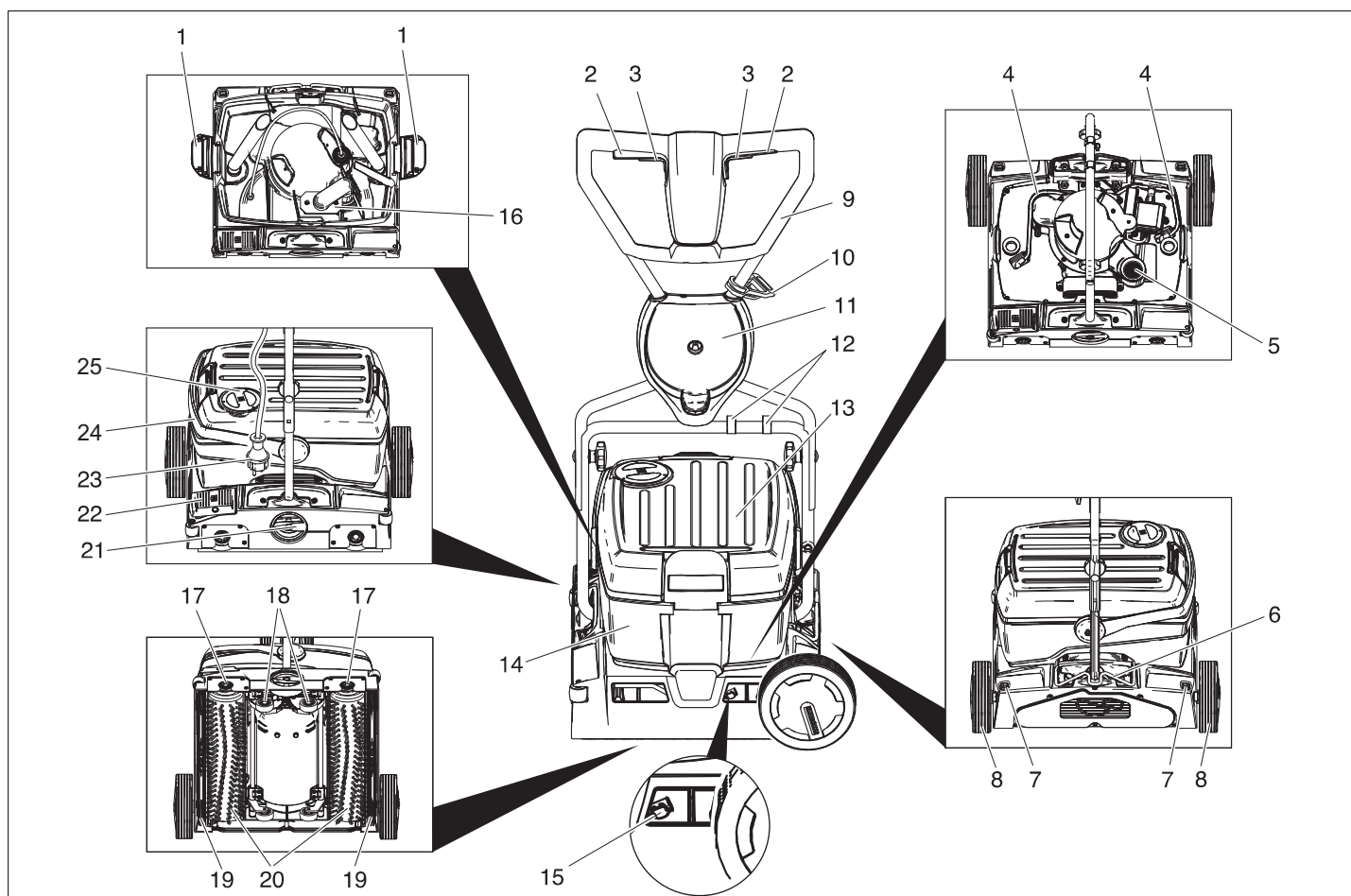


The packaging materials are recyclable. Please do not throw packaging in the domestic waste but pass it on for recycling.



Old units contain valuable recyclable materials. Batteries, oil and similar substances may not be released into the environment. Therefore please dispose of old units through suitable collection systems.

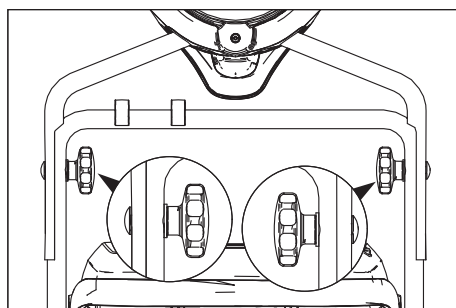
## Operating elements



- 1 Lock for solution tank
- 2 Switch for brush drive
- 3 Solution switch
- 4 Solution hose
- 5 Dust filter (suction)
- 6 Lock of pushing handle
- 7 Release button for the transport wheel
- 8 Bearing wheel
- 9 Push handle
- 10 Strain relief clamp
- 11 Support of the transport wheel
- 12 Clip
- 13 Solution tank
- 14 Recovery tank
- 15 Push-button for squeegee change
- 16 Shut off float
- 17 Button for brush change
- 18 Chassis
- 19 Squeegee
- 20 Brushes
- 21 Rotating handle for brush contact pressure
- 22 Pedal to lower squeegee
- 23 Electrical plug
- 24 Carrying handle for recovery tank
- 25 Solution tank cover

### Before Commissioning

#### Installing the pushing handle



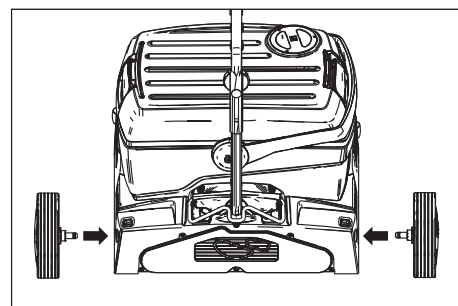
- Slide the upper slider half onto the lower slider half.

#### **⚠ Warning**

*Risk of damage. Do not pinch the cable during the installation.*

- Align the borings (2 possible height adjustments).
- Connect the slider halves to the lock screws, discs and star grips.
- Fasten the cable to the slider using clips.

### Installing the transport wheels



- Insert the transport wheel axles into the borings on the appliance and lock them.

### Installing the Brushes

The brushes must be installed before the initial operation (see "Maintenance works").

## Operation

### Note

To take the brush drive out of operation, immediately release brush drive switch.

### Chemical filling

#### ⚠ Warning

Risk of damage. Only use the recommended detergents. With respect to different detergents the operator bears the increased risk regarding the operational safety and danger of accident. Only use detergents that are free from solvents, hydrochloric acid and hydrofluoric acid.

### Note

Do not use highly foaming detergents. Observe the meter mixing notes.

Recommended detergents:

- Open the cover of the solution tank.
- Pour in water/detergent mixture. Maximum temperature of the liquid 120°F (50°C)

### Note

The solution tank cover can be used to meter the detergent. The capacity of the cover up to the mark represents 1% of the fresh water reservoir capacity.

- Close the cover of the solution tank.

### Driving to the Place of Use

#### Short distances on even surfaces

- Place the slider vertically.
- Position the rotary handle for the brush contact pressure in the drive position.
- Use the pushing handle to push the appliance to the place of use.

#### Longer distances on uneven surfaces

- Place the slider vertically and tilt the lock up.
- Install the transport wheels.
- Tilt the appliance to the side and drive it to the place of use on its transport wheels.

If the transport wheels hinder the use of the appliance:

- Press the transport wheel release button and pull the transport wheel out.
- Insert the transport wheels into their holder until they stop.

### Adjust the brush contact pressure

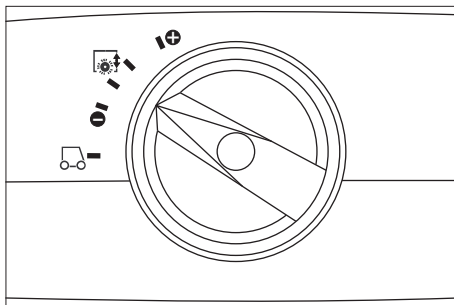
- Place the slider vertically.
- Adjust the rotary handle of the brush contact pressure to the desired value.

### Note

Carry out the initial cleaning attempts with less contact pressure. Increase contact pressure step-by-step until the desired cleaning result is achieved. A correct setting of the contact pressure reduces the wear and tear of the brushes.

The brush drive is switched off when there is overload.

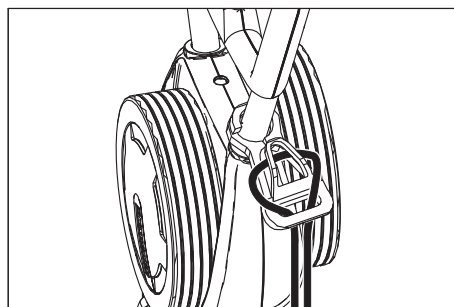
When cleaning with microfibre rollers, the contact pressure must not be adjusted higher than the position mentioned below. With a higher contact pressure, there is a danger of destroying the microfibre rollers.



### Establish mains contact

#### ⚠ Danger

Check the mains cables of the machine each time before using the machine to see that it is not damaged. Never operate a machine with damaged cables. Get the damaged cables replaced by an electrician.



- Insert the looped end of the extension cable in the strain relief hook.
- Plug in the mains plug.

### Cleaning

- If the detergent solution is to be vacuumed off after the cleaning process, use squeegee lowering pedal.
- Swivel the slider toward the operator - the chassis is retracted and the brushes touch the floor.
- Turn on the brushes by using the switch for the brush drive.
- Turn on the brush irrigation by using the switch for the detergent solution.
- Move the appliance over the surface to be processed by the slider.

#### ⚠ Warning!

Risk of damage to the floor covering. Do not operate the appliance on the spot.

### Polishing

- Swivel the slider toward the operator - the chassis is retracted and the brushes touch the floor.
- Turn on the brushes by using the switch for the brush drive.
- Move the appliance over the surface to be processed by the slider.

#### ⚠ Warning!

Risk of damage to the floor covering. Do not operate the appliance on the spot.

### Note

To polish under furniture, remove the solution tank and recovery tank.

### Shutting Down the Appliance

- Release the switch for detergent solution.
- Push the appliance forward for another 3-6 ft (1-2 m) to draw off residual water.
- Release the brush drive button.
- Press the pedal to lower the vacuum bar.
- Place the slider vertically - the brushes are elevated.
- Disconnect the mains plug.

#### ⚠ Warning

Danger of deforming the brushes. When switching off the appliance, take the load off the appliance by placing the slider vertically.

### Emptying the Solution tank

- Open the locks for the Solution tank.
- Tilt the carrying handle for the recovery tank towards the side.
- Lift up the solution tank and carry it to the disposal site.

#### ⚠ Warning

Please observe the local provisions regarding the wastewater treatment.

- Remove the cover of the solution tank and pour out the liquid via the notch.

## Draining the Recovery tank

### Note

If the recovery tank is full the float closes the suction channel. The suction operation is interrupted. Empty the recovery tank.

- Remove the solution tank, as described above.
- Lift up the recovery tank and carry it to the disposal site.

### ⚠ Warning

Please observe the local provisions regarding the wastewater treatment.

- Pour out dirty water.
- Rinse the recovery tank with clear water.

## Transport

- If you want to transport the appliance on a vehicle secure it from slipping.

To reduce the required space, the pushing handle can be folded or disassembled:

- Release the star grips of the pushing handle fastening.
- Unscrew the star grips, remove the screws and take off the upper push handle half.

## Maintenance and care

### ⚠ Danger

*Risk of injury!*

*Pull the plug from the mains before carrying out any tasks on the appliance.*

### ⚠ Warning

*Risk of damage to the appliance on account of water leakage. Drain out dirty water and the remaining free water before working at the machine.*

## Maintenance schedule

### After the work

#### ⚠ Warning

*Risk of damage. Do not wash down the appliance with water and do not use aggressive detergents.*

- Pour out dirty water.
- Rinse the recovery tank with clear water.
- Empty the solution tank.
- Fill the solution tank with clear water and rinse the appliance to avoid residue buildup.
- Remove the remaining water from the solution tank.
- Check the seal in the ball valve in the solution tank.
- Check the lint filter, clean if required

- Let the tanks dry prior to closing them to prevent odor.
- Clean the outside of the appliance with a damp cloth which has been soaked in mild detergent.
- Clean the squeegee, check for wear and replace the squeegee if required.
- Check the brushes for wear, replace if required.
- Clean the water distribution bars above the brushes, remove if necessary and flush with water.

### Monthly

- Check the condition of the seals between the appliance and the recovery tank; replace if required.
- Clean the brush tunnel.

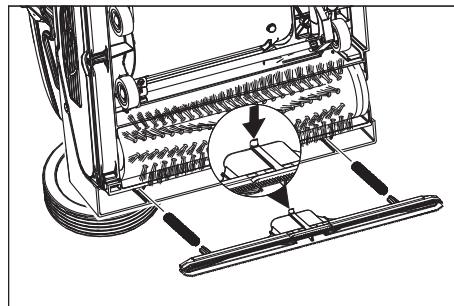
### Yearly

- Have the prescribed inspection carried out by the customer service.

## Maintenance Works

### Replacing the squeegee

- Lift the squeegee by activating the pedal for the squeegee lowering.
- Press the push-button for the squeegee change toward the inside - the squeegee will release.
- Pull off the squeegee downwards.
- Remove the screw springs and install the new squeegee.



- Align the new squeegee so that the locking nose points toward the centre of the appliance.
- Insert the screw springs into the receptacle on the appliance.
- Insert the squeegee into the appliance and lock it in.
- Repeat process on the second squeegee.

### Note

*Regular exchanges of the two squeegee will improve the scraping effect and will prolong their life.*

### Replacing the brushes

- Lay the device on its side.
- Press the brush change key and simultaneously tilt the brush roller downwards.
- Pull out the brushes roller.

- Place the new brush roller on the driver and lock into place.

### Maintenance contract

To ensure a reliable operation of the appliance maintenance contracts can be concluded with the competent Windsor sales office.

## Frost protection

In case of danger of frost:

- Empty the solution and recovery tank .
- Push the button for detergent solution until no more water is expelled.
- Store the appliance in a frost-protected room.

## Troubleshooting

### ⚠ Danger

*Risk of injury!*

*Pull the plug from the mains before carrying out any tasks on the appliance.*

### ⚠ Warning

*Risk of damage to the appliance on account of water leakage. Drain out dirty water and the remaining free water before working at the machine.*

In case of faults that cannot be remedied using the table below please contact the customer service.

## Faults

Error	Remedy
Appliance cannot be started	Check if the mains plug is connected.
	Socket fuse rating too low, look for proper socket.
Insufficient water quantity	Check fresh water level, refill tank if necessary.
	Clean the ball valve in the solution tank.
	Check and ensure that the solution tank is seated properly on the appliance.
	Filter in the solution tank is plugged, clean filter.
	Check hoses for blockages; clean if required.
Insufficient vacuum performance	Empty the recovery tank.
	Check and ensure that the solution tank is seated properly on the wastewater reservoir.
	Check seals on the solution tank, clean if necessary.
	Clean the seals between the appliance and the recovery tank and check for tightness, replace if required.
	Clean the lint trap.
	Clean the squeegee blades on the squeegee tool, replace if required
	Suction channel plugged, clean.
	Check if the vacuum bar is plugged, remove plug if required
Insufficient cleaning result	Increase brush contact pressure.
	Check the brushes for wear, replace if required.
	Use brush rollers suited for the type of dirt and floor covering.
Brushes do not turn	Check if foreign matters block the brushes; remove foreign matter if required.
	Reduce contact pressure.
	Overcurrent protective switch was triggered. The overcurrent protective switch will allow the operation after max. one minute.
Appliance vibrates.	Brush rollers are deformed because they were not unloaded by tilting the slider vertically when parking the appliance; replace brush rollers.



## Specifications

<b>Power</b>		
Nominal voltage	V/Hz	120 / 60
Average power consumption	W	1100
Suction engine output	W	500
Brush engine output	W	1700
<b>Vacuuming</b>		
Cleaning power, air quantity	Cfm l/ s	42,2 20
Cleaning power, negative pressure	psi kPa	1,45 10
<b>Cleaning brushes</b>		
Working width	in mm	15.15 400
Brush diameter	in mm	3.77 96
Brush speed	1/min	650
<b>Dimensions and weights</b>		
Theoretical surface cleaning performance	yd <sup>2</sup> m <sup>2</sup> /h	478 400
Fresh/dirty water tank volume	GAL l	2.64 10
Length (without pushing handle)	in mm	20.5 520
Width (without squeegee tool)	in mm	18.5 470
Height (without pushing handle)	in mm	15 380
Weight (without tank contents)	lbs kg	46.1 30
<b>Noise emission</b>		
Sound pressure level (EN 60704-1)	dB(A)	71
<b>Machine vibrations</b>		
Vibration total value (ISO 5349)	m/s <sup>2</sup>	1,0

## Accessories

		Order No.	Piece	Machine requires piece
Brush roller, red (medium, standard)	For cleaning slightly dirtied or sensitive floors.	4.762-249.0	1	2
Brush roller, green (grit)	For cleaning heavily dirtied floors.	4.762-252.0	1	2
Brush roller, orange (high/ low)	For scrubbing structured floors (safety tiles, etc.).	4.762-251.0	1	2
Brush roller, white (soft)	For polishing floors.	4.762-250.0	1	2
Pad roller shaft	For intake of roller pads.	4.762-228.0	1	2
Pad, very soft, white	For cleaning and polishing sensitive floorings.	6.369-727.0	1	2
Pad, soft, yellow	For polishing floors.	6.369-724.0	1	2
Pad, medium soft, red	For cleaning slightly dirtied floors.	6.369-726.0	1	2
Pad, hard, green	For cleaning normal to heavily dirtied floors.	6.369-725.0	1	2
Microfibre roller	To remove grey tint	4.114-003.0	1	2
Vacuum bar, standard		4.777-323.0	1	2
Vacuum bar, oil-resistant		4.777-322.0	1	2
Extension cable	20 m	6.647-022.0	1	1

### Spare parts

- Only use accessories and spare parts which have been approved by the manufacturer. The exclusive use of original accessories and original spare parts ensures that the appliance can be operated safely and troublefree.
- At the end of the operating instructions you will find a selected list of spare parts that are often required.

## INSTRUCTIONS IMPORTANTES EN MATIÈRE DE SÉCURITÉ

### LIRE TOUTES LES INSTRUCTIONS AVANT DE FAIRE FONCTIONNER

#### Attention

Pour réduire les risques d'incendie, de choc électrique ou de blessure:

- Ne pas laisser l'appareil sans surveillance lorsqu'il est branché. Débrancher lorsque l'appareil n'est pas utilisé et avant l'entretien.

#### Attention

- Pour réduire les risques de choc électrique, utiliser à l'intérieur seulement.
- Ne pas permettre aux enfants de jouer avec l'appareil. Une attention particulière est nécessaire lorsque l'appareil est utilisé par des enfants ou à proximité de ces derniers.
- N'utiliser que conformément à cette notice avec les accessoires recommandés par le fabricant.
- Ne pas utiliser si le cordon ou la fiche est endommagé. Retourner l'appareil à un atelier de réparation s'il ne fonctionne pas bien, s'il est tombé ou s'il a été endommagé, oublié à l'extérieur ou immergé.
- Ne pas tirer, soulever ni traîner l'appareil par le cordon. Ne pas utiliser le cordon comme une poignée, le coincer dans l'embrasure d'une porte ou l'appuyer contre des arêtes vives ou des coins. Ne pas faire rouler l'appareil sur le cordon. Garder le cordon à l'écart des surfaces chaudes.
- Ne pas débrancher en tirant sur le cordon. Tirer plutôt la fiche.
- Ne pas toucher la fiche ni l'appareil lorsque vos mains sont humides.
- N'insérer aucun objet dans les ouvertures. Ne pas utiliser l'appareil lorsqu'une ouverture est bloquée. S'assurer que de la poussière, de la peluche, des cheveux ou d'autres matières ne réduisent pas le débit d'air.
- Maintenir les cheveux, les vêtements amples, les doigts et toutes les parties du corps à l'écart des ouvertures et des pièces mobiles.
- Mettre toutes les commandes à la position ARRÊT avant de débrancher l'appareil.
- User de prudence lors du nettoyage des escaliers.
- Ne pas aspirer des liquides inflammables ou combustibles, comme de l'essence, et ne pas faire fonctionner dans des endroits où peuvent se trouver de tels liquides.

- Ne brancher qu'à une prise de courant avec mise à la terre. Voir les instructions la mise à la terre.

### CONSERVER CES INSTRUCTIONS

### INSTRUCTIONS VISANT LA MISE À LA TERRE

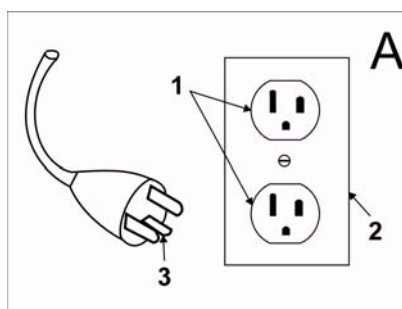
Cet appareil doit être mis à la terre. En cas de défaillance ou de panne, la mise à la terre fournit au courant un chemin de moindre résistance qui réduit le risque de choc électrique. Cet appareil est pourvu d'un cordon muni d'un conducteur de terre et d'une fiche avec broche de terre. La fiche doit être branchée dans une prise appropriée correctement installée et mise à la terre conformément aux règlements et ordonnances municipaux.

#### Attention

Un conducteur de terre mal raccordé peut entraîner un risque de choc électrique. Consulter un électricien ou un technicien d'entretien qualifié si vous n'êtes pas certain que la prise est correctement mise à la terre. Ne pas modifier la fiche fournie avec l'appareil - si elle ne peut être insérée dans la prise, faire installer une prise adéquate par un électricien qualifié.

Cet appareil est destiné à un circuit de 120 V et est muni d'une fiche de mise à la terre semblable à celle illustrée par le croquis A. S'assurer que l'appareil est branché à une prise de courant ayant la même configuration que la fiche. Aucun adaptateur ne devrait être utilisé avec cet appareil.

### NE BRANCHER QU'À UNE PRISE DE COURANT AVEC MISE À LA TERRE



- 1 Sortie avec mise à la terre
- 2 Boîte avec mise à la terre
- 3 Fiche avec mise à la terre

### REGLES ET PRATIQUES DE SÉCURITÉ DE FONCTIONNEMENT

#### Responsabilité de l'opérateur

Un fonctionnement sûr est la responsabilité de l'opérateur. L'opérateur doit être au courant du fonctionnement et des fonctions de toutes les commandes et de tous les

instruments avant d'entreprendre de faire fonctionner l'unité.

Avant de faire fonctionner l'unité, les opérateurs doivent avoir lu et bien connaître le manuel d'utilisation pour l'unité particulière en fonctionnement et ils doivent également obéir aux règles et pratiques de sécurité énoncées dans les paragraphes suivants.

Avant de faire fonctionner l'unité, l'opérateur doit bien connaître les conditions de fonctionnement inhabituelles qui peuvent nécessiter des précautions de sécurité supplémentaires ou des instructions de fonctionnement spéciales.

#### Généralités

Avant de commencer à faire fonctionner l'unité, soyez dans une position d'opération.

Ne démarrez pas ou n'opérez pas l'unité, l'une quelconque de ses fonctions ou accessoires, depuis tout endroit autre que la position désignée pour les opérateurs.

Avant de quitter la position de l'opérateur :

A arrêtez complètement l'unité ;

B si l'unité doit se trouver sur un plan incliné, bloquez les roues.

Conservez une distance de sécurité depuis le bord des rampes, plate-formes et autres surfaces de travail similaires.

N'effectuez aucun ajout ou aucune modification à l'unité.

Ne bloquez pas l'accès aux couloirs à incendie, escaliers ou équipement de lutte contre les incendies.

#### Entretien de l'unité par l'opérateur

Si l'unité s'avère nécessiter des réparations ou être dangereuse d'une manière quelconque ou contribue à une condition dangereuse, le problème doit être rapporté immédiatement au supérieur désigné de l'utilisateur et l'unité ne doit pas être opérée jusqu'à ce qu'elle ait été remise en une condition de fonctionnement sûre.

Si l'unité devient dangereuse d'une manière quelconque au cours du fonctionnement, le problème doit être rapporté immédiatement au supérieur désigné de l'utilisateur et l'unité ne doit pas être opérée jusqu'à ce qu'elle ait été remise en une condition de fonctionnement sûre.

N'effectuez pas de réparations ou de réglages à moins d'y être autorisé spécifiquement.

## PRATIQUES D'ENTRETIEN ET DE RECONSTRUCTION

Le fonctionnement de l'unité peut être dangereux si l'entretien est négligé ou si des réparations, reconstructions ou réglages ne sont pas effectués conformément aux critères de conception du constructeur. Par conséquent, des installations d'entretien (sur site ou au dehors), du personnel qualifié et des procédures détaillées doivent être fournis.

L'entretien et l'inspection de l'unité doivent être réalisés conformément aux pratiques suivantes :

- A un système d'entretien, de lubrification et d'inspection planifié doit être suivi ; consultez les recommandations du constructeur.
- B seul du personnel qualifié et autorisé doit être autorisé à effectuer l'entretien, réparer, régler et inspecter l'unité et ce conformément aux spécifications du constructeur.

Évitez les risques d'incendie et disposez d'un équipement de protection contre les incendies dans la zone de travail. N'utilisez pas de récipients ouverts d'essence ou de fluides de nettoyage inflammables pour le nettoyage des pièces.

## NORME DE SECURITE INCENDIE

Toute unité ne se trouvant pas dans une condition de fonctionnement sûre doit être mise hors service.

Prévention incendie : L'unité doit être conservée dans une condition propre et raisonnablement exempte de peluche, d'huile en excès et de graisse. Des agents non combustibles sont préférés pour le nettoyage de l'unité. Les liquides inflammables [ceux possédant des points d'inflammation à ou supérieurs à 100°F (37,8°C)] ne sont pas permis. Les précautions concernant la toxicité, la ventilation et les risques d'incendie doivent être appropriées à l'agent ou au solvant utilisé.

Visibilité de la plaque signalétique : Les désignations du type d'unité telles qu'illustrées sur la plaque signalétique et les marqueurs de type ne doivent pas être recouverts par de la peinture de sorte que les informations concernant leur identification sont obscurcies.



Lisez attentivement ce mode d'emploi avant la première utilisation de l'appareil et respectez les conseils y figurant. Conservez ce mode d'emploi pour une utilisation ultérieure ou un éventuel repreneur de votre matériel.

## Table des matières

Consignes de sécurité	12
Fonction	12
Utilisation conforme	12
Protection de l'environnement	12
Éléments de commande	13
Avant la mise en service	13
Fonctionnement	14
Entretien et maintenance	15
Pannes	16
Données techniques	17
Accessoires	18
Déclaration CE	21
Garantie	17
Pièces de rechange	18

## Consignes de sécurité

Lire la présente notice d'instructions ainsi que la brochure ci-jointe Consignes de sécurité pour les nettoyeurs à brosses n° 5.956-251 avant d'utiliser l'appareil et respecter les instructions.

### Symboles

Les symboles suivants sont utilisés dans ces instructions de service :

#### **Danger**

*Signalise un danger imminent. Un non respect de cette consigne peut conduire à la mort ou entraîner de graves blessures.*

#### **Avertissement**

*Signalise une situation éventuellement dangereuse. Un non respect de cette consigne peut entraîner de légères blessures ou encore des dégâts matériels.*

#### **Remarque**

*Donne des conseils pour l'utilisation et d'importantes informations relatives au produit.*

## Fonction

L'appareil est employé pour nettoyer ou pour polir des sols plans par voie humide.

Deux brosses rotatives opposées nettoient le sol à l'aide du fluide de nettoyage alimenté. Une largeur de travail de 16 in (400 mm) et une capacité de 10.5 qts (10 l) pour chaque réservoir d'eau propre et d'eau sale permettent un nettoyage efficace.

Un fonctionnement par courant permet d'obtenir une capacité élevée sans limitation de la durée de travail.

#### **Remarque**

*L'appareil peut être équipé de différents accessoires en fonction de l'application respective. De plus amples détails figurent dans notre catalogue ou sur notre site Internet.*

## Utilisation conforme

L'utilisation de l'appareil doit être faite en conformité avec les consignes figurant dans les instructions de service.

- L'appareil doit uniquement être utilisé pour nettoyer des surfaces planes non sensibles à l'humidité ni au polissage.  
La plage de température pour l'utilisation est de 41°F - 104°F (+5°C à +40°C).
- L'appareil n'est pas approprié pour nettoyer des sols gelés (par exemple dans des entrepôts frigorifiques)
- L'appareil doit uniquement être équipé d'accessoires et de pièces de rechange d'origine.
- L'appareil est conçu pour le nettoyage de sols dans le domaine intérieur ou bien de surfaces couvertes d'un toit. Pour d'autres domaines d'application, il faut contrôler l'éventuelle nécessité d'utiliser d'autres brosses.
- L'appareil n'est pas destiné au nettoyage de voies publiques.

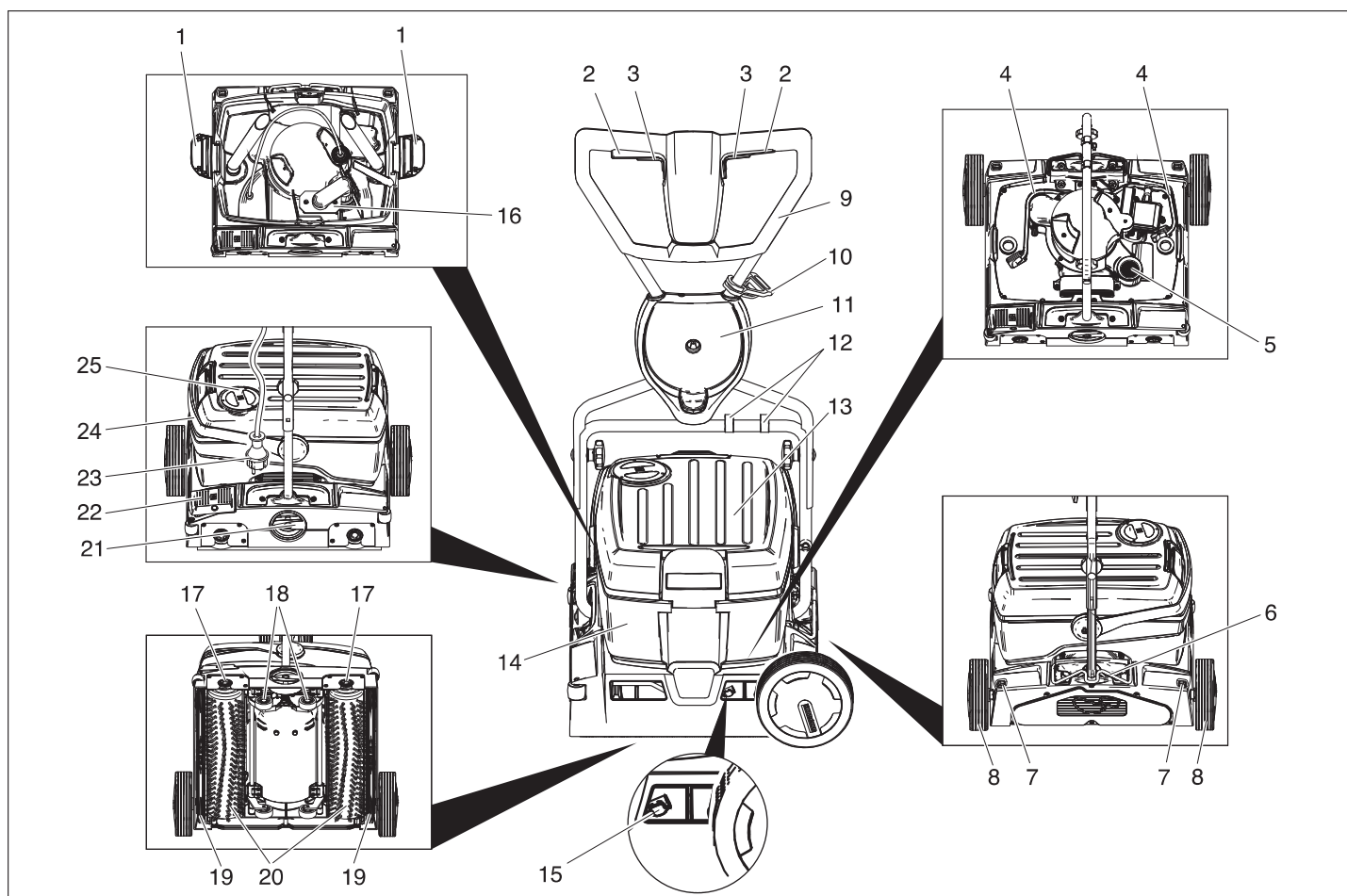
## Protection de l'environnement



Les matériaux constitutifs de l'emballage sont recyclables. Ne pas jeter les emballages dans les ordures ménagères, mais les rendre à un système de recyclage.



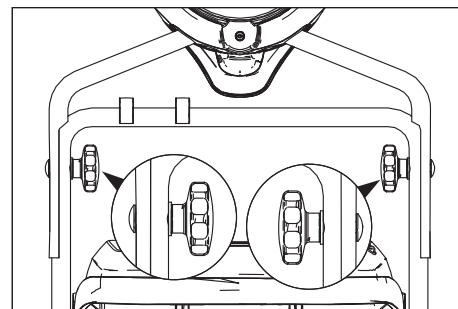
Les appareils usés contiennent des matériaux précieux recyclables lesquels doivent être rendus à un système de recyclage. Des batteries, de l'huile et d'autres substances semblables ne doivent pas être tout simplement jetées. Pour cette raison, utiliser des systèmes adéquats de collecte pour éliminer les appareils usés.



- |   |   |
|---|---|
| 1 Verrouillage réservoir d'eau propre               | 24 Poignée de transport du réservoir d'eau sale |
| 2 Commutateur d'entraînement de brosse              | 25 Couvercle réservoir d'eau fraîche            |
| 3 Commutateur solution de nettoyage                 |   |
| 4 Tuyau solution de nettoyage                       |   |
| 5 Filtre pour des bouloches de déchets (aspiration) |   |
| 6 Blocage guidon de poussée                         |   |
| 7 Touche de verrouillage roue de transport          |   |
| 8 Roulette de transport                             |   |
| 9 Guidon de poussée                                 |   |
| 10 Crochet de soulagement de traction               |   |
| 11 Support roue de transport                        |   |
| 12 Clip   |   |
| 13 Réservoir d'eau propre                           |   |
| 14 Réservoir d'eau sale                             |   |
| 15 Poussoir changement de barre d'aspiration        |   |
| 16 Flotteur   |   |
| 17 Touche changement de brosse                      |   |
| 18 Train de roulement                               |   |
| 19 Barre d'aspiration                               |   |
| 20 Brosses rotatives                                |   |
| 21 Poignée rotative pression d'appui des brosses    |   |
| 22 Pédale abaissement barre d'aspiration            |   |
| 23 Fiche secteur                                    |   |

## Avant la mise en service

### Monter le guidon de poussée



→ Pousser la moitié supérieure de l'étrier de poussée sur la moitié inférieure de l'étrier de poussée.

#### **⚠ Avertissement**

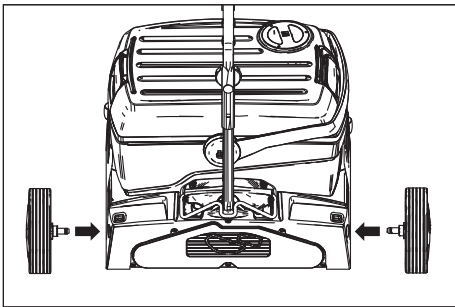
*Risque d'endommagement. Ne pas coincer le câble lors du montage.*

→ Aligner les alésages (2 réglages en hauteur possibles).

→ Connecter les deux moitiés de l'étrier de poussée avec les boulons bruts à tête bombée et collet carré, les rondelles et les poignées en étoile.

→ Fixer les câbles avec les clips sur l'étrier de poussée.

## Monter les roues de transport



- Enficher les essieux des roues de transport dans les alésages sur l'appareil et les enclencher.

## Montage des brosses

Les brosses doivent être montées avant la mise en service (voir 'Travaux de maintenance').

## Fonctionnement

### Remarque

Relâcher l'étrier de commande pour mettre immédiatement l'entraînement des brosses hors service.

## Remplissage de carburant

### ⚠ Avertissement

Risque d'endommagement. Utiliser uniquement les détergents recommandés. Pour tout autre détergent, l'exploitant prend des risques plus élevés quant à la sécurité du travail et au risque d'accident. Utiliser uniquement des détergents exempts de solvants, d'acide chlorhydrique et fluorhydrique.

### Remarque

Ne jamais utiliser de détergents extrêmement moussants. Tenir compte des consignes de dosage.

Détergents recommandés :

- Ouvrir le couvercle du réservoir d'eau propre.
- Remplir de mélange détergent-eau. Température maximale du liquide, 120°F (50°C).

### Remarque

Le couvercle du réservoir d'eau propre peut être utilisé pour le dosage du détergent. Le contenu jusqu'au repère du couvercle retourné est de 1% du réservoir d'eau propre.

- Fermer le couvercle du réservoir d'eau propre.

## Déplacement vers le lieu d'utilisation

### Voies courtes sur une surface plane

- Mettre l'étrier de poussée en position verticale.

- Mettre la poignée rotative de pression d'appui des brosses dans la position déplacement.
- Pousser l'appareil sur le lieu d'utilisation au moyen du guidon de poussée.

### Voies longues, surfaces inégales

- Mettre l'étrier de poussée en position verticale et faire basculer le blocage vers le haut.

- Monter les roues de transport.

- Basculer l'appareil sur le côté et le pousser vers le site de mise en œuvre sur les roues de transport.

Si les roues de transport gênent lors de la mise en œuvre de l'appareil :

- appuyer sur la touche de déverrouillage de la roue de transport et retirer celle-ci.
- Enficher les roues de transport jusqu'à la butée dans le support de roue de transport.

## Régler la pression de la brosse

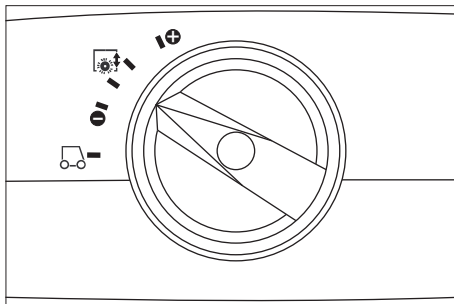
- Mettre l'étrier de poussée en position verticale.
- Régler la poignée rotative de pression d'appui des brosses sur la valeur souhaitée.

### Remarque

Effectuer les premiers essais de nettoyage avec une pression d'appui réduite. Augmenter peu à peu la pression jusqu'à atteindre le résultat de nettoyage désiré. Un bon réglage de la pression d'appui diminue l'usure des brosses.

En cas de surcharge, l'entraînement de brosse est mis hors service.

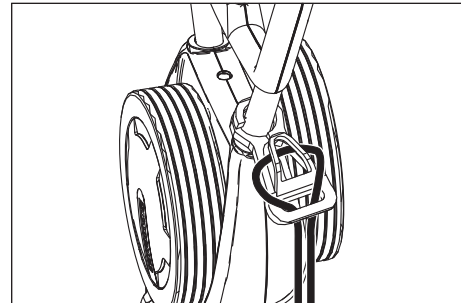
Lors du nettoyage avec des brosses à microfibrilles, la pression d'appui doit être réglée sur la position montrée ci-dessous au maximum. Si la pression d'appui est supérieure, il existe un risque de destruction des brosses à microfibrilles.



## Établir le raccordement de réseau

### ⚠ Danger

Vérifier le bon état de la conduite de raccordement de réseau de l'appareil avant chaque fonctionnement. Ne pas mettre l'appareil en service avec un câble endommagé. Laisser changer le câble endommagé par un électricien.



- Accrocher l'extrémité de la rallonge comme boucle dans le crochet de soulagement de traction.
- Brancher la fiche secteur.

## Nettoyage

- Si la solution de nettoyage doit être aspirée après le processus de nettoyage, actionner la pédale d'abaissement de barre d'aspiration.
- Basculer l'étrier de poussée vers l'opérateur, le train de roulement est rentré et les brosses touchent le sol.
- Mettre les brosses en service en actionnant le commutateur d'entraînement de brosses.
- Mettre l'arrosage des brosses en service en actionnant le commutateur de solution de nettoyage.
- Guider l'appareil sur la surface à traiter avec l'étrier de poussée.

### ⚠ Avertissement !

Risque d'endommagement pour le revêtement de sol. Ne pas exploiter l'appareil sur place.

## Polissage

- Basculer l'étrier de poussée vers l'opérateur, le train de roulement est rentré et les brosses touchent le sol.
- Mettre les brosses en service en actionnant le commutateur d'entraînement de brosses.
- Guider l'appareil sur la surface à traiter avec l'étrier de poussée.

### ⚠ Avertissement !

Risque d'endommagement pour le revêtement de sol. Ne pas exploiter l'appareil sur place.

### Remarque

Pour le polissage sous les objets d'ameublement, il est possible de retirer le réservoir d'eau propre et le réservoir d'eau sale.

## Arrêt et mise hors marche de l'appareil

- Relâcher le commutateur de solution de nettoyage.
- Avancer l'appareil d'encre 3-6 ft (1 à 2 m) pour aspirer l'eau restante.
- Relâcher le commutateur d'entraînement de brosse.
- Actionner la pédale d'abaissement de barre d'aspiration.
- Mettre l'étrier de poussée en position verticale, les brosses sont soulevées.
- Débrancher le câble d'alimentation.

### ⚠ Avertissement

Risque de déformation des brosses. Lors du rangement de l'appareil, décharger la contrainte de l'étrier de poussée en mettant les brosses en position verticale

## Vidange du réservoir d'eau propre

- Ouvrir les verrouillages du réservoir d'eau propre.
- Basculer la poignée de transport du réservoir d'eau sale sur le côté.
- Soulever le réservoir d'eau propre et l'emporter au dispositif d'élimination.

### ⚠ Avertissement

Tenir compte des prescriptions locales pour le traitement des eaux usées.

- Enlever le couvercle du réservoir d'eau propre et verser le fluide sur la rainure.

## Vidange du réservoir d'eau sale

### Remarque

Si le réservoir d'eau sale est plein, le flotteur ferme le canal d'aspiration. L'aspiration est alors interrompue. Vider le réservoir d'eau sale.

- Réserver le réservoir d'eau propre de la manière décrite précédemment.
- Soulever le réservoir d'eau sale et l'emporter au dispositif d'élimination.

### ⚠ Avertissement

Tenir compte des prescriptions locales pour le traitement des eaux usées.

- Faire couler l'eau sale.
- Rincer le réservoir d'eau sale à l'eau propre.

## Transport

- Pour le transport sur un véhicule, bloquer l'appareil pour l'empêcher de glisser.

Pour réduire la place nécessaire, il est possible de rabattre ou de démonter l'étrier de poussée :

- Desserrer les boutons cannelés pour la fixation du guidon de poussée.
- Dévisser les poignées en étoile, sortir les vis et retirer la moitié supérieure du guidon de poussée.

## Entretien et maintenance

### ⚠ Danger

Risque de blessure !

Avant d'effectuer tout type de travaux sur l'appareil, débrancher la fiche secteur.

### ⚠ Avertissement

Risque de dommage pour l'appareil par eau que fuit. Vider l'eau sale et l'eau propre résiduaire avant commencer les travaux à l'appareil.

## Plan de maintenance

### Après le travail

#### ⚠ Avertissement

Risque d'endommagement. Ne pas laver l'appareil au jet d'eau et ne jamais utiliser de détergents agressifs.

- Faire couler l'eau sale.
- Rincer le réservoir d'eau sale à l'eau propre.
- Vider le réservoir d'eau propre.
- Remplir le réservoir d'eau propre d'eau claire et rincer l'appareil pour éviter les dépôts.
- Enlever l'eau restante du réservoir d'eau propre.
- Contrôler le joint du robinet sphérique d'arrêt dans le réservoir d'eau propre.
- Contrôler le tamis à peluches et le cas échéant, le nettoyer.
- Laisser sécher le réservoir avant de les refermer pour éviter la formation d'odeurs.
- Nettoyer l'extérieur de l'appareil avec un chiffon humide et imbibé de détergent doux.
- Nettoyer les lèvres d'aspiration, puis contrôler leur degré d'usure et le cas échéant remplacer la barre d'aspiration.
- Contrôler le degré d'usure des brosses et le cas échéant, les remplacer.
- Nettoyer les barrettes de répartition d'eau au-dessus des brosses, les retirer si nécessaire et les rincer à l'eau.

## Mensuellement

- Contrôler les joints entre le réservoir d'eau sale et l'appareil ; le cas échéant, les remplacer.
- Nettoyer le tunnel de brosse.

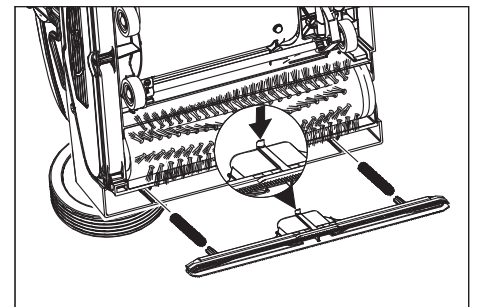
## Tous les ans

- L'inspection prescrite doit être effectuée par le service après-vente.

## Travaux de maintenance

### Remplacer la barre d'aspiration

- Soulever la barre d'aspiration en actionnant la pédale Abaissement de la barre d'aspiration.
- Presser le poussoir de changement de barre d'aspiration vers l'intérieur, la barre d'aspiration se dégage.
- Sortir la barre d'aspiration vers le bas.
- Retirer les ressorts cylindriques et les enficher sur la nouvelle barre d'aspiration.



- Aligner la nouvelle barre d'aspiration de telle manière que le nez d'enclenchement soit orienté vers le centre de l'appareil.
- Enfiler les ressorts cylindriques dans les réceptions sur l'appareil.
- Enfoncer la barre d'aspiration dans l'appareil et l'enclencher.
- Renouveler le processus pour la seconde barre d'aspiration.

### Remarque

Un remplacement régulier des deux barres d'aspiration améliore l'effet du racle et prolonge la durée de vie.

### Remplacement des rouleaux-brosses

- Disposer l'appareil sur le côté.
- Appuyer sur la touche de changement de brosse et basculer simultanément la brosse rotative vers le bas.
- Retirer le rouleau-brosse.
- Enficher la nouvelle brosse rotative sur l'entraîneur et l'enclencher.

### Contrat de maintenance

Afin de pouvoir garantir un fonctionnement fiable de l'appareil, il est possible de conclure des contrats de maintenance avec le bureau de ventes Kärcher responsable.

## Protection antigel

En cas de risque de gel :

- Vider le réservoir d'eau propre et le réservoir d'eau sale.
- Actionner le commutateur solution de nettoyage jusqu'à ce qu'il ne sorte plus d'eau.
- Déposer l'appareil dans une pièce à l'abri du gel.

## Pannes

### **⚠ Danger**

*Risque de blessure !*

*Avant d'effectuer tout type de travaux sur l'appareil, débrancher la fiche secteur.*

### **⚠ Avertissement**

*Risque de dommage pour l'appareil par eau que fuit. Vider l'eau sale et l'eau propre résiduaire avant commencer les travaux à l'appareil.*

En cas de pannes ne pouvant pas être résolues grâce aux instructions de ce tableau, appeler le service après-vente.

## Pannes

Panne	Remède
Il est impossible de mettre l'appareil en marche	Vérifier si la fiche secteur est branchée.
	Protection par fusible de la prise trop faible, recherche une prise appropriée.
Quantité d'eau insuffisante	Contrôler le niveau d'eau propre et en cas de besoin, remplir le réservoir
	Nettoyer le robinet sphérique d'arrêt dans le réservoir d'eau propre.
	Contrôler que le réservoir d'eau propre est correctement fixé sur l'appareil.
	Filtre dans le réservoir d'eau propre bouché, nettoyer le filtre.
	Contrôler si les flexibles sont bouchés, en cas de besoin nettoyer.
Puissance d'aspiration insuffisante	Vider le réservoir d'eau sale.
	Contrôler que le réservoir d'eau propre est correctement fixé sur le réservoir d'eau sale.
	Contrôler et nettoyer le joint sur le réservoir d'eau propre.
	Nettoyer les joints entre le réservoir d'eau sale et l'appareil et vérifier s'ils sont étanches, en cas de besoin remplacer.
	Nettoyer le tamis à peluches.
	Nettoyer les lèvres d'aspiration sur la barre d'aspiration et en cas de besoin remplacer.
	Canal d'aspiration bouché, le nettoyer.
	Vérifier si la barre d'aspiration est colmatée et le cas échéant, éliminer le colmatage
Résultat de nettoyage insuffisant	Augmenter la pression d'appui des brosses.
	Contrôler le degré d'usure des brosses et le cas échéant, les remplacer.
	Utiliser des brosses rotatives adaptées au type d'encrassement et au revêtement de sol.
Les brosses ne se tournent pas	Vérifier si des corps étrangers bloquent les brosses et le cas échéant, éliminer les corps étrangers.
	Diminuer la pression.
	Le disjoncteur protecteur de surintensité s'est déclenché. Le disjoncteur protecteur de surintensité permet de nouveau le service après une minute au maximum.
L'appareil vibre	Les brosses rotatives sont ovalisées car elles n'ont pas été déchargées de leur contrainte par une mise en position verticale de l'étrier de poussée.



## Données techniques

<b>Performances</b>		
Tension nominale	V/Hz	120 / 60
Puissance absorbée moyenne	W	1100
Puissance du moteur d'aspiration	W	500
Puissance de moteur de brosses	W	1700
<b>Aspiration</b>		
Puissance d'aspiration, débit d'air	cfm l/s	42.4 20
Puissance d'aspiration, dépression	psi kPa	1.45 10
<b>Brosses de nettoyage</b>		
Largeur de travail	in mm	15.15 400
Diamètre des brosses	mm	96
Vitesse des brosses	t/min	650
<b>Dimensions et poids</b>		
Surface théoriquement nettoyable	yd <sup>2</sup> /h m <sup>2</sup> /h	478 400
Volume du réservoir d'eau propre/réservoir d'eau sale	GAL l	2.64 10
Longueur (sans guidon de poussée)	in mm	20.5 520
Largeur (sans barre d'aspiration)	in mm	18.5 470
Hauteur (sans guidon de poussée)	in mm	15 380
Poids (sans contenu du réservoir)	lbs kg	46.1 30
<b>Emissions sonores</b>		
Niveau de pression acoustique (EN 60704-1)	dB(A)	71
<b>Vibrations de l'appareil</b>		
Valeur globale de vibrations (ISO 5349)	m/s <sup>2</sup>	1,0

## Accessoires

		N° de réf.	Pièce	L'appareil besoin la pièce
Brosse d'aération, rouge (moyenne, standard)	Pour le nettoyage des sols pas trop sales ou sensibles.	4.762-249.0	1	2
Brosse d'aération, verte (grit)	Pour le nettoyage des sols très sales.	4.762-252.0	1	2
Brosse d'aération, orange (haut/bas)	Pour frotter des sols structurés (carrelage de protection etc.).	4.762-251.0	1	2
Brosse d'aération, blanche (douce)	Pour le polissage des sols.	4.762-250.0	1	2
Rouleau de pad	Pour la réception de pads de rouleau.	4.762-228.0	1	2
Pad, très doux, blanc	Pour le nettoyage et le polissage des sols sensibles.	6.369-727.0	1	2
Pad, doux, jaune	Pour le polissage des sols.	6.369-724.0	1	2
Pad, moyenne doux, rouge	Pour le nettoyage des sols pas trop sales.	6.369-726.0	1	2
Pad, dur, vert	Pour le nettoyage des sols normal ou très sales.	6.369-725.0	1	2
Brosse à microfibres	Pour retirer le voile gris	4.114-003.0	1	2
Barre d'aspiration, standard		4.777-323.0	1	2
Barre d'aspiration, résistante à l'huile		4.777-322.0	1	2
Câble de rallonge	20 m	6.647-022.0	1	1

### Pièces de rechange

- Utiliser uniquement des accessoires et des pièces de rechange autorisés par le fabricant. Des accessoires et des pièces de rechange d'origine garantissent un fonctionnement sûr et parfait de l'appareil.
- Une sélection des pièces de rechange utilisées le plus se trouve à la fin du mode d'emploi.
- Plus information sur les pièces de rechange vous les trouverez sous le menu Service.

## INSTRUCCIONES IMPORTANTES DE SEGURIDAD

## LEA TODAS LAS INSTRUCCIONES ANTES DE USAR LA MÁQUINA

### ADVERTENCIA

Para evitar el peligro de incendio, descarga eléctrica o heridas:

- No se aleje de la máquina mientras esté enchufada. Saque el enchufe de la base cuando no la esté usando, y antes del mantenimiento.

### ADVERTENCIA

- PARA EVITAR PELIGRO DE DESCARGAS ELÉCTRICAS, LA MÁQUINA SÓLO DEBE EMPLEARSE EN INTERIORES
- La máquina no es un juguete. Llevar mucho cuidado si va a utilizarse donde hay niños.
- La máquina sólo debe emplearse tal como se describe en este manual. Sólo deben usarse los accesorios recomendados por el fabricante.
- No emplearla si el cable o el enchufe están dañados. Si la máquina no funciona correctamente, si se ha caído, si está averiada, si ha permanecido al exterior o si ha caído al agua, devolverla al servicio posventa.
- No tirar de la máquina ni alzarla con el cable, no emplear el cable como manija, no aprisionarlo con una puerta ni pasarlo sobre esquinas o bordes agudos. No pasar la máquina sobre el cable. Mantener el cable alejado de fuentes de calor.
- Al desenchufar, no tirar del cable. Para desenchufar, tomar el enchufe y no el cable.
- No tocar el enchufe ni la máquina con las manos mojadas.
- No colocar objetos en las aberturas. No usar la máquina con las aberturas obstruidas; éstas deben estar libres de polvo, pelusa, pelos y cualquier otro objeto que pueda impedir el paso de aire.
- Mantener el cabello, la ropa, los dedos y todas las partes del cuerpo alejadas de las aberturas y las piezas móviles.
- Apagar la máquina antes de desenchufarla.
- Llevar mucho cuidado al trabajar en escaleras.

- No emplearla para recoger líquidos inflamables o combustibles, p.ej. gasolina, ni en zonas donde pueda haber dichos líquidos.
- Es imprescindible que la toma eléctrica esté debidamente puesta a tierra. Véanse las Instrucciones de Puesta a Tierra.

## GUARDE ESTAS INSTRUCCIONES

## INSTRUCCIONES DE PUESTA A TIERRA

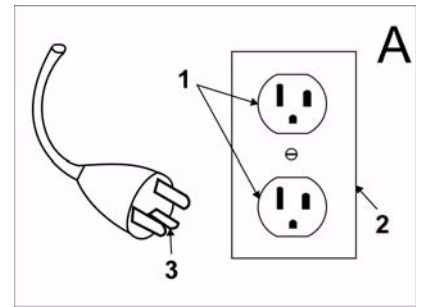
La máquina debe ser puesta a tierra. Si no funciona bien, o si se estropea, la puesta a tierra constituye una vía de menor resistencia para la corriente eléctrica, para disminuir el peligro de descarga eléctrica. La máquina está provista de cable con conductor de puesta a tierra, y enchufe con puesta a tierra. El enchufe debe insertarse en una base de enchufe adecuada, debidamente instalada y puesta a tierra, conforme a la legislación y las normas válidas en el lugar de utilización.

### ADVERTENCIA

Si el conductor de puesta a tierra de la máquina está mal conectado, puede haber peligro de descarga eléctrica. Consulte a un electricista experto o a un técnico de mantenimiento, si Ud. no sabe con certeza si la base de enchufe está correctamente puesta a tierra. No cambie el enchufe suministrado con la máquina - no encajará en la base de enchufe; acuda a un electricista experto.

La máquina está diseñada para emplearla en un circuito de 120 voltios; tiene un enchufe de puesta a tierra cuyo aspecto es como se ilustra en la Figura A. Cerciórese de conectar la máquina a una base de enchufe de la misma configuración que el conector. Con esta máquina no deben emplearse adaptadores.

## CONECTAR SÓLO A UNA BASE DE ENCHUFE CORRECTAMENTE PUESTA A TIERRA



- 1 Enchufe puesto a tierra
- 2 Caja de enchufe puesta a tierra
- 3 Pin puesto a tierra

## NORMAS Y PROCEDIMIENTOS DE SEGURIDAD DURANTE EL FUNCIONAMIENTO

### Responsabilidad del operario

El operario será responsable de garantizar un funcionamiento seguro.

El operario deberá estar familiarizado con el manejo y las funciones de todos los elementos de mando y todos los instrumentos antes de proceder al manejo de la unidad.

Antes de poner en funcionamiento la unidad, los operarios deberán haber leído el manual de instrucciones de la unidad particular de que se trate y estar familiarizados con él; además, deberán respetar las normas y procedimientos de seguridad que se describen a continuación.

Antes de poner en funcionamiento una unidad cualquiera, el operario deberá conocer bien las posibles condiciones inusuales de funcionamiento que requieren la adopción de determinadas precauciones especiales o para las que existen unas instrucciones de manejo especiales.

### Generalidades

Antes de poner en funcionamiento la unidad, ésta deberá encontrarse en la posición de servicio.

No ponga en marcha ni utilice la unidad ni ninguna de sus funciones o sus aditamentos desde un lugar que no sea el concebido para el operario.

Antes de abandonar la posición del operario:

- A pare la unidad por completo;
- B si es necesario dejar la unidad en una pendiente, bloquee las ruedas.

Guarde una distancia segura respecto a los bordes de las rampas y las plata-

formas, y respecto a los de otras superficies de trabajo similares. No efectúe ampliaciones ni modificaciones en la unidad.

No bloquee el acceso a las salidas previstas en caso de incendio, las escaleras o los extintores.

### Cuidado de la unidad por parte del operario

Si se descubre la necesidad de reparar la unidad o se detecta que ésta resulta insegura de alguna manera o que contribuye a crear condiciones de inseguridad, se debe informar de inmediato a la autoridad designada por el usuario. Además, la unidad no deberá volver a utilizarse hasta que se la haya devuelto a un estado operativo seguro.

Si, durante el funcionamiento, la unidad se vuelve insegura de alguna manera, se debe informar de inmediato a la autoridad designada por el usuario. Además, la unidad no deberá volver a utilizarse hasta que se la haya devuelto a un estado operativo seguro.

No lleve a cabo reparaciones ni practique ajuste alguno a no ser que haya sido expresamente autorizado para ello.

### TAREAS DE MANTENIMIENTO Y ACONDICIONAMIENTO

Si se descuida el mantenimiento o se practican en la unidad reparaciones, tareas de acondicionamiento o ajustes en los que no se respeten los criterios de diseño del fabricante, su manejo puede resultar peligroso. Por ello, se debe disponer de servicios de mantenimiento (dentro o fuera de las instalaciones), contar con personal cualificado y establecer unos modos de proceder detallados.

El mantenimiento y la inspección de la unidad deberán llevarse a cabo respetando las tareas que se indican a continuación:

- A se deben seguir unos esquemas de mantenimiento, lubricación e inspección conforme a su planificación; consulte las recomendaciones del fabricante.
- B el mantenimiento, las reparaciones, los ajustes y las inspecciones de la unidad sólo podrán ser llevados a cabo por personal cualificado y autorizado; además, dichas tareas se realizarán siempre de conformidad con las especificaciones del fabricante.

Evite las posibles fuentes de peligro de incendio y disponga siempre de extintores en la zona de trabajo. En la lim-

pieza de las piezas, no use recipientes de combustible abiertos ni líquidos limpiadores inflamables.

### NORMAS DE SEGURIDAD CONTRA INCENDIOS

Cuando las condiciones operativas de una unidad no sean seguras, ésta deberá ponerse fuera de servicio.

En los emplazamientos de la clase I, la clase II y la clase III está prohibido efectuar reparaciones.

Prevención contra incendios: la unidad se debe mantener limpia y debe estar razonablemente libre de pelusas, restos de aceite y grasa. Para limpiar la unidad, se recomienda usar preferiblemente agentes incombustibles. No está permitido emplear líquidos inflamables [aquellos cuyo punto de inflamación esté en 100°F (37,8°C) o por encima]. Se deben adoptar precauciones adecuadas al tipo de agente o disolvente empleado en lo que a la toxicidad, la ventilación y el peligro de incendios respecta.

Visibilidad de la placa de características: las denominaciones de tipo y las marcas de tipo de la unidad indicadas en la placa de características no deben cubrirse con pintura que oscurezca la información identificativa allí contenida.

No se debe utilizar la unidad en zonas clasificadas.



Antes de poner en marcha por primera vez el aparato, lea el presente manual de instrucciones y siga las instrucciones que figuran en el mismo. Conserve estas instrucciones para su uso posterior o para propietarios ulteriores.

### Índice de contenidos

Instrucciones de seguridad	20
Función	20
Uso previsto	21
Protección del medio ambiente	21
Elementos de mando	22
Antes de la puesta en marcha	22
Funcionamiento	23
Conservación y mantenimiento	24
Averías	25
Datos técnicos	27
Accesorios	28
Declaración CE	40
Garantía	26
Piezas de repuesto	28

### Instrucciones de seguridad

Antes de utilizar por primera vez el aparato, lea y tenga en cuenta el presente manual de instrucciones y el folleto adjunto relativo a las indicaciones de seguridad para aparatos de limpieza con cepillos y aparatos pulverizadores, 5.956-251.

### Símbolos

En este manual de instrucciones se emplean los siguientes símbolos:

#### Peligro

Indica la existencia de un peligro inminente. El incumplimiento de la indicación puede acarrear la muerte o lesiones de suma gravedad.

#### Advertencia

Hace alusión a una situación potencialmente peligrosa. El incumplimiento de la indicación puede provocar lesiones leves o daños materiales.

#### Nota

Identifica consejos de manejo e información importante sobre el producto.

### Función

El aparato sirve para efectuar la limpieza en húmedo o el pulido de pisos llanos.

Dos cepillos rotativos contrarrotantes limpian el suelo con ayuda del líquido limpiador añadido. Una anchura de trabajo de 16 in (400 mm) y una capacidad de los tanques de agua limpia y sucia de 10.5 (10 l) cada uno permiten una limpieza eficaz.

El funcionamiento vía red eléctrica permite obtener una elevada capacidad de rendimiento sin limitar de modo alguno el trabajo.

#### Nota



En función de la tarea de limpieza de que se desee realizar, es posible dotar al aparato de distintos accesorios. Solicite nuestro catálogo o visítenos en la página de internet.

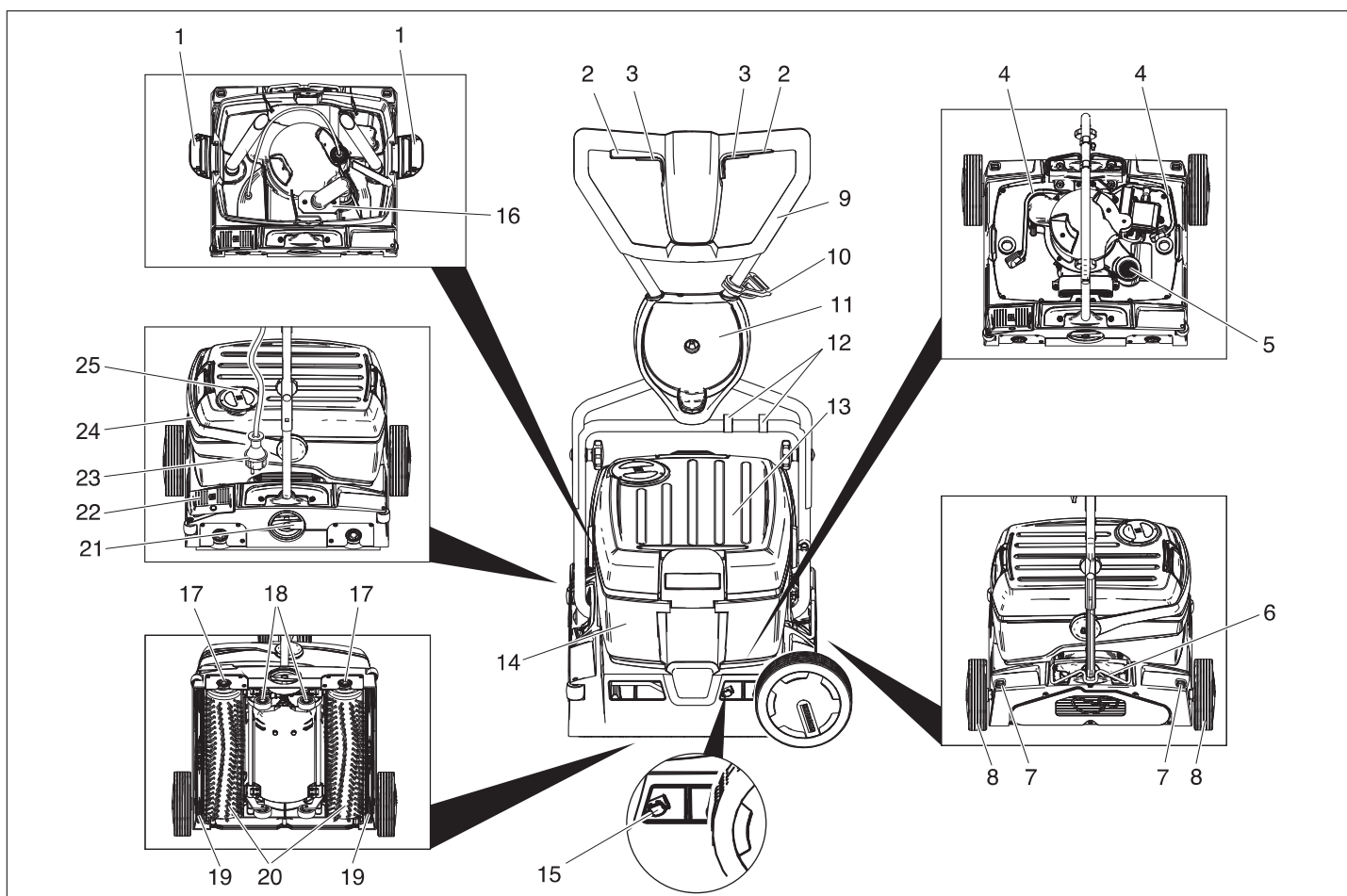
## Uso previsto

Utilice el aparato únicamente de conformidad con las indicaciones del presente manual de instrucciones.

- El aparato ha sido concebido exclusivamente para la limpieza de suelos lisos resistentes a la humedad y al pulido.  
El margen de temperaturas de servicio está comprendido entre los 41°F - 104°F (+5°C y los +40°C).
- El aparato no es apto para la limpieza de pisos congelados (p. ej., en almacenes frigoríficos).
- Sólo está permitido dotar al aparato de accesorios y piezas de repuesto originales.
- El aparato ha sido concebido para la limpieza de pisos en interiores o superficies techadas. Para otros campos de aplicación, deberá considerarse el uso de cepillos alternativos.
- El presente aparato no es apto para la limpieza de las vías públicas de tránsito.

## Protección del medio ambiente

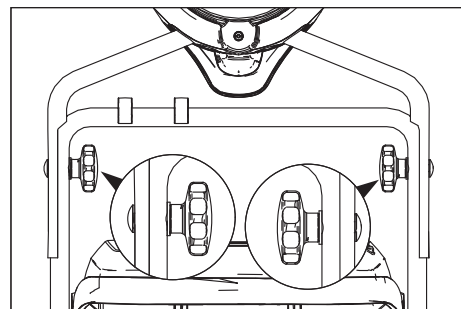
	Los materiales de embalaje son reciclables. Por favor, no tire el embalaje al cubo de basura; llévelo a un lugar de reciclaje.
	Los aparatos viejos contienen materiales valiosos reciclables que deberían aprovecharse. Evite el contacto de baterías, aceites y materias semejantes con el medioambiente. Deshágase de los aparatos viejos recurriendo a sistemas de recogida apropiados.



- |   |   |
|---|---|
| 1 Bloqueo de tanque de agua limpia                    | 24 Asa de transporte depósito de agua sucia |
| 2 Interruptor accionamiento de los cepillos           | 25 Tapa depósito de agua limpia             |
| 3 Interruptor solución de limpieza                    |   |
| 4 Manguera solución de limpieza                       |   |
| 5 Filtro de pelusas (aspiración)                      |   |
| 6 Dispositivo de bloqueo estribo de empuje            |   |
| 7 Tecla de desbloqueo rueda de transporte             |   |
| 8 Rueda de transporte                                 |   |
| 9 estribo de empuje                                   |   |
| 10 Gancho de relajación de esfuerzos mecánicos        |   |
| 11 Soporte rueda de transporte                        |   |
| 12 grapa  |   |
| 13 Depósito de agua limpia                            |   |
| 14 depósito de agua sucia                             |   |
| 15 Pulsador cambio de barra de aspiración             |   |
| 16 flotador   |   |
| 17 Tecla cambio de cepillos                           |   |
| 18 Tren de desplazamiento                             |   |
| 19 barra de aspiración                                |   |
| 20 Escobillas rotativas                               |   |
| 21 Empuñadura giratoria presión de apriete de cepillo |   |
| 22 Pedal para bajar la barra de aspiración            |   |
| 23 Clavija de red                                     |   |

## Antes de la puesta en marcha

### Montar el estribo de empuje



→ Desplazar la mitad superior del estribo de empuje sobre la mitad inferior del estribo de empuje.

#### ⚠ Advertencia

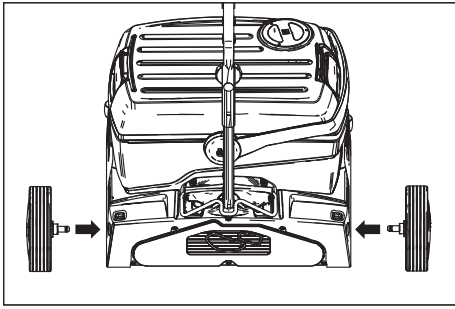
*Peligro de daños en la instalación. No enganchar el cable durante el montaje.*

→ Alinear los orificios (2 ajustes de altura posibles).

→ Unir las mitades del estribo de empuje con tornillos de cierre, arandelas y mangos de estrella.

→ Fijar el cable con clips al estribo de empuje.

## Montar ruedas de transporte



- Insertar los ejes de las ruedas de transporte en los orificios del aparato y encajarlos.

## Montaje de los cepillos

Antes de la puesta en servicio, se tienen que montar los cepillos (véase "Trabajos de mantenimiento").

## Funcionamiento

### Nota

Para poner el accionamiento de los cepillos fuera de servicio de manera inmediata, afloje el interruptor para el accionamiento de los cepillos.

## Adición de combustibles

### ⚠ Advertencia

Peligro de daños en la instalación. Utilice únicamente el detergente recomendado. En caso de usar otros detergentes, el propietario-usuario asume unos mayores riesgos en lo que a la seguridad durante el funcionamiento y al peligro de sufrir accidentes se refiere. Utilice únicamente detergentes que no contengan disolventes, ácidos clorhídricos ni ácidos hidrofúoricos.

### Nota

No utilice detergentes altamente espumosos. Respete las indicaciones de dosificación.

Detergente recomendado:

- Abra la tapa del depósito de agua limpia.
- Añadir mezcla de agua y detergente. Temperatura máxima del líquido 120°F (50 °C).

### Nota

La tapa del depósito de agua limpia puede utilizarse para dosificar el detergente. El contenido de la tapa dada la vuelta hasta la marca equivale al 1% del depósito de agua limpia.

- Cierre la tapa del depósito de agua limpia.

## Conducción hasta el lugar de empleo

### Recorridos cortos sobre superficie plana

- Colocar estribo de empuje verticalmente.
- Colocar empuñadora giratoria de presión de apriete del cepillo en la posición de marcha.
- Empuje el aparato hasta el lugar de uso por el estribo de empuje.

### Recorridos largos, superficies no planas

- Colocar verticalmente estribo de empuje y girar hacia arriba el dispositivo de bloqueo.
- Montar ruedas de transporte.
- Inclinar el aparato a un lado y desplazarlo sobre las ruedas de transporte hasta el lugar de empleo.

Si las ruedas de transporte están en camino al usar el aparato:

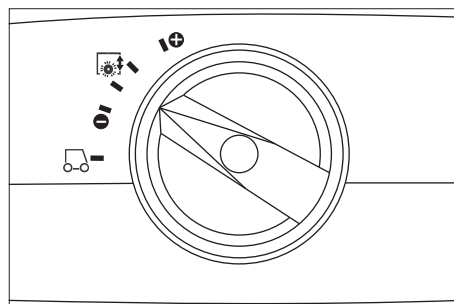
- Pulsar la tecla de desbloqueo de la rueda de transporte y sacar rueda de transporte.
- Insertar las ruedas de transporte hasta el tope en el soporte de ruedas de transporte.

## Ajustar la presión de apriete de los cepillos

- Colocar estribo de empuje verticalmente.
- Ajustar en el valor deseado la empuñadura giratoria de la presión de apriete de cepillos.

### Nota

Llevar a cabo los primeros intentos con menos presión de apriete. Aumentar la presión de apriete poco a poco, hasta alcanzar el resultado de limpieza deseado. Si se ajusta correctamente la presión de apriete se reduce el desgaste de los cepillos. En caso de sobrecarga se desconectará el accionamiento del cepillo. Al limpiar con rodillos de microfibra la presión de apriete debe estar ajustada como máximo en la posición mostrada abajo. Si la presión de apriete es mayor existe peligro de que se destruyan los rodillos de microfibra.



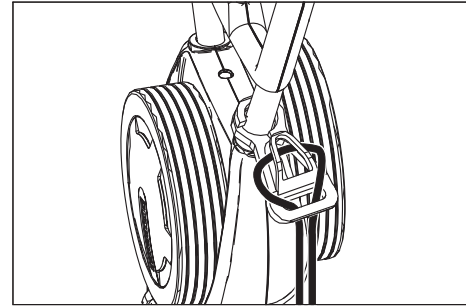
## Establecimiento de la conexión a red

### ⚠ Peligro

Comprobar si la conexión a red del aparato está en perfecto estado antes de cada puesta en funcionamiento. No poner en funcionamiento el aparato si el cable está dañado. Un electricista debe cambiar el cable dañado.

### ⚠ Advertencia

La impedancia de red máxima permitida en el punto de conexión eléctrica (véanse los datos técnicos) no debe ser excedida.



- Enganche el extremo del cable de prolongación a modo de lazo en el gancho de relajación de esfuerzos mecánicos.
- Enchufe la clavija de red.

## Limpieza

- Si hay que aspirar la solución de limpieza después del proceso de limpieza, accionar el pedal de bajada de la barra de aspiración.
- Girar el estribo de empuje hacia el operario - el tren de desplazamiento se retira y los cepillos tocan el suelo.
- Conectar los cepillos accionando el interruptor accionamiento de cepillos.
- Conectar la irrigación de cepillos accionando el interruptor solución de detergente.
- Dirigir el aparato en el estribo de empuje sobre la superficie que va a trabajarse.

### ⚠ Advertencia

Peligro de daños para el revestimiento del suelo. No utilice el aparato en esa zona.

## Pulir

- Girar el estribo de empuje hacia el operario - el tren de desplazamiento se retira y los cepillos tocan el suelo.
- Conectar los cepillos accionando el interruptor accionamiento de cepillos.
- Dirigir el aparato en el estribo de empuje sobre la superficie que va a trabajarse.

### ⚠ Advertencia

*Peligro de daños para el revestimiento del suelo. No utilice el aparato en esa zona.*

### Nota

*Para pulir debajo de muebles puede retirarse el depósito de agua limpia y sucia.*

## Detención y apagado

- Soltar el interruptor de la solución de limpieza.
- Conduzca el aparato entre 3-6 ft (1-2 m) hacia delante para aspirar el agua restante.
- Soltar interruptor para el accionamiento de los cepillos.
- Accionar pedal de bajada de barra de aspiración.
- Colocar verticalmente el estribo de empuje - los cepillos se elevan.
- Desenchufe el cable de red.

### ⚠ Advertencia

*Peligro de deformación de los cepillos. Al apagar el aparato descargar los cepillos colocando verticalmente el estribo de empuje*

## Vaciado del depósito de agua limpia

- Abrir bloqueos de depósito de agua limpia.
- Girar a un lado el asa de transporte del depósito de agua sucia.
- Elevar depósito de agua limpia y llevar a instalación de eliminación.

### ⚠ Advertencia

*Respetar la normativa local vigente en materia de tratamiento de aguas residuales.*

- Retirar tapa de depósito de agua limpia y verter el líquido a través de la entalladura.

## Vaciado del depósito de agua sucia

### Nota

*Cuando el depósito de agua sucia está lleno, el flotador cierra el canal de admisión. La aspiración se interrumpe. Vaciar el depósito de agua sucia.*

- Retirar el depósito de agua limpia, como se describe arriba.
- Elevar depósito de agua sucia y llevar a instalación de eliminación.

### ⚠ Advertencia

*Respetar la normativa local vigente en materia de tratamiento de aguas residuales.*

- Verter el agua sucia.
- Aclare el depósito de agua sucia con agua limpia.

## Transporte

- Para el transporte sobre un vehículo, fije el aparato para impedir que resbale.

Para reducir el espacio requerido, se puede plegar o desmontar el estribo de empuje:

- Afloje el mango en estrella de la fijación del estribo de empuje.
- Destornillar los mangos de estrella, retirar los tornillos y retirar la mitad superior del estribo de empuje.

## Conservación y mantenimiento

### ⚠ Peligro

*Peligro de lesiones. Antes de realizar cualquier trabajo en el aparato, desenchúfelo:*

### ⚠ Advertencia

*Si se sale agua se puede dañar el aparato. Purgar el agua sucia y el resto de agua limpia antes de trabajar en el aparato.*

## Plan de mantenimiento

### Después del trabajo (

#### ⚠ Advertencia

*Peligro de daños en la instalación. No salpique al aparato con agua ni utilice detergentes agresivos.*

- Verter el agua sucia.
- Aclare el depósito de agua sucia con agua limpia.
- Vaciar el depósito de agua limpia.
- Llenar el depósito de agua limpia con agua limpia y aclarar el aparato para evitar sedimentos.
- Retirar el agua restante del depósito de agua limpia.
- Comprobar la junta de la válvula de bola en el depósito de agua limpia.
- Compruebe el filtro de pelusas; en caso necesario, límpielo.

- Dejar secar los depósitos antes de cerrarlos para evitar la formación de olores.
- Limpie el aparato por fuera con un trapo húmedo ligeramente empapado en una solución jabonosa suave.
- Limpie los labios de aspiración; compruebe si presentan desgaste y, en caso necesario, cambiar la barra de aspiración.
- Compruebe si los cepillos presentan desgaste y, en caso necesario, cámbielos.
- Limpiar las regletas de distribución de agua por encima de los cepillos, extraer si es necesario y enjuagar con agua.

### Mensualmente

- Compruebe el estado de las juntas situadas entre el aparato y el depósito de agua sucia y, en caso necesario, cámbielas.
- Limpie el canal de los cepillos.

### Anualmente

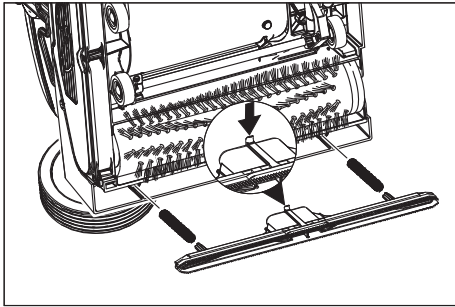
- Encargue al servicio técnico la revisión anual obligatoria.



## Trabajos de mantenimiento

### Renovar la barra de aspiración

- Elevar la barra de aspiración accionando el pedal de bajada de barra de aspiración.
- Apretar el pulsador de cambio de barra de aspiración hacia adentro - la barra de aspiración se desencaja.
- Sacar la barra de aspiración empujándola hacia abajo.
- Retirar los resortes de tornillos e insertarlos en la nueva barra de aspiración.



- Alinear la nueva barra de aspiración de modo que la lengüeta de retención apunte al centro del aparato.
- Enhebrar los resortes de tornillo en los alojamientos del aparato.
- Empujar la barra de aspiración en el aparato y encajarla.
- Repetir el procedimiento para la segunda barra de aspiración.

### Nota

*El intercambio regular de las dos barras de aspiración mejora el efecto fro-tador y prolonga la duración.*

### Recambio del cepillo cilíndrico

- Colocar el aparato a un lado.
- Pulsar la tecla de cambio de cepillos y simultáneamente abatir los cepillos rotativos.
- Extraer el cepillo rotativo.
- Insertar los nuevos cepillos rotativos en el arrastrador y encajarlos.

### Contrato de mantenimiento

Para garantizar el funcionamiento seguro del aparato, es posible firmar contratos de mantenimiento con el departamento comercial correspondiente de Windsor.

## Protección antiheladas

En caso de peligro de heladas:

- Vacíe el depósito de agua limpia y el depósito de agua sucia.
- Pulsar el interruptor de solución de detergente hasta que ya no salga agua.
- Guarde el aparato en un lugar protegido de las heladas.

## Averías

### ⚠ Peligro

*Peligro de lesiones*

*Antes de realizar cualquier trabajo en el aparato, desenchúfelo:*

### ⚠ Advertencia

*Si se sale agua se puede dañar el aparato. Purgar el agua sucia y el resto de agua limpia antes de trabajar en el aparato.*

Cuando las averías no se puedan solucionar con ayuda de la tabla que aparece a continuación, acuda al servicio técnico.

## Averías

<b>Avería</b>	<b>Modo de subsanarla</b>
No se puede poner en marcha el aparato	Compruebe si está enchufada la clavija de red
	Fusible de la toma de corriente demasiado bajo, buscar una toma de corriente adecuada.
Caudal de agua insuficiente	Compruebe el nivel de agua limpia y, de ser necesario, llene el depósito.
	Limpie la válvula de bola del depósito de agua limpia.
	Comprobar si el depósito de agua limpia está asentado correctamente en el aparato.
	Filtro en depósito de agua limpia obstruido, limpiar filtro.
	Comprobar si los tubos están atascados, si es necesario limpiar.
Potencia de aspiración insuficiente	Vacíe el depósito de agua sucia.
	Comprobar si el depósito de agua limpia está asentado correctamente sobre el depósito de agua sucia.
	Comprobar junta del depósito de agua limpia, limpiar.
	Limpie las juntas situadas entre el aparato y el depósito de agua sucia; compruebe su estanqueidad y, en caso necesario, cámbielas.
	Limpie el filtro de pelusas.
	Limpie los labios de aspiración de la barra de aspiración y, en caso necesario, cámbielos
	Canal de aspiración obstruido, limpiar.
	Compruebe si la barra de aspiración está obstruida y, de ser necesario, desatásquela
Resultados de limpieza insuficientes	Elevar la presión de apriete de cepillo.
	Compruebe si los cepillos presentan desgaste y, en caso necesario, cámbielos.
	Utilizar los cepillos rotativos adecuados al tipo de suciedad y el tipo de suelo.
Los cepillos no giran	Compruebe si hay cuerpos extraños bloqueando los cepillos y, de ser así, elimínelos.
	Reducir la presión de apriete.
	El interruptor de protección contra sobrecorriente se ha activado. El interruptor de protección contra sobrecorriente vuelve a activar el servicio después de un minuto como máximo.
El aparato vibra	Los cepillos rotativos están deformados porque al apagar el aparato no han sido descargados colocando en posición vertical el estribo de empuje, cambiar los cepillos rotativos.

## Datos técnicos

<b>Potencia</b>		
Tensión nominal	V/Hz	120 / 60
Consumo medio de potencia	W	1100
Potencia del motor de aspiración	W	500
Potencia del motor de barrido	W	1700
<b>Aspirar</b>		
Potencia de aspiración, caudal de aire	cfm l/s	42.4 20
Potencia de aspiración, depresión	psi kPa	1.45 10
<b>Cepillos de limpieza</b>		
Anchura de trabajo	in mm	15.15 400
Diámetro cepillos	mm	96
Nº de rotaciones de los cepillos	1/min	650
<b>Medidas y pesos</b>		
Potencia teórica por metro cuadrado	yd <sup>2</sup> /h m <sup>2</sup> /h	478 400
Volumen de los depósitos de agua limpia y agua sucia	GAL l	2.64 10
Longitud (sin estribo de empuje)	in mm	20.5 520
Anchura (sin barra de aspiración)	in mm	18.5 470
Altura (sin estribo de empuje)	in mm	15 380
Peso (con el depósito vacío)	lbs kg	46.1 30
<b>Emisión sonora</b>		
Nivel de presión acústica (EN 60704-1)	dB(A)	71
<b>Vibraciones del aparato</b>		
Valor total de la vibración (ISO 5349)	m/s <sup>2</sup>	1,0

## Accesorios

		Nº referen- cia	Unidad	Aparato necesita pieza
Cepillo rotativo, rojo (medio, estándar)	Para limpiar pavimentos de poca suciedad o delicados.	4.762-249.0	1	2
Cepillo rotativo, verde (Grit)	Para limpiar pavimentos muy sucios.	4.762-252.0	1	2
Cepillo rotativo, naranja (alto/profundo)	Para frotar pavimentos con estructura (alicatado de seguridad etc.)	4.762-251.0	1	2
Cepillo rotativo, blanco (suave)	Para pulir pavimentos.	4.762-250.0	1	2
Eje de cilindro pad	Para alojamiento del pad del cilindro.	4.762-228.0	1	2
Almohadilla, muy suave, blanca	Para limpiar y pulir pavimentos delicados.	6.369-727.0	1	2
Almohadilla, suave, amarilla	Para pulir pavimentos.	6.369-724.0	1	2
Almohadilla, suavidad media, rojo	Para limpiar pavimentos ligeramente sucios.	6.369-726.0	1	2
Almohadilla, dura, verde	Para limpiar pavimentos de suciedad normal hasta grande.	6.369-725.0	1	2
Rodillos de microfibra	Para eliminar velos grises	4.114-003.0	1	2
Barra de aspiración, estándar		4.777-323.0	1	2
Barra de aspiración, resistente al aceite		4.777-322.0	1	2
cable de prolongación	20 m	6.647-022.0	1	1

### Piezas de repuesto

- Sólo deben emplearse accesorios y piezas de repuesto originales o autorizados por el fabricante. Los accesorios y piezas de repuesto originales garantizan el funcionamiento seguro y sin averías del aparato.
- Podrá encontrar una selección de las piezas de repuesto usadas con más frecuencia al final de las instrucciones de uso.

# WINDSOR INDUSTRIES

## North American New Machine Warranty

### Effective on all products shipped AFTER March 31, 2010

#### Limited Warranty

Windsor warrants new machines against defects in material and workmanship under normal use and service to the original purchaser. Any statutory implied warranties, including any warranty of merchantability or fitness for a particular purpose, are expressly limited to the duration of this written warranty. Windsor will not be liable for any other damages, including but not limited to indirect or special consequential damages arising out of or in connection with the furnishing, performance, use or inability to use the machine. This remedy shall be the exclusive remedy of the buyer.

The warranty period is subject to the conditions stated below.

#### 10 / 3 Warranty: 10 Years Polyethylene (PE) Housings, 3 Years Parts, and Service Labor

Subject to conditions outlined below, Windsor warrants rotationally molded PE housings and parts on all of its machines to be free from defects in material and workmanship, under normal use and service for ten (10) years to the original owner.

Under this warranty we guarantee the performance of non-polyethylene parts and components to be free from defects for up

to three (3) years to the original end user. Parts replaced or repaired under this warranty are guaranteed for the remainder of the original warranty period. (See table below)

Service labor charges are covered for up to three (3) years from the date of purchase through authorized Windsor service provider. No travel coverage is extended for cord-electric models. See table below for each general product model warranty coverage.

#### Upright Vacuums:

Product	Non- PE Parts		Service Labor
Versamatic® / Flexamatic® / Access	Belts	Lifetime	1 year
	Vacuum Motor, Swivel Neck and Chassis	3 years	3 years
	Brush Motor and Bag Housing	5 years	5 years
SENSOR®	Belts	Lifetime	1 year
	Vacuum Motor and Chassis	2 years	2 years
	Bag Housing	5 years	5 years

#### Upright Vacuums Exceptions and Exclusions:

Normal wear items not limited to brushes, foot pedal, cords, clutches, filters, gaskets, hoses, and bearings will be warranted for

manufacturing defects for 90 days from the purchase date. All other items are 1 year parts and labor.

#### All Other Products:

Product	PE Housing & Parts	Non- PE Parts	Service Labor	Travel
Rider / Stand up Scrubbers	10 years	3 years or 2000 hours	3 years or 2000 hours	6 Months
Rider Sweepers	10 years	3 years	3 years	6 Months
Walk Behind Scrubbers	10 years	3 years or 2500 hours	3 years or 2500 hours	6 Months
Walk Behind Sweepers	10 years	3 years	3 years	6 Months
Battery Burnishers	10 years	3 years	3 years	6 Months
Extractors / Compass	10 years	3 years	3 years	-
Polishers / Elec. Burnishers / GH / iCapsol Mini	10 years	3 years	3 years	-
Wide Areas Vacuums	10 years	3 years	3 years	-
VacPak Vacuums	10 years	1 year	1 year	-
Tracer/Flex Sweepers/Scrubbers	10 years	3 years	3 months	90 days
Air Movers / Dri-matic / TITAN™ /Rombus/Priza	1 year	1 year	1 year	-
Canister Vacuum	1 year	1 year	1 year	-
Wet/Dry Vacuum	1 year	1 year	1 year	-
Broom	1 year	1 year	1 year	-
Steamer	1 year	1 year	1 year	-
Propane Burnishers / Strippers	-	2 years	1 year	-

#### Product exceptions and Exclusions:

- Extractor brush motors, **ALL** pump motors, **ALL** PC boards and electronics, **ALL** Vacuum motors, **ALL** pumps, and diaphragms/Tank bags carry a one (1) year parts and service labor warranty.
- The Eagle-Robin® engines have three (3) year manufacturer's warranty. The Honda® and Kawasaki® engines have

two (2) year manufacturer's warranty.

**NOTE:** The engine warranty is administered through the engine manufacturer and must be repaired at an authorized service center.

Normal wear items and accessories including, but not limited to, belts, brushes, carbon brushes, clutches, cords, filters, finishes, gaskets, hoses, light bulbs,

squeegees, bearings, actuating cables, tires, and propane tanks will be warranted for manufacturing defects for 90-days from the purchase date. The warranty commences on the purchase date by the original end user from an authorized Windsor agent, subject to proof of purchase. The Machine Registration Card must be completed and returned immediately at the time of purchase. If proof of purchase cannot be

identified, the warranty start date is 90 days after the date of sale to an authorized Windsor distributor. Parts replaced or repaired under warranty are guaranteed for the remainder of the original warranty period.

#### **90 Day Warranty Extension Available**

Upon receipt of the Machine Registration Card, Windsor will extend by 90 days, from the date of purchase, all items included under the one-year provision. This applies only to one-year items and does not include 90-day wear items.

#### **This Warranty Shall Not Apply To:**

- 1 Any product that has been subject to abuse, misuse, neglect or unauthorized alteration (including the use of incompatible or corrosive chemicals or overloading of capacity).
- 2 Products that have experienced shipping or freight damage.
- 3 Repairs necessary to correct any failure due to improper pre-delivery service and inspection by the selling dealer.
- 4 Excessive time for cleaning units in preparation for repair.
- 5 Any repairs resulting from poor initial service work or improper diagnosis.
- 6 Tune-up parts such as plugs, plug wires and condensers.
- 7 Any design alterations performed by an organization not authorized or specified by Windsor.
- 8 Battery and charger warranties are handled directly with the manufacturer (Trojan® batteries and Lester® chargers).
- 9 High-pressure washing
- 10 Electrical components exposed to moisture.

If difficulty develops during the warranty period, contact the authorized Windsor agent from whom the product was purchased. Windsor Industries, Inc. may elect to require the return of components to validate a claim. Any defective part to be returned must be shipped freight prepaid to an authorized Windsor Distributor/Service Center or to the Windsor factory.

#### **Use Of Parts Not Approved By Windsor Industries, Inc. Will Void All Warranties**

This warranty is valid only for all products Shipped/Sold **AFTER** March 31, 2010. A product sold before that date shall be covered by the limited warranty in effect at the date of sale to the original purchaser.

#### ***Windsor Industries reserves the right to change its warranty policy without notice – 86019540 Rev 107***

Windsor - 1351 West Stanford Avenue - Englewood, CO 80110 USA  
Tel 800-444-7654 • Financial Service 800-804-6804 • Fax 866-271-0520 • email: info@windsorind.com • www.windsorind.com

A member of KÄRCHER North America

