

Saber Compact 22

Saber Compact 22 SP

English	3
Français	24
Español	46



IMPORTANT SAFETY INSTRUCTIONS

READ ALL INSTRUCTIONS BEFORE USING.

WARNING

To reduce the risk of fire, electric shock, or injury:

- Do not leave appliance when plugged in. Unplug from outlet when not in use and before servicing.

WARNING

- TO REDUCE THE RISK OF ELECTRIC SHOCK-USE INDOORS ONLY
- Do not allow to be used as a toy. Close attention is necessary when used by or near children.
- Use only as described in this manual. Use only manufacturer's recommended attachments.
- Do not use with damaged cord or plug. If appliance is not working as it should, has been dropped, damaged, left outdoors, or dropped into water, return it to a service center.
- Do not pull or carry by cord, use cord as a handle, close a door on cord, or pull cord around sharp edges or corners. Do not run appliance over cord. Keep cord away from heated surfaces.
- Do not unplug by pulling on cord. To unplug, grasp the plug, not the cord.
- Do not handle plug or appliance with wet hands.
- Do not put any object into openings. Do not use with any opening blocked; keep free of dust, lint, hair, and anything that may reduce air flow.
- Keep hair, loose clothing, fingers, and all parts of body away from openings and moving parts.
- Turn off all controls before unplugging.
- Use extra care when cleaning on stairs.

- Do not use to pick up flammable or combustible liquids, such as gasoline, or use in areas where they may be present.
- Connect to a properly grounded outlet only. See Grounding Instruction.

SAVE THESE INSTRUCTIONS

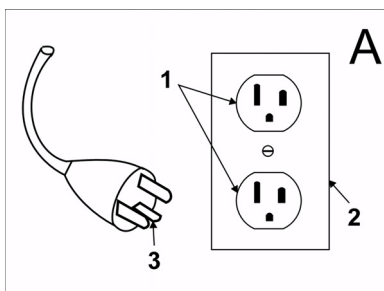
GROUNDING INSTRUCTIONS

This appliance must be grounded. If it should malfunction or breakdown, grounding provides a path of least resistance for electric current to reduce the risk of electric shock. This appliance is equipped with a cord having an equipment-grounding conductor and a grounding plug. The plug must be inserted into an appropriate outlet that is properly installed and grounded in accordance with all local codes and ordinances.

WARNING

Improper connection of the equipment grounding conductor can result in a risk of electric shock. Check with a qualified electrician or service person if you are in doubt as to whether the outlet is properly grounded. Do not modify the plug provided with the appliance-if it will not fit the outlet, have a proper outlet installed by a qualified electrician. This appliance is for use on a nominal 120-volt circuit and has a grounding attachment plug that looks like the plug illustrated in figure A. Make sure that the appliance is connected to an outlet having the same configuration as the plug. No adaptor should be used with this appliance.

CONNECT TO A PROPERLY GROUNDED OUTLET ONLY



- 1 Grounded outlet
- 2 Grounded outlet Box
- 3 Grounded Pin

OPERATING SAFETY RULES AND PRACTICES

Operator Responsibility

Safe operation is in the responsibility of the operator.

The operator shall be familiar with the operation and function of all controls and instruments before undertaking to operate the unit.

Before operating the unit, operators shall have read and be familiar with the operator's manual for the particular unit being operated and they shall also abide by the safety rules and practices in the following paragraphs.

Before operating any unit, the operator shall be familiar with unusual operating conditions which may require additional safety precautions or special operating instructions.

General

Before starting to operate the unit be in operating position.

Do not start or operate the unit, any of its functions or attachments, from any place other than from the designated operators position.

Before leaving the operator's position:

A bring the unit to a complete stop;

B if the unit must be on an incline, block the wheels.

Maintain a safe distance from the edge of ramps, platforms, and other similar working surfaces.

Do not add to, or modify the unit.

Do not block access to fire aisles, stairways or fire equipment.

Traveling

Yield the right of way to pedestrians and emergency vehicles such as ambulances and fire trucks.

Cross railroad tracks at an angle wherever possible. Do not park closer than 6 ft (1800 mm) to the nearest rail of a railroad track.

Keep a clear view of the path of travel and observe for other traffic, personnel, and safe clearances.

Under all travel conditions, operate the unit at a speed that will permit it to be brought to a stop in a safe manner.

Do not indulge in stunt driving or horseplay. Slow down for wet and slippery floors.

Before driving over a dockboard or bridge plate, be sure that it is properly secured.

Drive carefully and slowly across the dockboard or bridge plate, and never exceed its rated capacity.

When negotiating turns, reduce speed to a safe level consistent with the operating environment. Make the turns smoothly.

Operator care of the unit

If the unit is found to be in need of repair or in any way unsafe, or contributes to an unsafe condition, the matter shall be reported immediately to the user's designated authority, and the unit shall not be operated until it has been restored to safe operating condition.

If during operation the unit becomes unsafe in any way, the matter shall be reported immediately to the user's designated authority, and the unit shall not be operated until it has been restored to safe operating condition.

Do not make repairs or adjustments unless specifically authorized to do so.

MAINTENANCE AND REBUILD PRACTICES

Operation of the unit may be hazardous if maintenance is neglected or repairs, rebuilds, or adjustments are not performed in accordance with the manufacturer's design criteria. Therefore, maintenance facilities (on or off premises), trained personnel, and detailed procedures shall be provided. Maintenance and inspection of the unit shall be performed in conformance with the following practices:

- A a schedules planned maintenance, lubrication, and inspection system shall be followed; consult the manufacturer's recommendations.
- B only trained and authorized personnel shall be permitted to maintain, repair, adjust, and inspect the unit, and in accordance with manufacturer's specifications.

Avoid fire hazards and have fire protection equipment present in the work area. Do not use open pans of fuel or flammable cleaning fluids for cleaning parts.

FIRE SAFETY STANDARD

Any unit not in safe operating condition shall be removed from service.

Repairs shall not be made in Class I, Class II, and Class III locations.

Fire Prevention: The unit shall be kept in a clean condition and reasonably free of lint, excess oil, and grease. Noncombustible agents are preferred for cleaning the unit. Flammable liquids [those having flash points at or above 100°F (37,8°C)] are not allowed. Precautions regarding toxicity, ventilation, and fire hazard shall be appropriate for the agent or solvent used.

Nameplate Visibility: The unit type designations as shown on the nameplate and the type markers shall not be covered over with paint so that their identification information is obscured.

The unit shall not be used in classified areas.



Please read and comply with these instructions prior to the initial operation of your appliance. Retain these operating instructions for future reference or for subsequent possessors.

Contents

Safety instructions	5
Function	6
Proper use	6
Environmental protection	6
Operating elements	7
Before Commissioning	8
Start up	11
Operation	11
Maintenance and care	16
Troubleshooting	18
Specifications	21
Spare parts	22

Safety instructions

Safety Devices

Safety devices serve for the protection of the user and must not be put out of operation or bypassed with respect to their function.

Control handle

To stop the brush drive immediately: release the control handle. In case of BR/BD...W... the drive is also switched off.

Emergency-stop button

To deactivate all functions: Press emergency-stop button.

- The auxiliary drive gets switched off when you press the emergency-stop button.
- The emergency-stop has a direct effect on all machine functions.
- The display and battery control display also get switched off.

Caution

If the emergency stop switch is pressed during the cleaning operation, then all the units will be switched off immediately. The ap-

pliance cannot brake immediately. The appliance can still move up to 50 cm (1.6 ft) forward, after the control handle is released or the emergency stop button has been pressed.

Switching on after emergency-stop:

The procedure for startup after the emergency stop button has been pressed has been described in the chapter on startup.

Symbols

The following symbols are used in this operating manual:

Danger

Indicates an immediate threat of danger. Failure to observe the instruction may result in death or serious injuries.

Warning

Indicates a possibly dangerous situation. Failure to observe the instruction may result in light injuries or damage to property.

Note

Indicates useful tips and important information about the product.

Function

The appliance is used for the wet cleaning or polishing of level floors. It can be easily adjusted to the cleaning task by setting a cleaning program and the water quantity.

A working width of 450/550 mm (21.6 in) and a capacity of 40 l (10,5 gal) each of the fresh and dirty water reservoirs enable an effective cleaning.

The appliance is self-moving; the drive motor is fed by two batteries.

The batteries can be charged using a charger connected to a 120 V socket.

Depending on the package type, battery and charger are already integrated.

Note

The appliance can be equipped with various accessories depending on the cleaning task.

Proper use

Only use this appliance as directed in these operating instructions.

- The appliance may only be used for the cleaning of hard surfaces that are not sensitive to moisture and polishing operations.

The application temperature ranges from +5°C to +40°C (41 to 104 °F).

- The appliance is not suitable for cleaning frozen floors (e.g. in cold stores).
- The appliance may only be equipped with genuine accessories and spare parts.
- The appliance has been designed for the cleaning of interior floors or covered surfaces. For other areas of application, the use of alternative brushes must be checked.
- The appliance is not intended for the cleaning of public streets.
- Take the floor surface loading into account.

The appliance is not suitable for use in potentially explosive environments.

Environmental protection

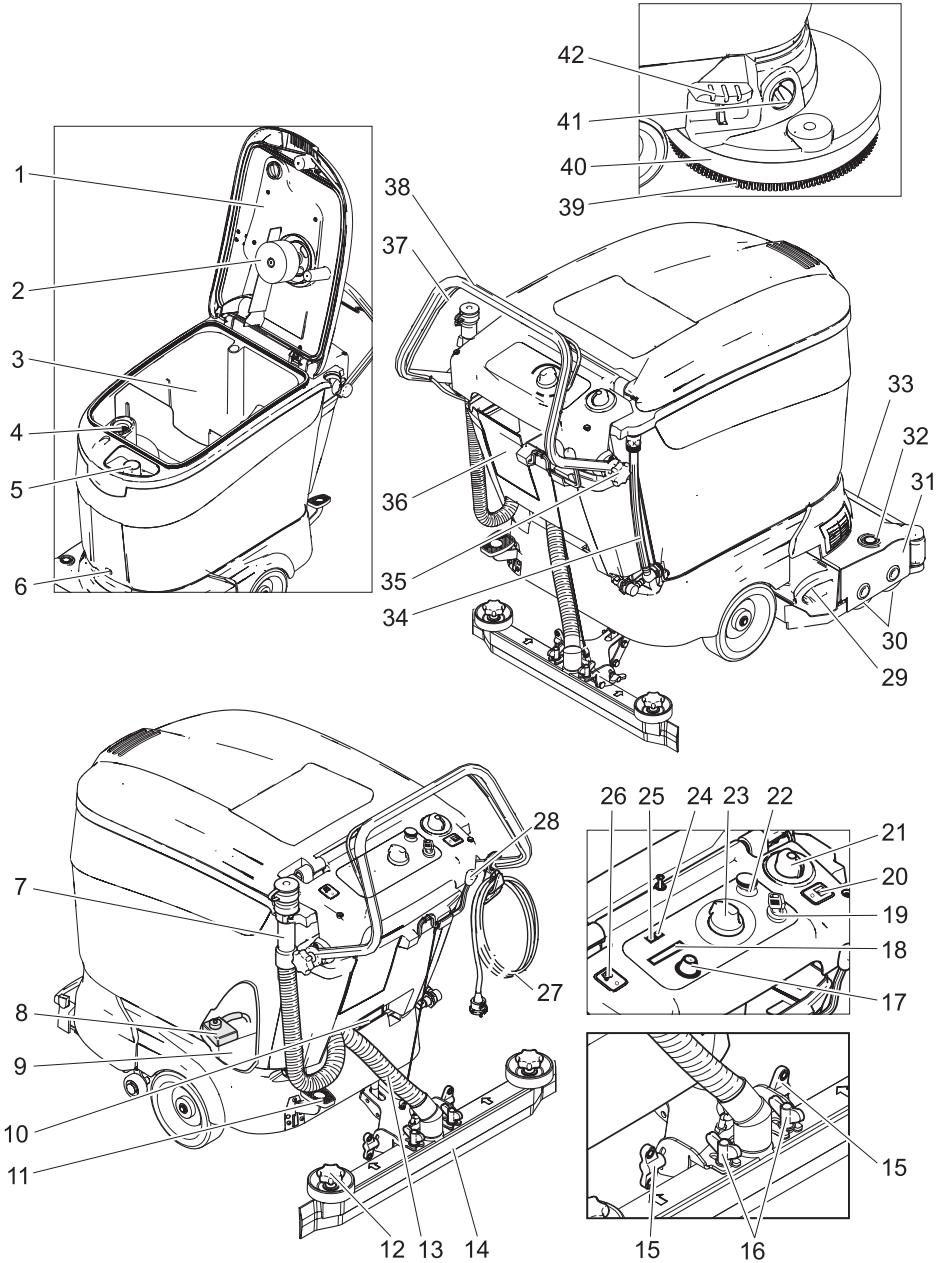


The packaging material can be recycled. Please do not place the packaging into the ordinary refuse for disposal, but arrange for the proper recycling.



Old appliances contain valuable materials that can be recycled. Please arrange for the proper recycling of old appliances. Batteries, oil, and similar substances must not enter the environment. Please dispose of your old appliances using appropriate collection systems.

Operating elements



- 1 Cover dirty water reservoir
- 2 Shut off float
- 3 Dirty water reservoir
- 4 Dust filter (suction)
- 5 Fresh water fill port
- 6 Screw for tank fastening
- 7 Dirty water discharge hose
- 8 Main fuse F1
- 9 Battery *
- 10 Battery socket
- 11 Pedal for driving forward the chassis
- 12 Knobs to exchange the squeegee blades
- 13 Vacuum hose
- 14 Squeegee tool *
- 15 Wing nuts for tilting the squeegee tool
- 16 Wing nuts for fastening the squeegee tool
- 17 Info button
- 18 Display
- 19 Key switch
- 20 Metering switch on/off
- 21 Water quantity regulator
- 22 Emergency-stop button
- 23 Program selection switch
- 24 Overload display brush motor and interruption display
- 25 Battery control display
- 26 Traction switch on/off
- 27 Connection cable for charger
- 28 Squeegee tool lowering lever
- 29 Waste container (Saber Compact 22 SP)
- 30 Brush rollers (Saber Compact 22 SP)
- 31 Cleaning head
- 32 Key for brush rollers (Saber Compact 22 SP)
- 33 Cover for water supply
- 34 Filling level display and fresh water discharge hose
- 35 Star grip pushing handle fastening
- 36 Detergent intake
- 37 Control handle
- 38 Push handle
- 39 Disk brushes (Saber Compact 22)
- 40 Splash guard

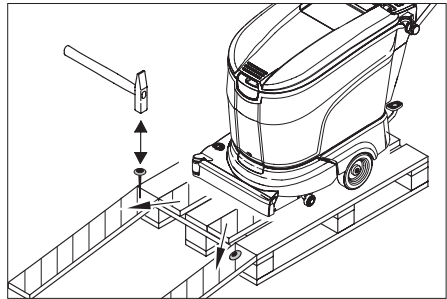
- 41 Button for advance speed
- 42 Pedal for changing brushes (Saber Compact 22)

* not included in the delivery

Before Commissioning

Unloading

- Release the star grips of the pushing handle fastening.
- Turn the pushing handle backwards and tighten the star grips.



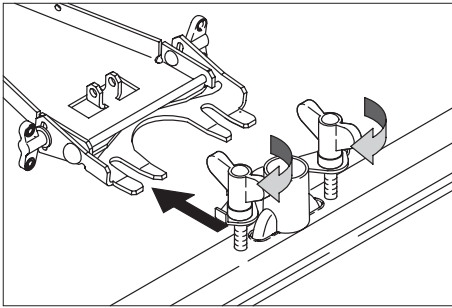
- Place long lateral boards of the packaging as a ramp next to the pallet.
- Fix the ramp on the pallet with nails.
- Place short boards as a support underneath the ramp.
- Remove the wooden bars in front of the wheels.
- Move out the pedal to drive out the running gear towards the right and release it upward.
- Briefly press the handle downward so that the chassis can drive out.
- Push down the machine through the ramp from the pallet.

Installing the Brushes

The brushes must be installed before the initial operation (see "Maintenance works").

Installing the Squeegee

- Insert the squeegee tool into the squeegee suspension in such a manner that the profiled sheet is positioned above the suspension. Tighten the wing nuts.



➔ Insert the vacuum hose.

Batteries

Please observe the following warning notes when handling batteries:

	Observe the directions on the battery, in the instructions for use and in the vehicle operating instructions
	Wear eye protection
	Keep children away from acid and batteries
	Danger of explosion
	Fire, sparks, naked flames and smoking must be strictly avoided
	Danger of chemical burns
	First aid
	Warning note
	Disposal

	Dispose of properly
--	---------------------

⚠ Danger

Danger of explosion. Do not put tools or other objects on the battery, i.e. on the terminal poles and cell connectors.

Risk of injury. Ensure that wounds never come into contact with lead. Always clean your hands after having worked with batteries.

Insert batteries and connect

➔ Turn the program switch to "OFF"; Turn the key switch to "0".

➔ Loosen the tank fastening screw and tilt the tank upward.

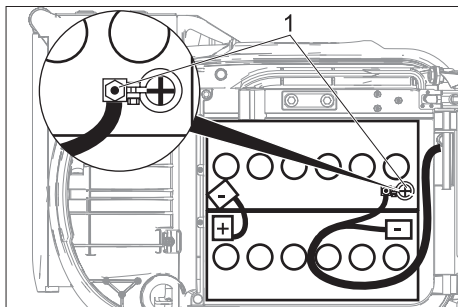
⚠ Warning

Risk of damage to batteries and tank. Please install the batteries in the arrangement shown below. Connect the joining cable and connection cable to the batteries in the way shown. Take care to connect the correct poles. Tightly clamp the battery pole fuse in the arrangement shown below. Route the cables in the displayed pattern.

➔ Place the batteries pointing towards the cleaning head close to each other in the intake and tighten the screws of the fastening bracket behind the batteries. Ensure that no hoses or cables are jammed.

➔ Lubricate the battery pole with pole grease.

➔ Connect pole using the enclosed connecting cable.



1 Battery pole fuse

- ➔ Connect the connection cable to the free battery poles (+) and (-).
- ➔ Tilt the water tank towards the front.
- ➔ Insert the screw for fastening the tank and tighten it.

⚠ Warning

Charge the battery before operating the machine.

Charging battery

⚠ Danger

Danger of explosion. Wet batteries can only be charged with opened hood.

Note

The device is equipped with a safety mechanism to prevent total discharge, i.e. when the permissible minimum capacity is reached, then the brush motors and the turbine are switched off. In such a case, the battery level indicator on the control console glows red. The traction is still active:

- ➔ Drive the machine directly to the charging station; avoid any steep gradients in the process.

Note

If the safety mechanism to prevent total discharge has been activated, then the battery must first be charged fully (until the battery level indicator glows green). Only then will the electronic system unlock the functions.

⚠ Danger

Risk of electric shock. Observe supply network and fuse protection - see "Charger". Only use the charger in dry rooms with sufficient ventilation!

Note

Average charging time is approx. 10 -15 hours.

The recommended chargers (matching the batteries used) are regulated electronically and will automatically switch off the charging process.

All functions of the machine are automatically interrupted during the charging process.

Charging process

- ➔ Insert the plug of the charger into the socket.

Note

The charger has electronic controls and automatically switches off the charging process. All functions of the machine are automatically shut down during the charging process.

The battery control display shows the progress of the charging process when the plug is inserted:

Refresh and main charging	quickly blinks yellow
Retention charging (battery is full)	glows green

Note

If the interruption indicator glows during the charging process, then see details in the chapter on trouble-shooting.

Emergency-stop switch during charging process

Press emergency-stop button:

- the charging process is cancelled
- the display shows the "Notaus-Schalter" oder „Emergency button“
- the interruption display flashes

Emergency stop button is unlocked (when the main cable is inserted):

- the charging process is started
- the battery indicator lamp is yellow and flashing

Maintenance-free batteries (wet batteries)

- ➔ Add distilled water one hour before the end of the charging process; follow the correct acid level. There are corresponding indicators on the battery.

⚠ Danger

Danger of caustic material!

- Adding water to the battery in its discharged state can cause the acid to leak.
- Use safety glasses while handling battery acid and follow the safety instructions to avoid personal injury or damage to clothes.
- Should the acid spray on to the skin or clothes, rinse immediately with lots of water.

⚠ Warning

Risk of damage!

- Use only distilled or desalinated water (VDE 0510) for filling the battery.
- Do not add any substances (so-called performance improving agents), this will void the warranty.

⚠ Warning

Only use maintenance-free batteries while replacing batteries in package appliances.

Recommended batteries

Order No.	Description
6.654-093.0	75 Ah, maintenance-free, 2 pieces required
6.654-097.0	80 Ah, maintenance-free, 2 pieces required

Start up

- ➔ If the emergency stop button is pressed, turn the key switch to position 0 and release the emergency stop button by turning.
- ➔ Turn the main switch to "1".

Operation

⚠ Warning!

Risk of damage. Raise the squeegee tool before reversing.

Note

To put the brush drive out of operation immediately release the control handle.

Chemical filling

⚠ Warning

Risk of damage. Only use the recommended detergents. With respect to different detergents the operator bears the increased risk regarding the operational safety and danger of accident. Only use detergents that are free from solvents, hydrochloric acid and hydrofluoric acid.

Note

Do not use highly foaming detergents. Observe the meter mixing notes.

Detergent is added to the fresh water on the way to the cleaning head with the help of a dosaging device.

Note

1% detergent gets added via the metering equipment. The metering can be set between 0 and 3%. For higher metering, you can add the entire quantity of detergent to the fresh water tank. The metering equipment has been designed for 2.5 litre (0.66 gal) detergent bottles.

⚠ Warning

Risk of blocking on account of drying detergent. The flow meter of the metering equipment can stick on account of drying detergent and hamper the functioning of the

metering equipment. Always rinse at the end the fresh water tank and the appliance with clear water. To rinse, open the regulating knob fully and set the cleaning program with water at the program selection switch.

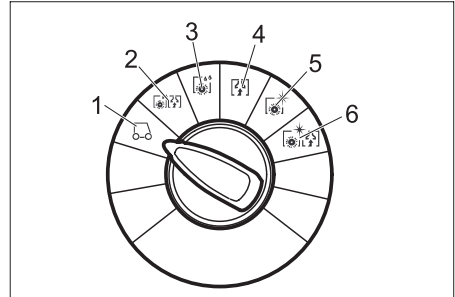
- ➔ Open the cover of the fresh water reservoir.
- ➔ Fill in the water up to the MAX marking of the filling level display. Maximum temperature of the liquid 60°C (140 °F).
- ➔ Close the cover of the dirty water reservoir.
- ➔ Close the lid of the detergent bottle.
- ➔ Screw the lid provided with the metering equipment on to the detergent bottle.
- ➔ Tilt out the detergent intake.
- ➔ Insert the detergent bottle in the detergent intake with the lid pointing downwards and push it in.
- ➔ Tilt back the detergent intake.

Driving to the Place of Use

When the running gear is driven out the appliance can be pushed to the place of use without any contact of the brushes with the floor.

- ➔ Raise the squeegee tool.
- ➔ Move out the pedal to drive out the running gear towards the right and release it upward.
- ➔ Briefly press the handle downward so that the chassis can drive out.
- ➔ Use the pushing handle to push the appliance to the place of use.

Cleaning Programs



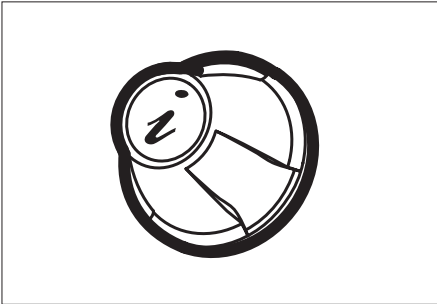
- 1 Driving to place of use.
- 2 Scrub cleaning Wet cleaning the floor and vacuum up dirty water.
- 3 Wet scrubbing Wet cleaning the floor and allow the detergent to react.
- 4 Vacuuming up the detergent solution.
- 5 Polishing the floor without the application of liquid.
- 6 Scrubbing and suction without adding water (polish suction) Polish floors without applying water and suck in the polishing dust (accessory)

Battery control display

The battery control display shows the charging status of the batteries when the charger has been connected:

40-100%	glows green
20-40%	glows yellow
0-20%	slowly blinks red
empty	glows red

Info button



Use the Info button to select the menu items and do the settings.

- Turning the button to the right/left scrolls through the menus forward/ backward.
- The selected setting gets accepted by pressing the button.

Settings

You can make the settings for the different cleaning programs in the operator menu. Different parameters can be set based on the cleaning program. The settings are done using the Info button.

Operator menu

- ➔ Release emergency-stop button by turning.
- ➔ Set main switch to "1".
- ➔ Set the traction switch to "1" or program selection switch to the desired cleaning program (1...6).
The display shows the battery charging status.
- ➔ Select the desired parameter by turning the Info button. The currently set value is displayed.
- ➔ Press Info button, the value/ bar flashes.
- ➔ Reset the parameter by turning the Info button between "min" and "max".
- ➔ Confirm the changed setting by pressing the Info button or wait till the set value is automatically accepted after 10 seconds.

Note

If the selected parameter does not change within 10 seconds, then the display goes back to displaying the battery charging status.

The cleaning parameters can be set and are applicable to all programs.

All settings are saved even in the powerless state of the machine.

Reset parameters

- ➔ Set cleaning program wet scrubbing, suction, polishing, scrubbing or polish suction using the program selection switch.
- ➔ Select the menu item "Factory setting" in the operator menu by turning the Info button
- ➔ Press Info button. The factory settings of all parameters are restored for each cleaning program.

Adjustable parameters	min:step:max	Remark
Detergent metering (DOSE)	0,5% : 0,5% : 3%	Ideal detergent concentration
Only Saber Compact 22 SP: FACT*) (brush speed)	–	Power Clean, Whisper Clean, Fine Clean
Cleanspeed	0 : 1 : 5	Driving speed

*) The cleaning performance can be set in 3 stages:

- Fine Clean: Lower brush speed for removing the gray film on fine stone floors.
- Whisper Clean: Medium brush speed for regular cleaning with reduced noise level.
- Power Clean: High brush speed for polishing, crystallising and sweeping.

Factory setting

The table given below gives details of the factory settings of the parameters for the cleaning programs. If no values are entered, then the respective parameter cannot be set in the given cleaning program.

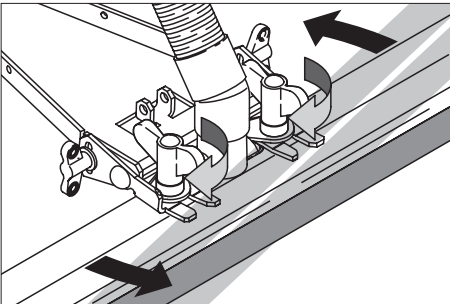
	Detergent metering	Cleanspeed	FACT (brush speed)
min ■■■■□□max			
Scrubbing suction	1	3	P
Wet scrubbing			
Dry vacuum cleaning	—		—
Polishing			P
Polish suction			
Driving		—	—
*) Only Saber Compact 22 SP: P=Power Clean			

Setting the Squeegee Tool

Oblique position

To improve the vacuuming result on tiled floors the squeegee tool can be turned to an oblique position of up to 5°.

- Release the wing nuts.
- Turn the squeegee tool.

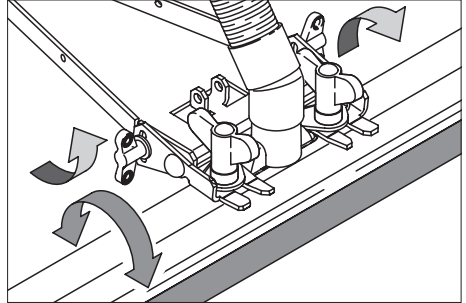


- Tighten the wing nuts.

Inclination

If the results are unsatisfactory the inclination of the straight squeegee tool can be modified.

- Release the wing nuts.
- Tilt the squeegee tool.



- Tighten the wing nuts.

Traction drive

The appliance is equipped with an auxiliary traction drive with free wheel. The appliance can also be moved by hand on account of the free wheel.

Program selection switch in "Driving" position:

- Release emergency-stop button by turning.
- Turn the main switch from position 0 to 1.
- Switch on "traction" button.

Display and battery indicator display are activated.

- Press control switch.

The appliance accelerates and then drives at the transport speed (4 km/h / 2.5 mph)

- Release the control handle.

The appliance brakes.

Program selection switch to cleaning program (position 2...6)

- Release emergency-stop button by turning.
- Turn the main switch from position 0 to 1. Display and battery indicator display are activated.

The suction turbine gets started for programs with suction.

→ Press control switch.

The cleaning head gets switched on in programs with brushing function.

→ Switch on the auxiliary drive using the traction switch.

The appliance accelerates and then drives at the cleaning speed set in the Operations menu (clean speed 0.8...4km/h / 0.5...2.5 mph)

→ Release the control handle and switch off the traction switch.

The appliance brakes.

Cleaning

→ Drive in the running gear. Press the pedal downward and lock it towards the left.

→ Turn the program selection switch to the desired cleaning program.

→ Set the water quantity at the regulation knob according to the dirt level and the type of flooring.

→ Set metering switch on/off to "CHEM".

→ Lower the squeegee tool.

→ Turn on the brushes by pulling the control handle.

→ Set traction 0/1 to On. When you pull the switching handle, the driving motor and the brushes are switched on. The appliance then drives at the speed that has been set in the Operator menu under "Cleanspeed".

⚠ Warning!

Risk of damage to the floor covering. Do not operate the appliance on the spot.

Shutting Down the Appliance

→ Close the water quantity regulator.

→ Drive the appliance forward for another 1-2 m (3-6 ft) to draw off residual water.

→ Turn the program selection switch to "OFF" or "Drive". Turn the key switch to "0".

Note

If the key switch is switched off without turning the program selection switch to "OFF", then you can see the display "suction trail" or "Vacuum time lag!" for programs with suction (2, 4, 6). The suction turbine switches off with a delay of 10 seconds to allow the suction hose to be emptied.

→ Raise the squeegee tool.

→ Move out the pedal to drive out the running gear towards the right and release it upward.

→ Briefly press the handle downward so that the chassis can drive out.

→ Disconnect the mains plug.

⚠ Warning!

Danger of deformation of the brush(es). When shutting down the appliance relieve the brush(es) by lowering the running gear.

Draining the Dirty Water Reservoir

Note

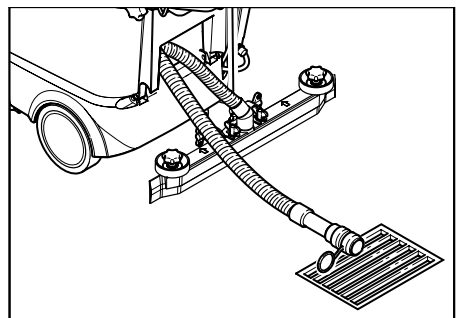
If the dirty water reservoir is full the float closes the suction channel; the suction turbine continues to run. The suction operation is interrupted. Empty the dirty water reservoir.

⚠ Warning

Please observe the local provisions regarding the wastewater treatment.

→ Turn the program selection switch to "OFF" or "Driving" and wait until the appliance has switched off.

→ Take the dirty water discharge hose from the support and lower above a suited collection device.



- Let off water by opening the dosage device at the discharge hose.
- Rinse the dirty water reservoir with clear water.

Emptying the fresh water tank

- Release the coupling at the upper end of the fill level display.
- Lower the hose for the fill level display into a suitable collector and drain off liquid.
- Engage the coupling on the appliance again.

Transport

- If you want to transport the appliance on a vehicle secure it from slipping.

To reduce the required space the push handle can be turned to the front:

- Release the star grips of the push handle fastening.
- Turn the push handle to the front.

Maintenance and care

⚠ Danger

Risk of injury. Turn the program selection switch to "OFF" and disconnect the plug before performing any works on the appliance. For BR...W Bp also turn the key switch to "0" and press the emergency stop switch.

⚠ Warning

Risk of damage to the appliance on account of water leakage. Drain out dirty water and the remaining free water before working at the machine.

Maintenance schedule

After the work

⚠ Warning

Risk of damage. Do not wash down the appliance with water and do not use aggressive detergents.

- Drain off dirty water.
- Check the lint filter, clean if required

- Clean the outside of the appliance with a damp cloth which has been soaked in mild detergent.
- Clean the squeegee blades and the wiping lips, check for wear and replace if required.
- Check the brushes for wear, replace if required.
- Charge battery if required.

Monthly

- During long operating pauses: Carry out refill charging for the battery.
- Check battery pole for oxidation; brush it if required and lubricate it using pole grease. Ensure that the connection cable sits firmly.
- Check the acid density of the cells if the batteries are not maintenance-free batteries.
- Check the condition of the seals between dirty water reservoir and cover, replace if required.
- Clean the brush tunnel (only Saber Compact 22 SP).
- Remove the cover for water supply at the cleaning head and clean the canal. (only Saber Compact 22 SP)
- Clean the connection to the detergent bottle with a wet piece of cloth.

After 400 operating hours or once a year

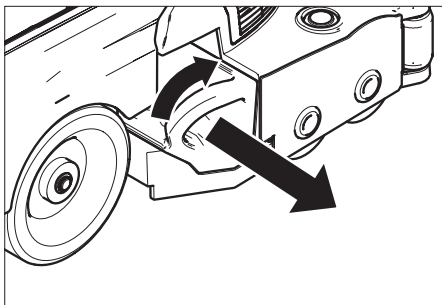
- Replace pump hose of the metering pump.

Yearly

- Have the prescribed inspection carried out by the customer service.

Maintenance Works

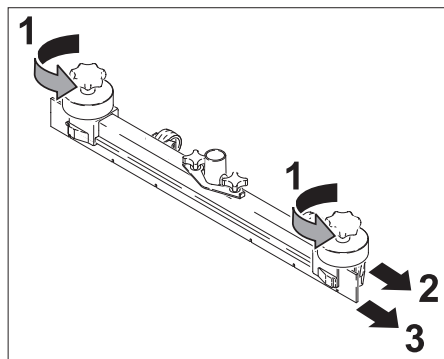
Empty the waste container



- Turn the waste container slightly in the clock-wise direction and pull it out simultaneously.
- Empty waste container.
- Replace the waste container.

Turn or replace squeegee blades

- Remove the squeegee tool.
- Unscrew the star grips.

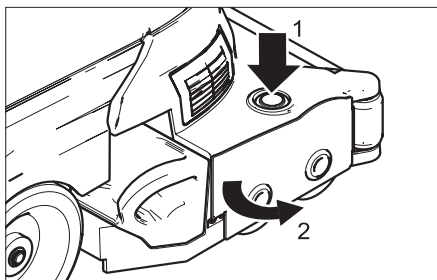


- Remove the plastic parts.
- Remove the squeegee blades.
- Turn the squeegee blades or insert new ones.
- Insert the plastic parts.
- Screw in and tighten the star grips.

Replacing the brush rollers

- Empty the dirty water reservoir.

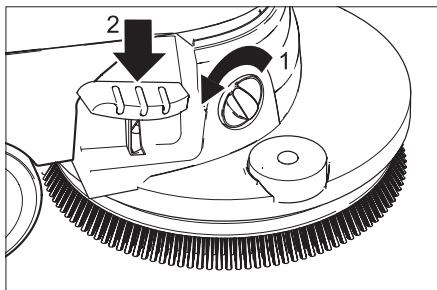
- Move out the pedal to drive out the running gear towards the right and release it upward.
- Briefly press the handle downward so that the chassis can drive out.



- Press the brush change key and tilt the cover on the brush head towards the side.
- Pull out the brush rollers.
- Insert and lock into place the new brush rollers.
- Close the cover, align the brushes and lock in the cover.
- Drive in the running gear. Press the pedal downward and lock it towards the left.

Replacing the disk brushes

- Empty the dirty water reservoir.
- Move out the pedal to drive out the running gear towards the right and release it upward.
- Briefly press the handle downward so that the chassis can drive out.



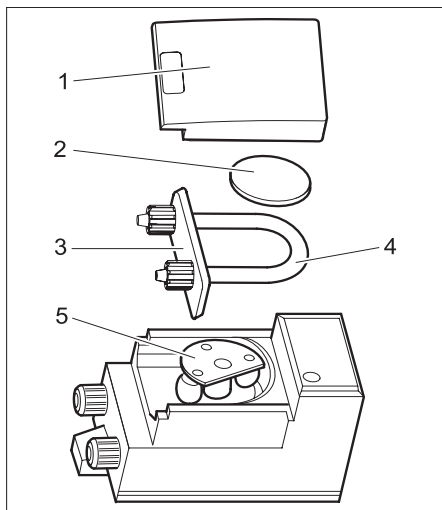
- Turn the button for the setting of the advance speed in "–" direction.

- Press the pedal for changing the brushes downward beyond its resistance.
- Drive the appliance in reverse till the disk brush is free.
- Remove the disk brush and place the new disk brush in front of the appliance.
- Drive the appliance forward over the disk brush.
- Press the pedal for driving out the running gear and lock it to the left. The brush will lock into the brush drive.
- Set the advance speed.

Replace pump hose

- Empty the dirty and fresh water tank.
- Remove the detergent bottle from the detergent holder.
- Loosen the tank fastening screw and tilt the tank upward.

The metering pump is located behind the batteries.



- 1 Covering lid
- 2 Cover
- 3 Hose switch
- 4 Pump hose
- 5 Rotor

- Remove covering lid.
- Remove cover.

- Remove the hose holder with the pump hose (turn manually to remove the rotor manually).
- Replace pump hose.
- Metering pump and appliance are brought into operational state by performing the same steps in the reverse direction.

Maintenance contract

To ensure a reliable operation of the appliance maintenance contracts can be concluded with the competent Windsor sales office.

Frost protection

In case of danger of frost:

- Empty the fresh and dirty water reservoirs.
- Store the appliance in a frost-protected room.

Troubleshooting

⚠ Danger

Risk of injury. Turn the program selection switch to "OFF" and disconnect the mains plug before performing any works on the appliance. Also turn the key switch to "0" and press the emergency stop switch.


- Drain and dispose of the dirty water and the residual fresh water.

In case of faults that cannot be remedied using the table below please contact the customer service.

Note

If the display shows interruptions, first set the program selection switch to OFF or driving and switch off the key switch (if available). Wait for 15 seconds. Turn on the appliance again. If the display still shows a fault, then rectify the fault according to the following table or call Customer Service.

Errors with display

Overload display 	Display	Error	Remedy
Permanent light	Pcb. Störung=4 Pcb. fault=4	Defective electronics	Call customer service.
blinks once	Bürstm.Störung=1 Brushmot.fault=1	Short circuit in the brush motor	Call customer service.
	Saugtb.Störung=1 Vac.mot. fault=1	Short circuit in vacuum motor	
	Ventil.Störung=1 Valve fault=1	Short circuit in solenoid valve	
	Fahrmt.Störung=1 Drivemot.fault=1	Short circuit in drive motor	
blinks twice	Bürstm.Störung=2 Brushmot.fault=2	Cable rupture in the brush motor	Call customer service.
	Saugtb.Störung=2 Vac.mot. fault=2	Cable rupture in vacuum motor	
	Ventli.Störung=2 Valve fault=2	Cable rupture in solenoid valve	
	Fahrmt.Störung=2 Drivemot.fault=2	Cable rupture in drive motor	
blinks thrice	Heiss, abkühlen! Hot, let cool!	Temperature in the electronics system is high.	Let the electronics system cool down for at least 15 minutes.
	Saugtb.Störung=3 Vac.mot. fault=3	Overload vacuum motor	Turn the program selection switch to OFF or Drive. Then select again the cleaning program. If the fault recurs, call customer service.
	Bürstenüberlast! Brush Overload!	Overload on brush motor	
	Fahrmt.Störung=3 Drivemot.fault=3	Overload drive motor	
blinks four times	Prüfe Battspanng Check Battery!	Battery voltage is not between 17 and 33 V	Call customer service.
		Battery voltage is too high while charging	Stop charging. You can still use the machine; however, call Customer Service
	Batteriefehler! Battery fault!	Battery fault	
	Notaus-Schalter! Emergency button	Emergency-stop button has been pressed while charging the battery.	Release emergency-stop button. .

Faults

Error	Remedy
Appliance cannot be started	Check batteries, charge if required. Fully charge battery if it has got discharges so that the electronics system can release the function lock.
	Check battery pole fuse at the positive pole of the battery (100 A); inform customer service if the fuse is defective.
Insufficient water quantity	Check fresh water level, refill tank if necessary.
	Check hoses for blockages; clean if required.
	Saber Compact 22 SP: Remove the cover of the water supply at the suction head and clean the water canal.
Insufficient vacuum performance	Clean the seals between dirty water reservoir and cover and check for tightness, replace if required.
	Clean the lint filter.
	Clean the squeegee blades on the squeegee tool, turn or replace if required
	Check if the vacuum hose and squeegee tool are choked, clean if required
	Check the vacuum hose for tightness; replace if required.
	Check if the cover on the dirty water discharge hose is closed
	Check the setting of the squeegee tool.
Check whether the turbine is running and is creating under-pressure; call Customer Service, if required.	
Insufficient cleaning result	Drive in the running gear.
	Check the brushes for wear, replace if required.
	Check detergent metering (optional).
Detergent dose gets reduced	Replace pump hose of the metering pump.
The detergent bottle gets deformed when detergent is sucked out of it. There is no air coming in to equalise the pressure.	Tilt out the detergent intake and take out the detergent bottle. Close the lid of the detergent bottle. Pull out the valve (rubber cap) and clean it in warm water. Replace the valve.
Brushes do not turn	Check if foreign matters block the brushes; remove foreign matter if required.
Drain hose for dirty water is blocked	Open metering equipment at the drain hose. Pull out the vacuum hose from suction beam and close it by hand. Set the program selection switch to suction or vacuuming. The blockage will be sucked out from the drain hose into the dirty water tank.

Specifications

		Saber Compact 22 SP	Saber Compact 22
Power			
Nominal voltage	V	24	
Average power consumption	W	750	
Suction engine output	W	600	
Brush engine output	W	600	
Drive motor output	W	130	
Vacuuming			
Vacuum, air quantity	l/s (gpm)	18 (285)	
Vacuum, negative pressure	kPa (psi)	105 (15.2)	
Cleaning brushes			
Working width	mm (in)	550 (21.6)	
Brush diameter	mm (in)	96 (3.8)	550 (21.6)
Brush speed (Power Clean)	1/min	1400	160
Dimensions and weights			
Appropriate surface cleaning performance	m ² /h (ft ² /h)	2200 (23680)	
Fresh/dirty water reservoir volume	l (gal)	40 (10.5)	
Volume of container for sweep-waste (only BR)	l (gal)	approx. 2 (0.5)	–
Length (without pushing handle)	mm (in)	1100 (43.3)	
Width (without squeegee tool)	mm (in)	650 (25.6)	
Height (without pushing handle)	mm (in)	900 (35.4)	
Weight (with/ without battery, without tank contents)	kg (lbs)	170/90 (375/198)	
Noise emission			
Sound pressure level (EN 60704-1)	dB(A)	70	67
Machine vibrations			
Vibration total value (ISO 5349)	m/s ²	1,0	

Spare parts

- Only use accessories and spare parts which have been approved by the manufacturer. The exclusive use of original accessories and original spare parts ensures that the appliance can be operated safely and troublefree.
- At the end of the operating instructions you will find a selected list of spare parts that are often required.

Only for authorised technicians!

Maintenance Works

Every 200 operating hours

- 1 Check battery poles for oxidation.
- 2 Check fastening of the battery poles.
- 3 Check the acid level in the batteries (only for maintenance-free batteries).
- 4 Check current-carrying lines and contacts for damages and oxidation
- 5 Check control handle to see that it is accessible and is functioning correctly.
- 6 Check voltage of battery cells when the vacuum turbine is running (DU £ 0.15 Volt).
- 7 Check brushes for proper rotating direction, setting and wear and tear (brush level).
- 8 Check drive belts of the brushes for tension and wear and tear.
- 9 Clean air let grid in the cleaning head.
- 10 Check water metering valve, solenoid valve and water distribution.
- 11 Check to see that the water system is leak-proof - especially the screw joints of the fresh water tank/ dirty water tank.
- 12 Check vacuum motor/ squeegee tool for proper functioning.
- 13 Check squeegee blades for setting and wear and tear.
- 14 Check the float in the dirty water tank and its functioning.
- 15 Check vacuum hose to see it is leak-proof.
- 16 Check dirty water drain hose to see it is leak-proof.
- 17 Check fill level/ draning hose for fresh water with angular tap at the lower end to see it is leak-proof.
- 18 Clean the water distribution strip (only Saber Compact 22 SP).
- 19 Clean and check the sweeper container (only Saber Compact 22 SP).
- 20 Check washers of the tank lid.

- 21 Clean the lint filter.
- 22 Check wheels for wear and tear.
- 23 Check the mechanics for raising and lowering the chassis for proper functioning.
- 24 Check all functions during a test run.

Every 400 operating hours

- 1 Check carbon brushes in brush drive and suction turbine (and also in the drive motor) for wear and tear; replace carbon brushes, if required.
- 2 Replace pump hose of the metering pump .

Every 800 operating hours

- 1 Replace geared belt in the brush head.

INSTRUCTIONS IMPORTANTES EN MATIÈRE DE SÉCURITÉ

LIRE TOUTES LES INSTRUCTIONS AVANT DE FAIRE FONCTIONNER

Attention

Pour réduire les risques d'incendie, de choc électrique ou de blessure:

- Ne pas laisser l'appareil sans surveillance lorsqu'il est branché. Débrancher lorsque l'appareil n'est pas utilisé et avant l'entretien.

Attention

- Pour réduire les risques de choc électrique, utiliser à l'intérieur seulement.
- Ne pas permettre aux enfants de jouer avec l'appareil. Une attention particulière est nécessaire lorsque l'appareil est utilisé par des enfants ou à proximité de ces derniers.
- N'utiliser que conformément à cette notice avec les accessoires recommandés par le fabricant.
- Ne pas utiliser si le cordon ou la fiche est endommagé. Retourner l'appareil à un atelier de réparation s'il ne fonctionne pas bien, s'il est tombé ou s'il a été endommagé, oublié à l'extérieur ou immergé.
- Ne pas tirer ou soulever ni traîner l'appareil par le cordon. Ne pas utiliser le cordon comme une poignée, le coincer dans l'embrasure d'une porte ou l'appuyer contre des arêtes vives ou des coins. Ne pas faire rouler l'appareil sur le cordon. Garder le cordon à l'écart des surfaces chaudes.
- Ne pas débrancher en tirant sur le cordon. Tirer plutôt la fiche.

- Ne pas toucher la fiche ni l'appareil lorsque vos mains sont humides.
- N'insérer aucun objet dans les ouvertures. Ne pas utiliser l'appareil lorsqu'une ouverture est bloquée. S'assurer que de la poussière, de la peluche, des cheveux ou d'autres matières ne réduisent pas le débit d'air.
- Maintenir les cheveux, les vêtements amples, les doigts et toutes les parties du corps à l'écart des ouvertures et des pièces mobiles.
- Mettre toutes les commandes à la position ARRÊT avant de débrancher l'appareil.
- User de prudence lors du nettoyage des escaliers.
- Ne pas aspirer des liquides inflammables ou combustibles, comme de l'essence, et ne pas faire fonctionner dans des endroits où peuvent se trouver de tels liquides.
- Ne brancher qu'à une prise de courant avec mise à la terre. Voir les instructions la mise à la terre.

CONSERVER CES INSTRUCTIONS

INSTRUCTIONS VISANT LA MISE À LA TERRE

Cet appareil doit être mis à la terre. En cas de défaillance ou de panne, la mise à la terre fournit au courant un chemin de moindre résistance qui réduit le risque de choc électrique. Cet appareil est pourvu d'un cordon muni d'un conducteur de terre et d'une fiche avec broche de terre. La fiche doit être branchée dans une prise appropriée correctement installée et mise à la terre conformément aux règlements et ordonnances municipaux.

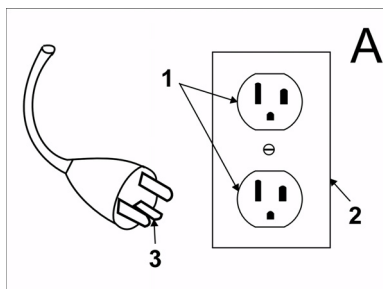
Attention

Un conducteur de terre mal raccordé peut entraîner un risque de choc électrique. Consulter un électricien ou un technicien d'entre-

tien qualifié si vous n'êtes pas certain que la prise est correctement mise à la terre. Ne pas modifier la fiche fournie avec l'appareil - si elle ne peut être insérée dans la prise, faire installer une prise adéquate par un électricien qualifié.

Cet appareil est destiné à un circuit de 120 V et est muni d'une fiche de mise à la terre semblable à celle illustrée par le croquis A. S'assurer que l'appareil est branché à une prise de courant ayant la même configuration que la fiche. Aucun adaptateur ne devrait être utilisé avec cet appareil.

NE BRANCHER QU'À UNE PRISE DE COURANT AVEC MISE À LA TERRE



- 1 Sortie avec mise à la terre
- 2 Boîte avec mise à la terre
- 3 Fiche avec mise à la terre

REGLES ET PRATIQUES DE SECURITE DE FONCTIONNEMENT

Responsabilité de l'opérateur

Un fonctionnement sûr est la responsabilité de l'opérateur.

L'opérateur doit être au courant du fonctionnement et des fonctions de toutes les commandes et de tous les instruments avant d'entreprendre de faire fonctionner l'unité.

Avant de faire fonctionner l'unité, les opérateurs doivent avoir lu et bien connaître le manuel d'utilisation pour l'unité particulière en fonctionnement et ils doivent également

obéir aux règles et pratiques de sécurité énoncées dans les paragraphes suivants. Avant de faire fonctionner l'unité, l'opérateur doit bien connaître les conditions de fonctionnement inhabituelles qui peuvent nécessiter des précautions de sécurité supplémentaires ou des instructions de fonctionnement spéciales.

Généralités

Avant de commencer à faire fonctionner l'unité, soyez dans une position d'opération. Ne démarrez pas ou n'opérez pas l'unité, l'une quelconque de ses fonctions ou accessoires, depuis tout endroit autre que la position désignée pour les opérateurs.

Avant de quitter la position de l'opérateur :

- A arrêtez complètement l'unité ;
- B si l'unité doit se trouver sur un plan incliné, bloquez les roues.

Conservez une distance de sécurité depuis le bord des rampes, plate-formes et autres surfaces de travail similaires.

N'effectuez aucun ajout ou aucune modification à l'unité.

Ne bloquez pas l'accès aux couloirs à incendie, escaliers ou équipement de lutte contre les incendies.

Déplacements

Donnez la priorité aux piétons et véhicules d'urgence tels que les ambulances et les camions de pompiers.

Traversez les voies ferrées de manière angulaire si possible. Ne vous gardez pas à moins de 1800 mm du rail le plus proche d'une voie ferrée.

Conservez une vision claire du chemin de déplacement et prenez garde au reste de la circulation, au personnel et aux dégagements sûrs.

Opérez l'unité à une vitesse qui lui permettra d'être arrêtée de manière sûre dans toutes les conditions de déplacement.

Ne vous adonnez pas aux cascades ou à la brutalité.

Ralentissez en cas de sols mouillés et glissants.

Avant de passer sur un bord de quai ou sur la chaussée d'un pont, assurez-vous qu'il/elle est correctement fixé(e). Conduisez prudemment et lentement sur le bord de quai ou la chaussée d'un pont et ne dépassez jamais sa capacité nominale.

Lors de la prise de virages, ralentissez à une vitesse sûre en correspondance avec l'environnement de fonctionnement. Prenez les virages en douceur.

Entretien de l'unité par l'opérateur

Si l'unité s'avère nécessiter des réparations ou être dangereuse d'une manière quelconque ou contribue à une condition dangereuse, le problème doit être rapporté immédiatement au supérieur désigné de l'utilisateur et l'unité ne doit pas être opérée jusqu'à ce qu'elle ait été remise en une condition de fonctionnement sûre.

Si l'unité devient dangereuse d'une manière quelconque au cours du fonctionnement, le problème doit être rapporté immédiatement au supérieur désigné de l'utilisateur et l'unité ne doit pas être opérée jusqu'à ce qu'elle ait été remise en une condition de fonctionnement sûre. N'effectuez pas de réparations ou de réglages à moins d'y être autorisé spécifiquement.

PRATIQUES D'ENTRETIEN ET DE RECONSTRUCTION

Le fonctionnement de l'unité peut être dangereux si l'entretien est négligé ou si des réparations, reconstructions ou réglages ne sont pas effectués conformément aux critères de conception du constructeur. Par conséquent, des installations d'entretien (sur site ou au dehors), du personnel qualifié et des procédures détaillées doivent être fournis.

L'entretien et l'inspection de l'unité doivent être réalisés conformément aux pratiques suivantes :

- A un système d'entretien, de lubrification et d'inspection planifié doit être suivi ; consultez les recommandations du constructeur.
- B seul du personnel qualifié et autorisé doit être autorisé à effectuer l'entretien, répa-

rer, régler et inspecter l'unité et ce conformément aux spécifications du constructeur.

Évitez les risques d'incendie et disposez d'un équipement de protection contre les incendies dans la zone de travail. N'utilisez pas de récipients ouverts d'essence ou de fluides de nettoyage inflammables pour le nettoyage des pièces.

NORME DE SECURITE INCENDIE

Toute unité ne se trouvant pas dans une condition de fonctionnement sûre doit être mise hors service.

Prévention incendie : L'unité doit être conservée dans une condition propre et raisonnablement exempte de peluche, d'huile en excès et de graisse. Des agents non combustibles sont préférés pour le nettoyage de l'unité. Les liquides inflammables [ceux possédant des points d'inflammation à ou supérieurs à 100°F (37,8°C)] ne sont pas permis. Les précautions concernant la toxicité, la ventilation et les risques d'incendie doivent être appropriées à l'agent ou au solvant utilisé.

Visibilité de la plaque signalétique : Les désignations du type d'unité telles qu'illustrées sur la plaque signalétique et les marqueurs de type ne doivent pas être recouverts par de la peinture de sorte que les informations concernant leur identification sont obscurcies.



Lisez attentivement ce mode d'emploi avant la première utilisation de l'appareil et respectez les conseils y figurant. Conservez ce mode d'emploi pour une utilisation ultérieure ou un éventuel reprenneur de votre matériel.

Table des matières

Consignes de sécurité	27
Fonction	28
Utilisation conforme	28
Protection de l'environnement	28
Éléments de commande	29
Avant la mise en service	30
Mise en service	33
Fonctionnement	33
Entretien et maintenance	38
Pannes	41
Données techniques	44
Pièces de rechange	44

Consignes de sécurité

Dispositifs de sécurité

Les dispositifs de sécurité ont pour but de protéger l'utilisateur. Par conséquent, ils ne doivent en aucun cas être désactivés ou transformés.

Etrier de commande

Pour une mise hors service immédiate de l'entraînement des brosses : Relâcher l'étrier de commande A la BR/BD... W... l'entraînement est arrêté supplémentaires.

Touche d'arrêt d'urgence

Pour la mise hors service de toutes les fonctions: Appuyer sur la touche d'arrêt d'urgence.

- En cas de pression sur la touche d'arrêt d'urgence, la propulsion auxiliaire s'arrête.

- La touche d'arrêt d'urgence désactive immédiatement toutes les fonctions de l'appareil.
- L'écran et l'affichage de contrôle de la batterie sont aussi désactivés.

Attention

Si la touche d'arrêt d'urgence est pressée pendant le nettoyage, tous les groupes s'arrêtent immédiatement. L'appareil ne peut pas freiné activement. Ce pour cela que l'appareil avance encore jusqu'à 50 cm (1.6 ft), après le guidon de poussée est lâché ou la touche d'arrêt d'urgence est pressée.

Mise en service après arrêt d'urgence:

La mise en service après l'utilisation de la touche d'arrêt d'urgence est décrite dans les chapitres "Mise en service".

Symboles

Les symboles suivants sont utilisés dans ces instructions de service :

Danger

Signalise un danger imminent. Un non respect de cette consigne peut conduire à la mort ou entraîner de graves blessures.

Avertissement

Signalise une situation éventuellement dangereuse. Un non respect de cette consigne peut entraîner de légères blessures ou encore des dégâts matériels.

Remarque

Donne des conseils pour l'utilisation et d'importantes informations relatives au produit.

Fonction

L'appareil est employé pour nettoyer ou pour polir des sols plans par voie humide. Il peut être aisément adapté à l'application respective en ajustant un programme de nettoyage et la quantité d'eau correspondants.

Une largeur de travail de 450/550 (21.6 in) mm et une capacité respective de 40 l (10.5 gal) pour le réservoir d'eau propre et le réservoir d'eau sale sont les garants pour un nettoyage efficace.

L'appareil n'est autotractée, le moteur de traction est alimenté par deux batteries.

Les batteries peuvent être rechargées au moyen d'un chargeur branché à une prise de 120 V.

Une batterie et un chargeur est déjà intégré dans l'équipement des appareils qui font l'objet d'un achat groupé.

Remarque

L'appareil peut être équipé de différents accessoires en fonction de l'application respective.

Utilisation conforme

L'utilisation de l'appareil doit être faite en conformité avec les consignes figurant dans les instructions de service.

- L'appareil doit uniquement être utilisé pour nettoyer des surfaces dures non sensibles à l'humidité ni au polissage.
- La plage de température pour l'utilisation est de +5°C à +40°C (41°F à 104°F).
- L'appareil n'est pas approprié pour nettoyer des sols gelés (par exemple dans des entrepôts frigorifiques)
- L'appareil doit uniquement être équipé d'accessoires et de pièces de rechange d'origine.
- L'appareil a été conçu pour le nettoyage de sols dans le domaine intérieur ou bien de surfaces couvertes d'un toit. Pour d'autres domaines d'application, il faut contrôler l'éventuelle nécessité d'utiliser d'autres brosses.

- L'appareil n'est pas destiné au nettoyage de voies publiques.
- Tenir compte de la sollicitation concentrée admissible du sol.
- L'appareil n'est pas approprié pour l'application dans des environnements à risque d'explosion.

Protection de l'environnement

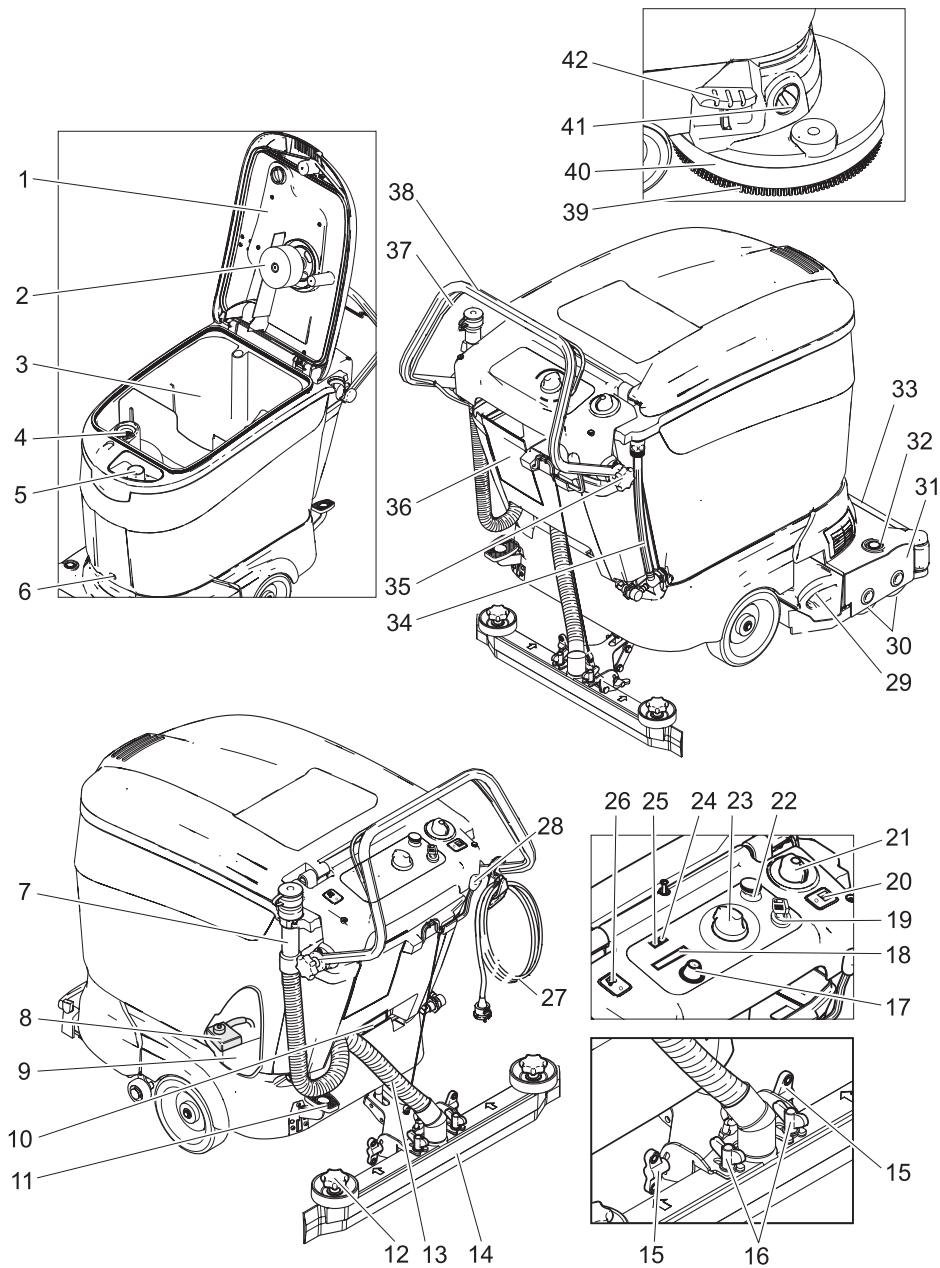


Les matériaux constitutifs de l'emballage sont recyclables. Ne pas jeter les emballages dans les ordures ménagères, mais les remettre à un système de recyclage.



Les appareils usés contiennent des matériaux précieux recyclables lesquels doivent être apportés à un système de recyclage. Il est interdit de jeter les batteries, l'huile et les substances similaires dans l'environnement. Pour cette raison, utiliser des systèmes de collecte adéquats afin d'éliminer les appareils usés.

Éléments de commande



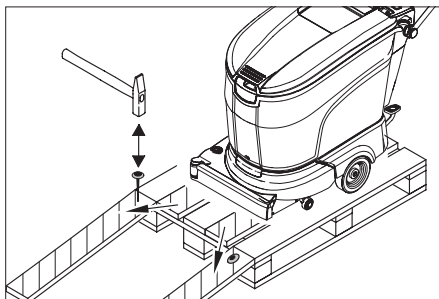
- 1 Couvercle du réservoir d'eau sale
- 2 Flotteur
- 3 Réservoir d'eau sale
- 4 Filtre pour des bouloches de déchets (aspiration)
- 5 Orifice de remplissage pour réservoir d'eau propre
- 6 Vis pour la fixation du réservoir
- 7 Flexible de vidange pour eau sale
- 8 Fusible principal F1
- 9 Batterie *
- 10 Fiche de batterie
- 11 Pédale pour sortir le châssis
- 12 Bouton cannelé pour le remplacement des lèvres d'aspiration
- 13 Flexible d'aspiration
- 14 Barre d'aspiration *
- 15 Ecrus-papillon pour incliner la barre d'aspiration
- 16 Ecrus-papillon pour fixer la barre d'aspiration
- 17 Bouton d'info
- 18 Ecran
- 19 Interrupteur à clé amovible
- 20 Interrupteur Dosage marche/arrêt **
- 21 Bouton de régulation pour la quantité d'eau
- 22 Touche d'arrêt d'urgence
- 23 Bouton sélecteur de programme
- 24 Affichage de surcharge Moteur de brosse et affichage de la panne
- 25 Témoin de contrôle de la batterie
- 26 Interrupteur Traction marche/arrêt
- 27 Câble de raccordement pour le chargeur
- 28 Levier pour abaisser la barre d'aspiration
- 29 Bac à poussière (Saber Compact 22 SP)
- 30 Rouleaux-brosses (Saber Compact 22 SP)
- 31 Tête de nettoyage
- 32 Touche pour changer les brosses (Saber Compact 22 SP)
- 33 Couvercle d'alimentation d'eau
- 34 Indicateur du niveau de remplissage et flexible de vidange pour eau propre
- 35 Bouton cannelé pour la fixation du guidon de poussée
- 36 Absorption du détergent
- 37 Etrier de commande
- 38 Guidon de poussée
- 39 Disques-brosses (Saber Compact 22)
- 40 Couvercle anti-éclaboussures
- 41 Bouton Vitesse d'avancement
- 42 Pédale pour changer les brosses (vatiante BD)

* pas comprise dans l'étendue de livraison

Avant la mise en service

Déchargement de la machine

- Desserrer les boutons cannelés pour la fixation du guidon de poussée.
- Pivoter le guidon de poussée vers l'arrière et serrer à fond les boutons cannelés.



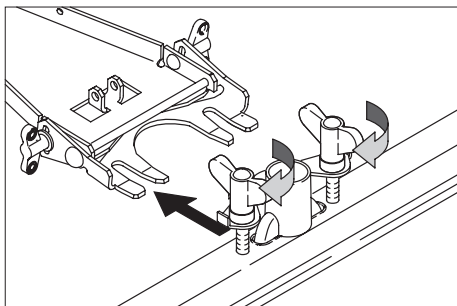
- Poser les longues planches latérales d'emballage sur la palette pour qu'elles servent de rampe de descente.
- Clouer la rampe sur la palette.
- Poser les planches courtes sous la rampe pour qu'elles servent d'appui.
- Retirer les listeaux en bois figurant devant les roues.
- Sortir la pédale pour sortir le train de roulement à droite et laisser lâcher par le haut.
- Appuyer le guidon de poussée breve vers le bas, pour que le châssis peut sortir.
- Descendre l'appareil de la palette en le poussant sur la rampe.

Montage des brosses

Les brosses doivent être montées avant la mise en service (voir 'Travaux de maintenance').

Montage de la barre d'aspiration

- Placer la barre d'aspiration dans la suspension de barre d'aspiration de manière à ce que la tôle moulée figure au-dessus du dispositif de suspension. Serrer à fond les écrous-papillon.



- Emmancher le flexible d'aspiration.

Batteries

Respecter impérativement ces consignes en cas de manipulation des batteries :

	Respecter les consignes situées sur la batterie, dans les instructions de service et dans le mode d'emploi du véhicule
	Porter des lunettes de protection
	Tenir les enfants à l'écart des acides et des batteries
	Risque d'explosion
	Toute flamme, matière incandescente, étincelle ou cigarette est interdite à proximité de la batterie.
	Risque de brûlure

	Premiers soins
	Attention
	Mise au rebut
	Ne pas mettre la batterie au rebut dans le vide-ordures

⚠ Danger

Risque d'explosion. Ne jamais déposer d'outils ou d'objets similaires sur les bornes et les barrettes de connexion de la batterie. Risque de blessure. Ne jamais mettre en contact des plaies avec le plomb. Prendre soin de toujours se laver les mains après avoir manipulé la batterie.

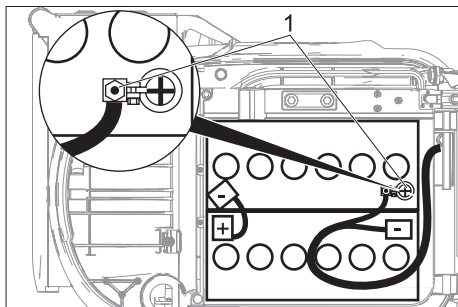
Montage et branchement de la batterie

- Tourner l'interrupteur de sélection de programme sur "OFF", tourner l'interrupteur à clé amovible sur "0".
- Dévisser la vis d'éléments de fixation des citernes et tirer la citerne.

⚠ Avertissement

Risque d'endommagement aux batteries et au réservoir. Monter impérativement les batteries dans le sens indiqué ci-dessous. Relier le câble de connexion et le câble de raccordement aux batteries comme indiqué ci-dessous. Respecter la polarité. Fixer la sécurité de polarité de la batterie dans le sens indiqué. Placer les câbles comme indiqué.

- Mettre les batteries en place dans la cuve en les alignant par rapport à la tête de nettoyage et visser à fond l'équerre de fixation figurant derrière les batteries. Veiller à ne pas coincer de flexibles ou de câbles.
- Graisser les bornes de batterie avec graisse de borne.
- Connecter les bornes avec le câble de raccordement ci-joint.



1 Sécurité de polarisation de la batterie

- Brancher le câble de raccordement ci-joint aux bornes de batterie encore libres (+) et (-).
- Pivoter le réservoir d'eau vers l'avant.
- Visser et serrer la vis d'éléments de fixation des citernes.

⚠ Avertissement

Charger la batterie avant de mettre l'appareil en service.

Chargement de la batterie

⚠ Danger

Risque d'explosion. Le chargement des batteries humides est seulement permis avec capot ouvert.

Remarque

L'appareil dispose d'un dispositif de protection anti-décharge, c'est-à-dire se le minimum admissible de capacité est attendu, les moteurs des brosses et les turbines sont arrêtés. Sur le pupitre de commande, l'affichage de l'état de la batterie apparaît alors en rouge.

En cas de la version ... W Bp Pack, la traction est encore active.

- Amener immédiatement l'appareil à la station de charge en évitant les pentes.

Remarque

Lorsque la protection contre un bas déchargement a réagi, la batterie doit être chargée complètement (jusqu'à l'affichage de contrôle de la batterie s'allume vert). C'est maintenant, que le blocage des fonctions est levé de nouveau par l'électronique.

⚠ Danger

Risque d'électrocution. Tenir compte du réseau de conduction de courant et de la protection par fusibles, cf. "Chargeur".

Utiliser le chargeur seulement dans des pièces sèches et suffisamment aérée !

Remarque

Le temps de charge s'élève en moyenne à environ 10-15 heures.

Les chargeurs recommandés (adaptables à toutes les batteries) disposent d'une réglage électronique et mettent fin automatiquement à la procédure de charge.

Lors de la procédure de charge, toutes les fonctions de l'appareil sont automatiquement interrompues.

Chargement

- Brancher la fiche secteur du chargeur dans la prise.

Remarque

Le chargeur dispose d'un réglage électronique et met fin automatiquement à la procédure de charge. Lors de la procédure de charge, toutes les fonctions de l'appareil sont automatiquement interrompues.

Le témoin de contrôle de la batterie indique la progression de la procédure de charge lorsque la fiche secteur est branchée :

Chargement de rafraîchissement et chargement principal	clignote rapidement jaune
Chargement de conservation (la batterie est chargée)	Le témoin s'allume (vert)

Remarque

Si l'affichage de la panne s'allume pendant le chargement, réparer la panne selon les indications dans le chapitre "Pannes".

Touche d'arrêt d'urgence au chargement

La touche d'arrêt d'urgence est enfoncée:

- le chargement est interrompu
- l'écran affiche "interrupteur d'arrêt d'urgence!" ou "Emergency"
- l'affichage de panne clignote

déverrouiller la touche d'arrêt d'urgence (avec câble d'alimentation branché):

- le chargement est démarré
- l'affichage de contrôle de la batterie clignote jaune

Batteries pour service à maintenance réduite (batteries humides)

- ➔ Ajouter de l'eau distillée une heure avant la fin de la procédure de charge. Respecter le niveau d'acidité approprié. Les mentions correspondantes figurent sur la batterie.

⚠ **Danger**

Risque de brûlure!

- Des fuites d'acide peuvent survenir lors du remplissage de la batterie déchargée.
- Porter impérativement des lunettes de protection lors de toute manipulation d'acide de batterie et respecter les consignes afin d'éviter les blessures et l'endommagement des vêtements.
- En cas de projection d'acide sur la peau ou les vêtements, rincer immédiatement et abondamment à l'eau.

⚠ **Avertissement**

Risque d'endommagement!

- Pour remplir la batterie, utiliser uniquement de l'eau distillée ou désalée (spécification VDE 0510).
- N'employer aucun additif (produit dit d'amélioration) sous peine d'annulation de toute garantie.

⚠ **Avertissement**

Utiliser, en cas des appareil qui vont partie d'un achat groupé uniquement des batterie pour service à maintenance réduite.

Batteries recommandées

N° de commande	Description
6.654-093.0	75 A, sans entretien, 2 pièces sont nécessaires
6.654-097.0	80 A, avec un minimum d'entretien, 2 pièces sont nécessaires

Mise en service

- ➔ Si la touche d'arrêt d'urgence est enfoncée, tourner l'interrupteur à clé amovible sur la position 0 et déverrouiller le capteur d'arrêt d'urgence en tournant.
- ➔ Mettre l'interrupteur à clé sur "1".

Fonctionnement

⚠ **Avertissement !**

Risque d'endommagement. Toujours soulever la barre d'aspiration avant de rouler en marche arrière.

Remarque

Relâcher l'étrier de commande pour mettre immédiatement l'entraînement des brosses hors service.

Remplissage de carburant

⚠ **Avertissement**

Risque d'endommagement. Utiliser uniquement les détergents recommandés. Pour tout autre détergent, l'exploitant prend des risques plus élevés quant à la sécurité du travail et au risque d'accident. Utiliser uniquement des détergents exempts de solvants, d'acide chlorhydrique et fluorhydrique.

Remarque

Ne jamais utiliser de détergents extrêmement moussants. Tenir compte des consignes de dosage.

À la tête de nettoyage, à l'eau propre est ajoutée par le dispositif de dosage le détergent.

Remarque

Avec le dispositif de dosage il est dosé 1% de détergent en plus. Le dosage peut être réglé entre 0 et 3%. A un plus haut dosage, tout le détergent peut être rempli dans le réservoir d'eau douce.

Le dispositif de dosage est construit pour des bouteilles de détergent de 2,5 litres (0.66 gal).

⚠ Avertissement

Risque de bouchage par le détergent desséchant. L'indicateur de débit du dispositif de dosage peut coller à cause du détergent desséchant et peut empêcher la fonction du dispositif de dosage. Ensuite rincer le réservoir d'eau douce et l'appareil avec l'eau claire. Pour le rinçage ouvrir complètement le bouton de réglage pour la quantité d'eau et régler le programme de nettoyage avec la commande d'eau au commutateur de programme de sélection

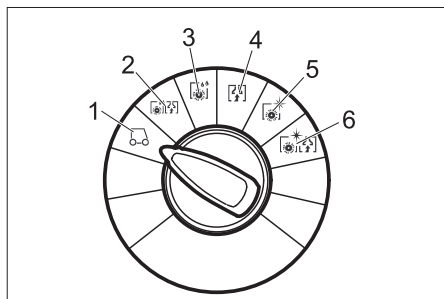
- Ouvrir le couvercle du réservoir d'eau sale.
- Remplir eau jusqu'au repère MAX de l'indicateur de niveau de remplissage. Température maximale du liquide, 60°C (140 °F).
- Fermer le couvercle du réservoir d'eau sale.
- Dévisser le couvercle de la bouteille de détergent.
- Visser le couvercle ci-joint au dispositif de dosage sur la bouteille de détergent.
- Pivoter vers l'extérieur l'absorption du détergent
- Mettre la bouteille de détergent avec le couvercle dans l'autre sens dans l'absorption de détergent et enfoncer solidement.
- Répivoter l'absorption du détergent

Déplacement vers le lieu d'utilisation

Si le train de roulement est sorti, l'appareil peut être poussé sur le lieu d'utilisation sans que les brosses ne touchent le sol.

- Soulever la barre d'aspiration.
- Sortir la pédale pour sortir le train de roulement à droite et laisser lâcher par le haut.
- Appuyer le guidon de poussée breve vers le bas, pour que le châssis peut sortir.
- Pousser l'appareil sur le lieu d'utilisation au moyen du guidon de poussée.

Les programmes de nettoyage



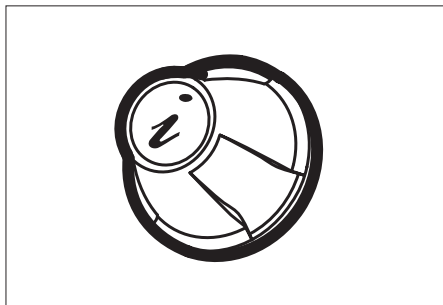
- 1 Avancer Avancer jusqu'au lieu d'intervention
- 2 Aspiration humide Nettoyage humide du sol et aspiration de l'eau sale.
- 3 Brossage humide Nettoyage humide du sol et laisser agir le détergent.
- 4 Aspiration Aspirer les saletés.
- 5 Polissage Polir le sol sans appliquer de liquide.
- 6 Aspirer en récurant sans utiliser d'eau (aspiration de polissage) polir le sol sans appliquer de liquide et aspirer la poussière de polissage (accessoire)

Témoin de contrôle de la batterie

Le témoin de contrôle de la batterie indique l'état de charge des batteries lorsque le chargeur est débranché :

40-100%	Le témoin s'allume (vert)
20-40%	Le témoin s'allume (jaune)
0-20%	Le témoin clignote lentement (rouge)
vide	Le témoin s'allume (rouge)

Bouton d'info



Le bouton Info permet de sélectionner des options du menu et d'effectuer des réglages.

- Respectivement, une rotation vers la droite ou la gauche permet de parcourir les menus en avant ou en arrière.
- Appuyer sur un réglage proposé pour le confirmer ce choix.

Réglages

Les réglages relatifs aux différents programmes de nettoyage s'effectuent dans le menu Utilisateur. En fonction du programme de nettoyage, le nombre des paramètres réglables varie. Les réglages s'effectuent au moyen du bouton Info.

Menu Utilisateur

- Tourner la touche d'arrêt d'urgence pour la déverrouiller.
- Mettre l'interrupteur à clé sur "1".
- Positionner l'interrupteur Traction sur "1" ou positionner l'interrupteur de sélection de programme sur le programme de nettoyage souhaité (1...6).
L'écran affiche l'état de chargement de la batterie.
- Sélectionner le paramètre en tournant le bouton Info. La valeur actuellement paramétrée s'affiche.
- Appuyer sur le bouton d'info, la valeur/ barre clignote.
- Modifier les paramètres en tournant le bouton Info entre "min" et "max".

- Confirmer les modifications en appuyant sur le bouton Info ou attendre 10 secondes afin que la valeur paramétrée soit appliquée automatiquement.

Remarque

Si, au bout de 10 secondes, le paramètre choisi n'est pas modifié, l'écran retourne à l'affichage de l'état de charge de la batterie. Les paramètres de nettoyage sont réglables et sont valables pour tous les programmes. Tous les réglages restent en mémoire même lorsque l'appareil n'est pas alimenté en courant.

Retourner le paramètre

- Régler le programme de nettoyage récurage humide, aspiration, polissage, aspiration de récurage ou aspiration de polissage à l'interrupteur de sélection de programme.
- Sélectionner dans le menu Utilisateur le point "Réglage d'usine" en tournant le bouton Info.
- Appuyer sur le bouton Info. Tous les paramètres par défaut sont rétablis pour chaque programme de nettoyage.

Paramètres réglables	min:pas:max	Remarque
Dosage de détergent (DOSE)	0,5% : 0,5% : 3%	Concentration de débit Détergent
Uniquement Saber Compact 22 SP: FACT *) (rotation de la brosse)	–	Power-, Whisper-, Fine Clean
Cleanspeed	0 : 1 : 5	Vitesse de déplacement

*) La puissance de nettoyage peut être réglée en 3 niveau.

- Fine Clean: Rotation faible de la brosse pour éliminer voilage sur grès cérame fin.

- Whisper Clean: Rotation moyenne de la brosse pour le nettoyage d'entretien avec un niveau sonore réduit.
- Power Clean: Rotation élevée de la brosse pour polir, cristalliser et balayer.

Paramètre par défaut

Le tableau ci-dessous indique les valeurs par défaut des programmes de nettoyage. Si aucune valeur n'est mentionnée, le paramètre concerné ne peut être modifié dans le programme de nettoyage spécifié.

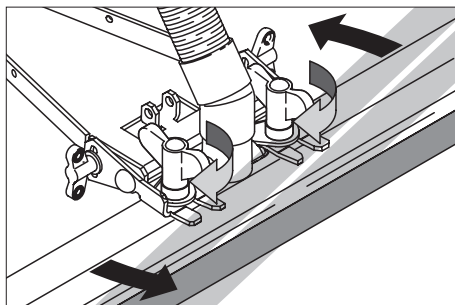
<div style="border: 1px solid black; padding: 2px; display: inline-block;"> min ■■■■□□max </div>	Dosage de détergent	Cleanspeed	FACT (rotation de la brosse)
Aspiration de récurage	1	3	P
Brossage humide			
Aspiration de poussières	-		-
Polissage			P
Aspiration de polissage			
Déplacement		-	-
*) uniquement Saber Compact 22 SP: P= Power Clean			

Réglage de la barre d'aspiration

Position inclinée

Pour améliorer le résultat de l'aspiration sur des revêtements carrelés, il est possible de tourner la barre d'aspiration jusqu'à une position inclinée de 5°.

- Desserrer les écrous-papillons.
- Tourner la barre d'aspiration.

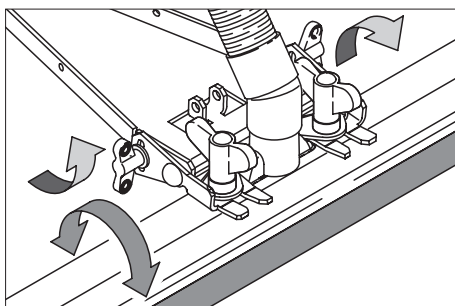


- Serrer à fond les écrous-papillons.

Inclinaison

Si le résultat de l'aspiration n'est pas suffisant, il est possible de modifier le degré d'inclinaison de la barre d'aspiration.

- Desserrer les écrous-papillons.
- Incliner la barre d'aspiration.



- Serrer à fond les écrous-papillons.

Entraînement de déplacement

L'appareil est équipé d'une propulsion auxiliaire avec à roue libre. A cause de la roue libre, l'appareil peut être poussé aussi manuellement.

Mettre le sélecteur en position:

- Tourner la touche d'arrêt d'urgence pour la déverrouiller.
- Tourner l'interrupteur à clé amovible de la position 0 sur 1.
- Activer l'interrupteur Traction.

L'écran et l'affichage de contrôle de la batterie sont actifs.

- Actionner le guidon à poussée.

L'appareil accélère et se bouge ensuite avec la vitesse de transport (4 km/h / 2.5 mph)

→ Relâcher l'étrier de commande

L'appareil freine.

Sélecteur sur programme de nettoyage (position 2...6)

→ Tourner la touche d'arrêt d'urgence pour la déverrouiller.

→ Tourner l'interrupteur à clé amovible de la position 0 sur 1.

L'écran et l'affichage de contrôle de la batterie sont actifs.

En cas de programmes avec aspiration, la turbine d'aspiration démarre.

→ Actionner le guidon à poussée.

En cas de programmes avec fonction de broissage, la tête de nettoyage est activée.

→ Activer la propulsion auxiliaire avec l'interrupteur Traction.

L'appareil accélère et se bouge ensuite avec la vitesse de nettoyage (Cleanspeed 0,8...4 km/h / 0.5...2.5 mph) qui est réglée dans le menu d'utilisation.

→ Lâcher le guidon à poussée ou désactiver l'interrupteur Traction.

L'appareil freine.

Nettoyage

→ Rentrer le train de roulement. Presser la pédale par le bas et pour enclencher à gauche.

→ Tourner le sélecteur de programme sur le programme de nettoyage souhaité.

→ Régler la quantité d'eau correspondant à la salissure et l'espèce du sol au bouton de réglage.

→ Positionner l'interrupteur Dosage marche/arrêt sur "CHEM".

→ Abaisser la barre d'aspiration.

→ Mettre les brosses en marche en tirant sur l'étrier de commande.

→ Positionner l'interrupteur Traction 0/1 sur Marche. En tirant le guidon de poussée, le moteur de transport est allumé en plus de l'entraînement de la brosse. L'appareil se déplace avec la vitesse réglée

dans le menu Utilisateur sous le point de menu "Cleanspeed".

⚠ **Avertissement !**

Risque d'endommagement pour le revêtement de sol. Ne pas exploiter l'appareil sur place.

Arrêt et mise hors marche de l'appareil

→ Fermer le bouton de régulation pour la quantité d'eau.

→ Encore avancer l'appareil de 1 à 2 m (3 à 6 ft) pour aspirer toute l'eau restante.

→ Tourner le sélecteur de programme sur la position "OFF" ou "Déplacer". En cas de BR/BD...W Bp Pack tourner l'interrupteur à clé amovible sur "0".

Remarque

Si l'interrupteur à clé amovible est éteint sans tourner le sélecteur de programme dans la position "OFF", l'annonce de display "retard d'aspiration" ou "Vacuum time lag!" apparaît en cas des programmes avec aspiration (2, 4, 6). La turbine d'aspiration éteint seulement avec 10 secondes de retard, pour vider complètement le flexible d'aspiration.

→ Soulever la barre d'aspiration.

→ Sortir la pédale pour sortir le train de roulement à droite et laisser lâcher par le haut.

→ Appuyer le guidon de poussée breve vers le bas, pour que le châssis peut sortir.

→ Débrancher le câble d'alimentation.

⚠ **Avertissement !**

Risque de déformer la/les brosse/s. Lors de la mise hors marche/stationnement de l'appareil, soulager la/les brosse/s en abaissant le train de roulement vers l'avant

Vidange du réservoir d'eau sale

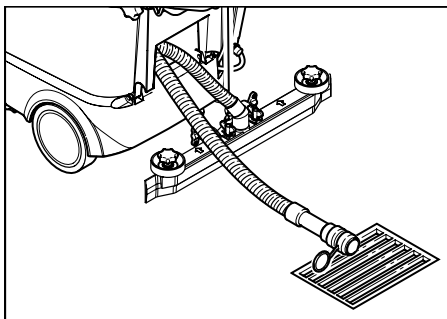
Remarque

Si le réservoir d'eau sale est plein, le flotteur ferme le canal d'aspiration, la turbine d'aspiration continue en marche. L'aspiration est alors interrompue. Vider le réservoir d'eau sale.

⚠ Avertissement

Tenir compte des prescriptions locales pour le traitement des eaux usées.

- Tourner le sélecteur de programme sur "OFF" ou "Déplacer" et atteindre jusqu'à ce que l'appareil s'arrête.
- Sortir le flexible de vidange pour l'eau sale du dispositif de maintien et l'abaisser au-dessus d'un collecteur approprié.



- Vider l'eau en ouvrant le dispositif de dosage sur le flexible de vidange.
- Puis rincer le réservoir d'eau sale à l'eau propre.

Vidange du réservoir d'eau propre

- Desserrer le raccord figurant sur l'extrémité supérieure de l'indicateur du niveau de remplissage.
- Abaisser le flexible de l'indicateur du niveau de remplissage au-dessus d'un collecteur approprié et laisser écouler le liquide.
- Enclencher de nouveau le raccord sur l'appareil.

Transport

- Pour le transport sur un véhicule, bloquer l'appareil pour l'empêcher de glisser.

Pour réduire la place nécessaire, il est possible de pivoter le guidon de poussée vers l'avant :

- Desserrer les boutons cannelés pour la fixation du guidon de poussée.
- Pivoter le guidon de poussée vers l'avant.

Entretien et maintenance

⚠ Danger

Risque de blessure. Avant d'effectuer tout type de travaux sur l'appareil, tourner le sélecteur de programme sur la position 'OFF' et débrancher la fiche secteur. En cas de BR...W Bp tourner en plus l'interrupteur à clé amovible sur "0" et appuyer sur la touche d'arrêt d'urgence.

⚠ Avertissement

Risque de dommage pour l'appareil par eau que fuit. Vider l'eau sale et l'eau propre résiduaire avant commencer les travaux à l'appareil.

Plan de maintenance

Après le travail

⚠ Avertissement

Risque d'endommagement. Ne pas laver l'appareil au jet d'eau et ne jamais utiliser de détergents agressifs.

- Vider l'eau sale.
- Contrôler le tamis à peluches et le cas échéant, le nettoyer.
- Nettoyer l'extérieur de l'appareil avec un chiffon humide et imbibé de détergent doux.
- Nettoyer les lèvres d'aspiration et les lèvres d'enlèvement, puis contrôler leur degré d'usure et le cas échéant, les nettoyer.
- Contrôler le degré d'usure des brosses et le cas échéant, les remplacer.
- Charger la batterie, en cas de besoin.

Mensuellement

- En cas d'un appareil temporairement mis hors de service: Effectuer le charge d'égalisation de la batterie.
- Contrôler les bornes de la batterie, en cas de besoin brosser et graisser avec graisse de borne. Faire attention que les câbles de raccordement sont bien branché.
- Contrôler en cas de batteries avec maintenance la concentration de l'acide des cellules.

- Contrôler les joints entre le réservoir d'eau sale et le couvercle ; le cas échéant, les remplacer.
- Nettoyer le tunnel des brosses (uniquement Saber Compact 22 SP).
- Retirer le capot d'alimentation d'eau à la tête de nettoyage et nettoyer le canal. (uniquement Saber Compact 22 SP).
- Nettoyer le raccordement pour la bouteille de détergent avec un chiffon humide.

Après 400 heures de service ou tous les ans

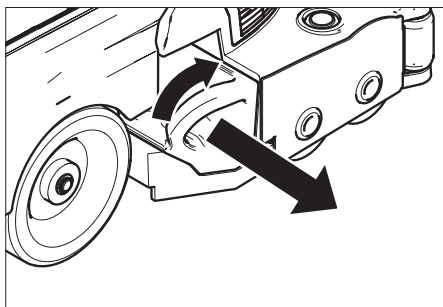
- Changer le flexible de pompe de la pompe de dosage.

Tous les ans

- L'inspection prescrite doit être effectuée par le service après-vente.

Travaux de maintenance

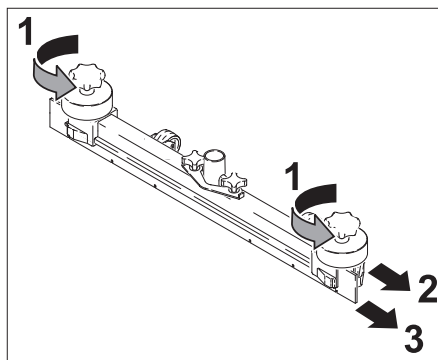
Vider la poubelle (uniquement Saber Compact 22 SP)



- Tourner la poubelle légèrement dans le sens des aiguilles d'une montre et retirer.
- Vider le bac à poussières.
- Poser de nouveau la poubelle.

Changer ou tourner les lèvres d'aspiration.

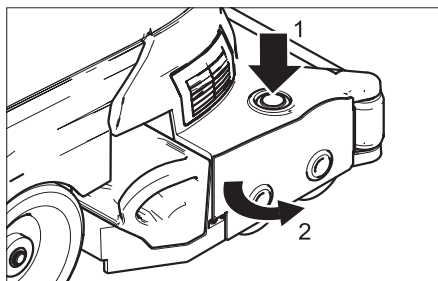
- Retirer la brosse d'aspiration.
- Dévisser le bouton cannelé.



- Retirer les pièces plastiques.
- Retirer les lèvres d'aspiration.
- Tourner les lèvres d'aspiration ou mettre des nouvelles lèvres d'aspiration.
- Mettre en place des pièces plastiques.
- Visser et serrer les boutons cannelés.

Remplacement des rouleaux-brosses

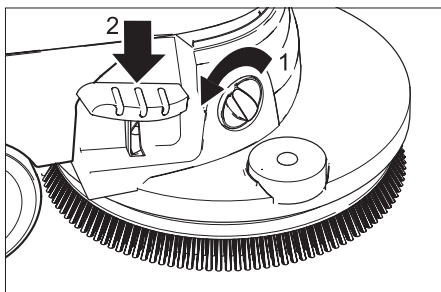
- Vider le réservoir d'eau sale.
- Sortir la pédale pour sortir le train de roulement à droite et laisser lâcher par le haut.
- Appuyer le guidon de poussée breve vers le bas, pour que le châssis peut sortir.



- Appuyer sur la touche changer brosses et pivoter le couvercle à la tête de brosse vers la côté.
- Retirer les rouleaux-brosses.
- Mettre un nouveau rouleau-brosse en place et le faire enclencher.
- Fermer le couvercle, orienter les brosses et enclencher dans le couvercle.
- Rentrer le train de roulement. Presser la pédale par le bas et pour enclencher à gauche.

Échanger les disques-brosses

- Vider le réservoir d'eau sale.
- Sortir la pédale pour sortir le train de roulement à droite et laisser lâcher par le haut.
- Appuyer le guidon de poussée breve vers le bas, pour que le châssis peut sortir.

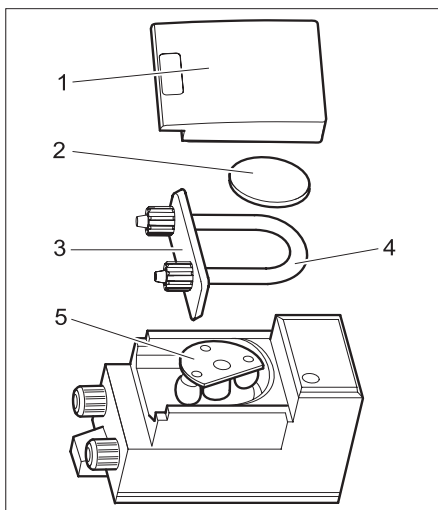


- Tourner le bouton de régulation de la vitesse de traction avant dans le sens "←".
- Presser la pédale pour changer les brosses contre la résistance par le bas.
- Conduire l'appareil en arrière, jusqu'à la disque-brosse est libre.
- Éliminer la disque-brosse et poser la nouvelle disque-brosse avant l'appareil.
- Avancer l'appareil au-dessous la disque-brosse.
- Presser la pédale par le bas pour sortir le train de roulement et par la gauche pour enclencher. La brosse s'enclenche dans la transmission de brosse.
- Régler la vitesse de traction avant.

Changer le flexible de pompe

- Vider le réservoir d'eau propre et d'eau sale.
- Retirer la bouteille de détergent du support de détergent.
- Dévisser la vis d'éléments de fixation des citernes et tirer la citerne.

La pompe de dosage se trouve derrière les batteries.



- 1 Capot de boîtier
 - 2 Capot
 - 3 Porte-tuyau
 - 4 Flexible de pompe
 - 5 Rotor
- Enlever le capot de boîtier.
 - Retirer le capot.
 - Retirer le Porte-tuyau avec le flexible de pompe (pour retirer plus facilement, tourner le rotor manuellement).
 - Remplacer le flexible de pompe.
 - Mettre la pompe de dosage et l'appareil encore prêt à fonctionner en ordre inverse.

Contrat de maintenance

Afin de pouvoir garantir un fonctionnement fiable de l'appareil, il est possible de conclure des contrats de maintenance avec le bureau de ventes Windsor responsable.

Protection antigel

En cas de risque de gel :

- Vider le réservoir d'eau propre et le réservoir d'eau sale.
- Déposer l'appareil dans une pièce à l'abri du gel.

Pannes

⚠ Danger

Risque de blessure. Avant d'effectuer tout type de travaux sur l'appareil, tourner le sélecteur de programme sur la position 'OFF' et débrancher la fiche secteur. Tourner en plus l'interrupteur à clé amovible sur "0" et appuyer sur la touche d'arrêt d'urgence.


➔ *Vider et éliminer l'eau sale et le reste d'eau propre.*

En cas de pannes ne pouvant pas être résolues grâce aux instructions de ce tableau, appeler le service après-vente.

Remarque

Lorsque des pannes sont affichées, positionner en premier le sélecteur de programme sur OFF ou Déplacer et éteindre l'interrupteur à clé amovible (s'il existe). Atteindre 15 secondes. Mettre en marche l'appareil. Si l'erreur est affiché de nouveau, réparer la cause selon le tableau suivant ou appeler le service après-vente.

Pannes avec affichage

Témoin de surcontrainte 	Display	Panne	Remède
Lumière permanente	Pcb. Störung=4 Pcb. fault=4	Système électronique défectueux	Contactez le service après-vente
clignote 1 fois	Bürstm.Störung=1 Brushmot.fault=1	Court-circuit Moteur de la brosse	Contactez le service après-vente
	Saugtb.Störung=1 Vac.mot. fault=1	Court-circuit Moteur d'aspiration	
	Ventil.Störung=1 Valve fault=1	Court-circuit Electrovalve	
	Fahrmt.Störung=1 Drivemot.fault=1	Court-circuit Moteur de transport	
clignote 2 fois	Bürstm.Störung=2 Brushmot.fault=2	Rupture de câble Moteur de la brosse	Contactez le service après-vente
	Saugtb.Störung=2 Vac.mot. fault=2	Rupture de câble Moteur d'aspiration	
	Ventli.Störung=2 Valve fault=2	Rupture de câble Electrovalve	
	Fahrmt.Störung=2 Drivemot.fault=2	Rupture de câble Moteur de transport	
clignote 3 fois	Heiss, abkühlen! Hot, let cool!	La température du système électronique est trop haute	Laisser refroidir le système électronique au moins 15 minutes.
	Saugtb.Störung=3 Vac.mot. fault=3	Surcharge Moteur d'aspiration	Tourner le sélecteur de programme sur la position Off ou Déplacer. Puis, choisir de nouveau le programme de nettoyage souhaité. Si le défaut apparaît de nouveau, contactez le service après-vente.
	Bürstenüberlast! Brush Overload!	Surcharge Moteur de la brosse	
	Fahrmt.Störung=3 Drivemot.fault=3	Surcharge Moteur de transport	
clignote 4 fois	Prüfe Battspannung Check Battery!	La tension de la batterie ne se trouve pas entre 17 et 33 V	Contactez le service après-vente
		Il y a une tension trop haute au chargement	
	Batteriefehler! Battery fault!	Erreur de la batterie	
	Interrupteur d'arrêt d'urgence! Emergency button	La touche d'arrêt d'urgence est enfoncée au chargement de la batterie	Déverrouiller la touche d'arrêt d'urgence. .

Pannes

Panne	Remède
Il est impossible de mettre l'appareil en marche	Contrôler la batterie, le cas échéant charger. Charger complètement des batterie qui sont complètement déchargée, afin que le blocage de fonction peut être enlevé par le système électronique.
	Vérifier le fusible à broche (100 A) situé au niveau du pôle plus de la batterie. Si le fusible est défectueux, contacter le service après-vente.
Quantité d'eau insuffisante	Contrôler le niveau d'eau propre et en cas de besoin, remplir le réservoir
	Contrôler si les flexibles sont bouchés, en cas de besoin nettoyer.
	Saber Compact 22 SP: Retirer le capot d'alimentation d'eau à la tête d'aspiration et nettoyer le canal d'eau.
Puissance d'aspiration insuffisante	Nettoyer les joints entre le réservoir d'eau sale et le couvercle et vérifier s'ils sont étanches, en cas de besoin remplacer.
	Nettoyer le tamis à peluches.
	Nettoyer les lèvres d'aspiration sur la barre d'aspiration et en cas de besoin tourner ou remplacer.
	Vérifier si le flexible d'aspiration et la barre d'aspiration sont colmatés et le cas échéant, éliminer le colmatage
	Contrôler si les flexibles d'aspiration sont étanches et en cas de besoin remplacer.
	Vérifier si le couvercle sur le flexible de vidange d'eau sale est fermé.
	Vérifier le réglage de la barre d'aspiration.
	Contrôler si la turbine est en marche et s'elle produit basse pression, le cas échéant contacter le service après-vente.
Résultat de nettoyage insuffisant	Rentrer le train de roulement.
	Contrôler le degré d'usure des brosses et le cas échéant, les remplacer.
	Contrôler le dosage de détergent (option).
Le dosage du détergent se réduit	Remplacer le flexible de pompe de la pompe de dosage.
La bouteille de détergent se déforme lors du prélèvement de détergent. L'entrée d'air pour la compensation de pression est en défaut.	Pivoter vers l'extérieur le support de détergent et sortir la bouteille de détergent. Dévisser le couvercle de la bouteille de détergent. Retirer la valve (capuchon en caoutchouc) et la nettoyer dans de l'eau chaude. Mettre de nouveau la soupape en place.
Les brosses ne se tournent pas	Vérifier si des corps étrangers bloquent les brosses et le cas échéant, éliminer les corps étrangers.
Flexible de vidange pour eau sale bouché	Ouvrir le dispositif de dosage au flexible de vidange Retirer le flexible de vidange de la barre d'aspiration et fermer à la main. Positionner le sélecteur de programme sur aspirer. Le bouchon est aspiré depuis le flexible de vidange dans le réservoir d'eau sale.

Données techniques

		Saber Compact 22 SP	Saber Compact 22
Performances			
Tension nominale	V	24	
Puissance absorbée moyenne	W	750	
Puissance du moteur d'aspiration	W	600	
Puissance de moteur de brosses	W	600	
Puissance du moteur de transport	W	130	
Aspiration			
Puissance d'aspiration, débit d'air	l/s (gpm)	18 (285)	
Puissance d'aspiration, dépression	kPa (psi)	105 (15.2)	
Brosses de nettoyage			
Largeur de travail	mm (in)	550 (21.6)	
Diamètre des brosses	mm (in)	96 (3.8)	550 (21.6)
Rotation de la brosse (Power Clean)	1/min	1400	160
Dimensions et poids			
Surface théoriquement nettoyable	m ² /h (ft ² /h)	2200 (23680)	
Volume du réservoir d'eau propre/réservoir d'eau sale	l (gal)	40 (10.5)	
Capacité de la poubelle (uniquement BR)	l (gal)	approx. 2 (0.5)	–
Longueur (sans guidon de poussée)	mm (in)	1100 (43.3)	
Largeur (sans barre d'aspiration)	mm (in)	650 (25.6)	
Hauteur (sans guidon de poussée)	mm (in)	900 (35.4)	
Poids (avec/sans batterie, sans contenu de réservoir)	kg (lbs)	170/90 (375/198)	
Emissions sonores			
Niveau de pression acoustique (EN 60704-1)	dB(A)	70	67
Vibrations de l'appareil			
Valeur globale de vibrations (ISO 5349)	m/s ²	1,0	

Pièces de rechange

- Utiliser uniquement des accessoires et des pièces de rechange autorisés par le fabricant. Des accessoires et des pièces de rechange d'origine garantissent un fonctionnement sûr et parfait de l'appareil.
- Une sélection des pièces de rechange utilisées le plus se trouve à la fin du mode d'emploi.

Uniquement pour le personnel spécialisé et autorisée!

Travaux de maintenance

Toutes les 200 heures de service

- 1 Contrôler les bornes de batterie à l'oxydation.
- 2 Contrôler la fixation des raccordements de la batterie.
- 3 Contrôler le niveau d'acide de la batterie (uniquement en cas de batteries avec un minimum de entretien).
- 4 Contrôler le degré d'endommagement et d'oxydation des conduites et des contacts conducteurs
- 5 Contrôler la fonction et la douceur de fonctionnement de l'étrier de commutation.
- 6 Mesurer la tension des cellules de la batterie avec la turbine d'aspiration en marche (DU £ 0,15 Volt).
- 7 Contrôler le sens de rotation, l'usure et le réglage des brosses (réflecteur de brosse).
- 8 Contrôler la tension et l'usure des courroies d'entraînement des brosses.
- 9 Nettoyer la grille d'entrée d'air dans la tête de nettoyage.
- 10 Contrôler le doseur d'eau, l'électrovalve et la distribution d'eau.
- 11 Contrôler l'étanchéité de la canalisation d'eau, en particulier l'écrou-raccord du réservoir d'eau propre/d'eau sale.
- 12 Contrôler la fonction e la turbine d'aspiration/des barres d'aspiration.
- 13 Contrôler l'usure et le réglage des lèvres d'aspiration.
- 14 Contrôler la fonction du flottant dans le réservoir d'eau sale.
- 15 Contrôler l'étanchéité du flexible d'aspiration.
- 16 Contrôler l'étanchéité du flexible de vidange d'eau sale.
- 17 Contrôler l'étanchéité de l'affichage du niveau de remplissage/du flexible de vidange d'eau propre avec douille d'angle au bout inférieur.

- 18 Nettoyer la barre de distribution d'eau (uniquement Saber Compact 22 SP).
- 19 Contrôler et nettoyer le réservoir des mesures préventives (uniquement Saber Compact 22 SP)
- 20 Contrôler l'étanchéité à la couvercle du réservoir.
- 21 Nettoyer le tamis à peluches.
- 22 Contrôler l'usure des roues.
- 23 Contrôler la fonction de la mécanique pour abaisser et soulever du mécanisme de commande.
- 24 Contrôler toutes les fonctions avec un test.

Toutes les 400 heures de service

- 1 Contrôler l'usure des balais de charbon dans l'entraînement de brosse, la turbine d'aspiration et le moteur de traction, en cas échéant changer les balais de charbon.
- 2 Changer le flexible de pompe de la pompe de dosage.

Toutes les 800 heures de service

- 1 Changer le courroies crantées dans la tête de brosse.

INSTRUCCIONES IMPORTANTES DE SEGURIDAD

LEA TODAS LAS INSTRUCCIONES ANTES DE USAR LA MÁQUINA

ADVERTENCIA

Para evitar el peligro de incendio, descarga eléctrica o heridas:

- No se aleje de la máquina mientras esté enchufada. Saque el enchufe de la base cuando no la esté usando, y antes del mantenimiento.

ADVERTENCIA

- PARA EVITAR PELIGRO DE DESCARGAS ELÉCTRICAS, LA MÁQUINA SÓLO DEBE EMPLEARSE EN INTERIORES
- La máquina no es un juguete. Llevar mucho cuidado si va a utilizarse donde hay niños.
- La máquina sólo debe emplearse tal como se describe en este manual. Sólo deben usarse los accesorios recomendados por el fabricante.
- No emplearla si el cable o el enchufe están dañados. Si la máquina no funciona correctamente, si se ha caído, si está averiada, si ha permanecido al exterior o si ha caído al agua, devolverla al servicio posventa.
- No tirar de la máquina ni alzarla con el cable, no emplear el cable como manija, no aprisionarlo con una puerta ni pasarlo sobre esquinas o bordes agudos. No pasar la máquina sobre el cable. Mantener el cable alejado de fuentes de calor.
- Al desenchufar, no tirar del cable. Para desenchufar, tomar el enchufe y no el cable.
- No tocar el enchufe ni la máquina con las manos mojadas.

- No colocar objetos en las aberturas. No usar la máquina con las aberturas obstruidas; éstas deben estar libres de polvo, pelusa, pelos y cualquier otro objeto que pueda impedir el paso de aire.
- Mantener el cabello, la ropa, los dedos y todas las partes del cuerpo alejadas de las aberturas y las piezas móviles.
- Apagar la máquina antes de desenchufarla.
- Llevar mucho cuidado al trabajar en escaleras.
- No emplearla para recoger líquidos inflamables o combustibles, p.ej. gasolina, ni en zonas donde pueda haber dichos líquidos.
- Es imprescindible que la toma eléctrica esté debidamente puesta a tierra. Véanse las Instrucciones de Puesta a Tierra.

GUARDE ESTAS INSTRUCCIONES

INSTRUCCIONES DE PUESTA A TIERRA

La máquina debe ser puesta a tierra. Si no funciona bien, o si se estropea, la puesta a tierra constituye una vía de menor resistencia para la corriente eléctrica, para disminuir el peligro de descarga eléctrica. La máquina está provista de cable con conductor de puesta a tierra, y enchufe con puesta a tierra. El enchufe debe insertarse en una base de enchufe adecuada, debidamente instalada y puesta a tierra, conforme a la legislación y las normas válidas en el lugar de utilización.

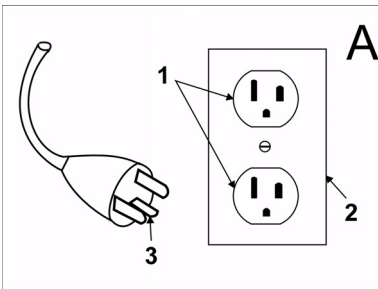
ADVERTENCIA

Si el conductor de puesta a tierra de la máquina está mal conectado, puede haber peligro de descarga eléctrica. Consulte a un electricista experto o a un técnico de mantenimiento, si Ud. no sabe con certeza si la base de enchufe está correctamente puesta

a tierra. No cambie el enchufe suministrado con la máquina - no encajará en la base de enchufe; acuda a un electricista experto. La máquina está diseñada para emplearla en un circuito de

120 voltios; tiene un enchufe de puesta a tierra cuyo aspecto es como se ilustra en la Figura A. Cerciórese de conectar la máquina a una base de enchufe de la misma configuración que el conector. Con esta máquina no deben emplearse adaptadores.

CONECTAR SÓLO A UNA BASE DE ENCHUFE CORRECTAMENTE PUESTA A TIERRA



- 1 Enchufe puesto a tierra
- 2 Caja de enchufe puesta a tierra
- 3 Pin puesto a tierra

NORMAS Y PROCEDIMIENTOS DE SEGURIDAD DURANTE EL FUNCIONAMIENTO

Responsabilidad del operario

El operario será responsable de garantizar un funcionamiento seguro.

El operario deberá estar familiarizado con el manejo y las funciones de todos los elementos de mando y todos los instrumentos antes de proceder al manejo de la unidad.

Antes de poner en funcionamiento la unidad, los operarios deberán haber leído el manual de instrucciones de la unidad particular de que se trate y estar familiarizados con él; además, deberán respetar las nor-

mas y procedimientos de seguridad que se describen a continuación.

Antes de poner en funcionamiento una unidad cualquiera, el operario deberá conocer bien las posibles condiciones inusuales de funcionamiento que requieren la adopción de determinadas precauciones especiales o para las que existen unas instrucciones de manejo especiales.

Generalidades

Antes de poner en funcionamiento la unidad, ésta deberá encontrarse en la posición de servicio.

No ponga en marcha ni utilice la unidad ni ninguna de sus funciones o sus aditamentos desde un lugar que no sea el concebido para el operario.

Antes de abandonar la posición del operario:

A pare la unidad por completo;

B si es necesario dejar la unidad en una pendiente, bloquee las ruedas.

Guarde una distancia segura respecto a los bordes de las rampas y las plataformas, y respecto a los de otras superficies de trabajo similares.

No efectúe ampliaciones ni modificaciones en la unidad.

No bloquee el acceso a las salidas previstas en caso de incendio, las escaleras o los extintores.

Durante la circulación

Ceda el paso a los peatones y a los vehículos de emergencia, como son las ambulancias y los camiones de bomberos.

Siempre que sea posible, cruce las vías férreas formando un ángulo con ellas. No estacione a menos de 6 ft (1800 mm) de distancia respecto a los raíles o las vías férreas más cercanos.

Asegúrese de mantener una vista libre de obstáculos del trayecto a recorrer, respete las normas de tráfico, tenga cuidado con las personas y guarde las distancias de seguridad.

Sean cuales sean las condiciones de circulación, conduzca la unidad siempre a una velocidad tal que le permita detenerse por completo de modo seguro.

Durante la conducción, no acceda jamás a realizar acrobacias o competiciones.

Cuando circule por pisos húmedos o resbaladizos, reduzca la velocidad.

Antes de circular por un muelle o por el tablero de un puente, asegúrese de que dichos elementos estén correctamente sujetos. Conduzca con precaución y despacio por el muelle y el puente, y no sobrepase nunca la capacidad nominal de los mismos. Cuando tenga que efectuar giros, reduzca la velocidad hasta que sea seguro efectuarlos conforme al entorno en que esté maniobrando. Realice los giros con suavidad.

Cuidado de la unidad por parte del operario

Si se descubre la necesidad de reparar la unidad o se detecta que ésta resulta insegura de alguna manera o que contribuye a crear condiciones de inseguridad, se debe informar de inmediato a la autoridad designada por el usuario. Además, la unidad no deberá volver a utilizarse hasta que se la haya devuelto a un estado operativo seguro. Si, durante el funcionamiento, la unidad se vuelve insegura de alguna manera, se debe informar de inmediato a la autoridad designada por el usuario. Además, la unidad no deberá volver a utilizarse hasta que se la haya devuelto a un estado operativo seguro. No lleve a cabo reparaciones ni practique ajuste alguno a no ser que haya sido expresamente autorizado para ello.

TAREAS DE MANTENIMIENTO Y ACONDICIONAMIENTO

Si se descuida el mantenimiento o se practican en la unidad reparaciones, tareas de acondicionamiento o ajustes en los que no se respeten los criterios de diseño del fabricante, su manejo puede resultar peligroso. Por ello, se debe disponer de servicios de mantenimiento (dentro o fuera de las insta-

laciones), contar con personal cualificado y establecer unos modos de proceder detallados.

El mantenimiento y la inspección de la unidad deberán llevarse a cabo respetando las tareas que se indican a continuación:

- A se deben seguir unos esquemas de mantenimiento, lubricación e inspección conforme a su planificación; consulte las recomendaciones del fabricante.
- B el mantenimiento, las reparaciones, los ajustes y las inspecciones de la unidad sólo podrán ser llevados a cabo por personal cualificado y autorizado; además, dichas tareas se realizarán siempre de conformidad con las especificaciones del fabricante.

Evite las posibles fuentes de peligro de incendio y disponga siempre de extintores en la zona de trabajo. En la limpieza de las piezas, no use recipientes de combustible abiertos ni líquidos limpiadores inflamables.

NORMAS DE SEGURIDAD CONTRA INCENDIOS

Cuando las condiciones operativas de una unidad no sean seguras, ésta deberá ponerse fuera de servicio.

Prevención contra incendios: la unidad se debe mantener limpia y debe estar razonablemente libre de pelusas, restos de aceite y grasa. Para limpiar la unidad, se recomienda usar preferiblemente agentes incombustibles. No está permitido emplear líquidos inflamables [aquellos cuyo punto de inflamación esté en 100°F (37,8°C) o por encima]. Se deben adoptar precauciones adecuadas al tipo de agente o disolvente empleado en lo que a la toxicidad, la ventilación y el peligro de incendios respecta.

Visibilidad de la placa de características: las denominaciones de tipo y las marcas de tipo de la unidad indicadas en la placa de características no deben cubrirse con pintura que oscurezca la información identificativa allí contenida.



Antes de poner en marcha por primera vez el aparato, lea el presente manual de instrucciones y siga las instrucciones que figuran en el mismo. Conserve estas instrucciones para su uso posterior o para propietarios ulteriores.

- La parada de emergencia tiene efecto inmediato sobre todas las funciones del aparato.
- También se apagan la pantalla y el piloto de control de la batería.

Índice de contenidos

Instrucciones de seguridad	49
Función	50
Uso previsto	50
Protección del medio ambiente	50
Elementos de mando	51
Antes de la puesta en marcha	52
Puesta en marcha	55
Funcionamiento	55
Conservación y mantenimiento	60
Averías	63
Datos técnicos	66
Piezas de repuesto	66

Instrucciones de seguridad

Dispositivos de seguridad

La función de los dispositivos de seguridad es proteger al usuario y está prohibido ponerlos fuera de servicio y modificar o ignorar su funcionamiento.

Estribo de conexión

Para poner el accionamiento de los cepillos fuera de servicio de manera inmediata y con la debida precaución: suelte el estribo de conexión. En el caso de BR/BD...W... se apaga además de accionamiento de traslación.

Pulsador de parada de emergencia

Para la puesta fuera de servicio de todas las funciones: Pulsar la tecla de desconexión de emergencia

- Al pulsar la tecla de desconexión de emergencia se apaga el accionamiento auxiliar.

Atención:

Si se pulsa el interruptor de parada de emergencia durante la limpieza, se apagan inmediatamente todos los mecanismos. El aparato no puede frenar de forma activa.

Por esta razón, el aparato se puede desplazar hasta 50 cm (1.6 ft) hacia delante, después de soltar el estribo de conexión o tras pulsar el interruptor de parada de emergencia.

Puesta en marcha tras desconexión de emergencia:

La puesta en marcha tras el uso del interruptor de parada de emergencia se describe en el capítulo "Puesta en marcha".

Símbolos

En este manual de instrucciones se emplean los siguientes símbolos:

Peligro

Indica la existencia de un peligro inminente. El incumplimiento de la indicación puede acarrear la muerte o lesiones de suma gravedad.

Advertencia

Hace alusión a una situación potencialmente peligrosa. El incumplimiento de la indicación puede provocar lesiones leves o daños materiales.

Nota

Identifica consejos de manejo e información importante sobre el producto.

Función

El aparato sirve para efectuar la limpieza en húmedo o el pulido de pisos llanos. Se puede adaptar fácilmente a la tarea de limpieza que corresponda ajustando el programa de limpieza y el caudal de agua.

Una anchura de trabajo de 450/550 (21.6 in) mm y unos depósitos de agua limpia y de agua sucia con una capacidad de 40 l (10.5 gal) respectivamente permiten llevar a cabo una limpieza efectiva.

El aparato conduce automáticamente, el motor de tracción se alimenta con dos baterías.

Las baterías se puede cargar con el cargador en un enchufe de 120 V.

La batería y el cargador ya vienen incluidos en las variantes de modelos.

Nota

En función de la tarea de limpieza de que se desee realizar, es posible dotar al aparato de distintos accesorios.

Uso previsto

Utilice el aparato únicamente de conformidad con las indicaciones del presente manual de instrucciones.

- El aparato ha sido concebido exclusivamente para la limpieza de superficies duras resistentes a la humedad y al pulido. El margen de temperaturas de servicio está comprendido entre los +5°C y los +40°C (41°F y los 104°F).
- El aparato no es apto para la limpieza de pisos congelados (p. ej., en almacenes frigoríficos).
- Sólo está permitido dotar al aparato de accesorios y piezas de repuesto originales.
- El aparato ha sido concebido para la limpieza de pisos en interiores o superficies techadas. Para otros campos de aplicación, deberá considerarse el uso de cepillos alternativos.
- El presente aparato no es apto para la limpieza de las vías públicas de tránsito.

- Respete la capacidad máxima de carga por unidad de superficie del piso.

El aparato no es apto para el uso en entornos con peligro de explosión.

Protección del medio ambiente

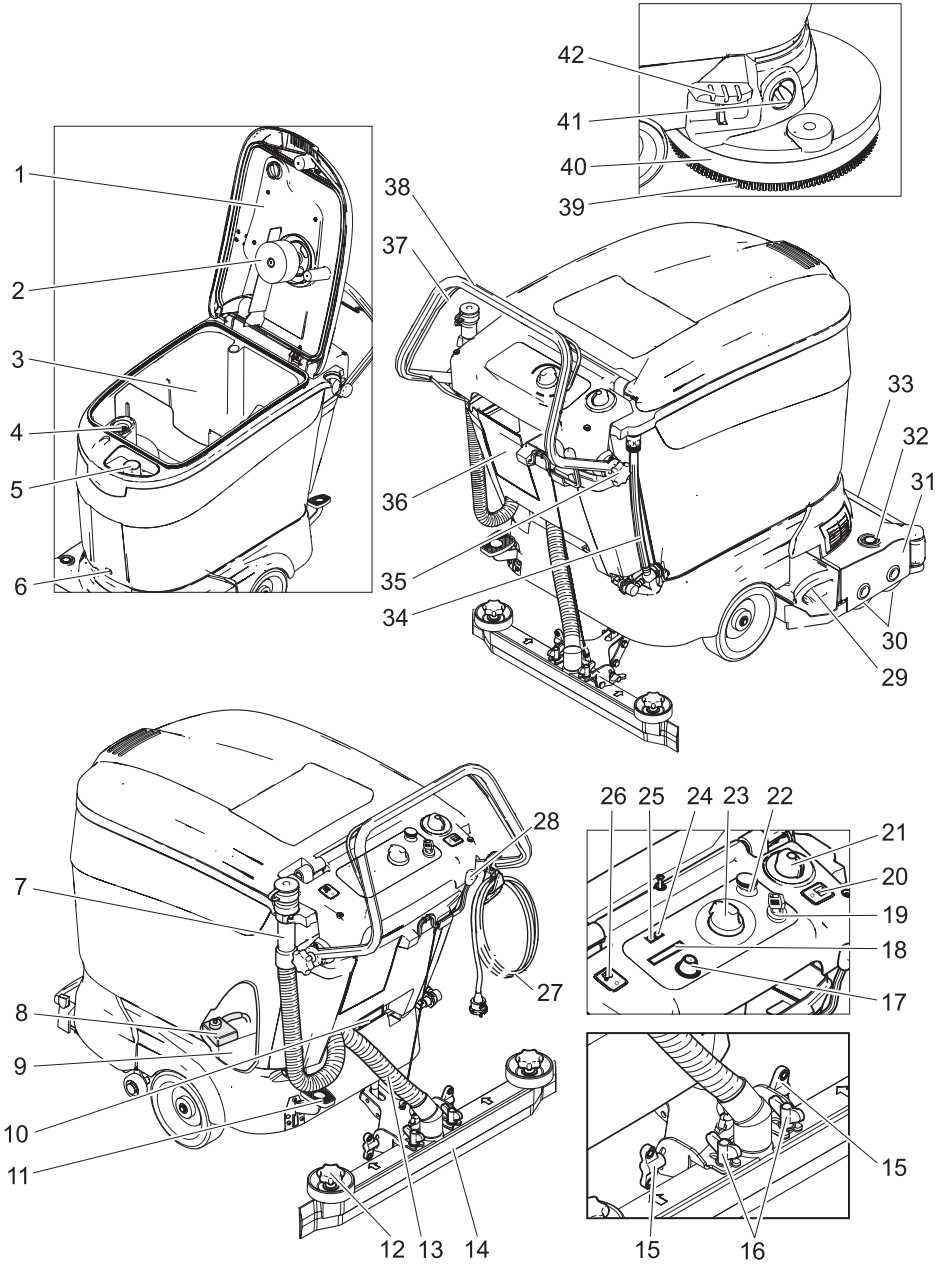


Los materiales de embalaje son reciclables. Po favor, no tire el embalaje a la basura doméstica; en vez de ello, entréguelo en los puntos oficiales de recogida para su reciclaje o recuperación.



Los aparatos viejos contienen materiales valiosos reciclables que deberían ser entregados para su aprovechamiento posterior. Evite el contacto de baterías, aceites y materias semejantes con el medioambiente. Por este motivo, entregue los aparatos usados en los puntos de recogida previstos para su reciclaje.

Elementos de mando



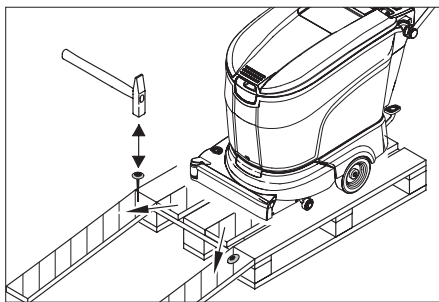
- 1 Tapa del depósito de agua sucia
- 2 flotador
- 3 depósito de agua sucia
- 4 Filtro de pelusas (aspiración)
- 5 Orificio de llenado del depósito de agua limpia
- 6 Tornillo fijación de depósito
- 7 Manguera de salida de agua sucia
- 8 Fusible principal F1
- 9 Batería *
- 10 Clavija de la batería
- 11 Pedal para desplegar el mecanismo
- 12 Mangos en estrella para cambiar los labios de aspiración
- 13 manguera de aspiración
- 14 Barra de aspiración *
- 15 Tuercas de mariposa para inclinar la barra de aspiración
- 16 Tuercas de mariposa para fijar la barra de aspiración
- 17 Botón de información
- 18 Pantalla
- 19 Interruptor de llave
- 20 Interruptor dosificación encendido/apagado **
- 21 Botón regulador del caudal de agua
- 22 Pulsador de parada de emergencia
- 23 Selector de programas
- 24 Indicación de sobrecarga del motor del cepillo e indicador de averías
- 25 Indicador de control de batería
- 26 Interruptor tracción activado/desactivado
- 27 Cable de conexión para el cargador
- 28 Palanca de bajada de la barra de aspiración
- 29 Depósito de basura (sólo Saber Compact 22 SP)
- 30 Cepillos cilíndricos (sólo Saber Compact 22 SP)
- 31 Cabezal limpiador
- 32 Tecla cepillos cilíndricos Saber Compact 22 SP)
- 33 Cubierta de la alimentación de agua
- 34 Indicador de altura de llenado y manguera de salida de agua limpia
- 35 Mango en estrella de la fijación del estribo de empuje
- 36 Alojamiento de detergente **
- 37 Estribo de conexión
- 38 estribo de empuje
- 39 Cepillo de disco (Saber Compact 22)
- 40 protector antisalpicaduras
- 41 Botón de velocidad de avance
- 42 Pedal cambio de cepillos (Saber Compact 22)

* no incluido en el volumen de suministro

Antes de la puesta en marcha

Descarga

- Afloje el mango en estrella de la fijación del estribo de empuje.
- Deslice el estribo de empuje hacia atrás y apriete los mangos en estrella.



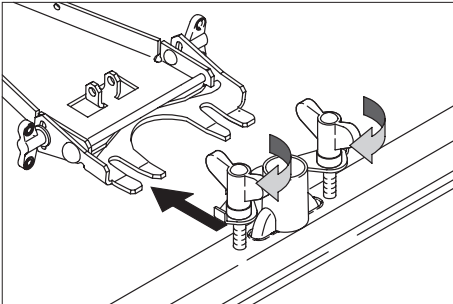
- Coloque las tablas largas laterales del embalaje como rampa en el palet.
- Fije la rampa al palet con clavos.
- Coloque las tablas cortas debajo de la rampa a modo de soporte.
- Retire los listones de madera de delante de las ruedas.
- Encajar hacia la derecha el pedal para sacar el mecanismo y soltar hacia arriba.
- Presionar ligeramente hacia abajo el estribo de empuje para que se puede extraer el tren de desplazamiento.
- Baje el aparato del palet por la rampa.

Montaje de los cepillos

Antes de la puesta en servicio, se tienen que montar los cepillos (véase "Trabajos de mantenimiento").

Montaje de la barra de aspiración

- Coloque la barra de aspiración en su soporte de modo que la chapa perfilada quede por encima del soporte. Apriete las tuercas de mariposa.







- Coloque la manguera de aspiración.

Baterías

Al manipular baterías, tenga siempre en cuenta las siguientes advertencias:

	<i>Tenga en cuenta las indicaciones presentes en la batería, en las instrucciones de uso y en el manual del vehículo.</i>
	<i>Use protección para los ojos</i>
	<i>Mantenga a los niños alejados del ácido y las baterías</i>
	<i>Peligro de explosiones</i>
	<i>Prohibido hacer fuego, producir chispas, aplicar una llama directa y fumar</i>
	<i>Peligro de causticación</i>

	<i>Primeros auxilios</i>
	<i>Nota de advertencia</i>
	<i>Eliminación de desechos</i>
	<i>No tire la batería al cubo de la basura</i>

⚠ Peligro

Peligro de explosiones. No coloque herramientas u otros objetos similares sobre la batería, es decir, sobre los terminales y el conector de elementos.

Peligro de lesiones. No deje nunca que el plomo entre en contacto con las heridas. Luego de trabajar con las baterías, límpiense siempre las manos.

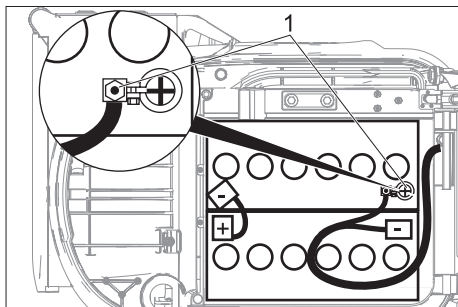
Colocar la batería y cerrar

- Girar el interruptor selector de programa a "OFF", girar el interruptor de llave a "0".
- Afloje el tornillo la fijación de depósito y bascular éste hacia arriba.

⚠ Advertencia

Peligro de daños para las baterías y el depósito. Es imprescindible insertar las baterías en la dirección indicada más abajo. Conectar el cable de conexión y el cable de alimentación con las baterías tal y como se indica abajo. Respetar la polarización. Fijar el seguro de la polaridad de la batería en la dirección indicada. Colocar el cable tal y como se indica.

- inserte las baterías alineadas respecto al cabezal limpiador en la cubeta y atornille el ángulo de fijación detrás de las baterías. Evitar que se enganchen tubos o cables.
- Lubricar los polos de la batería con lubricante para polos
- Conectar los polos con el cable de conexión que viene incluido.



1 Seguro de la polaridad de la batería

- Enganchar el cable de conexión suministrado al polo de batería libre (+) y (-).
- Desplace el depósito de agua hacia delante.
- Atornillar y fijar el tornillo de fijación de depósito.

⚠ Advertencia

Cargar la batería antes de poner el aparato en funcionamiento.

Carga de batería

⚠ Peligro

Peligro de explosiones. Sólo está permitido cargar baterías húmedas con el capó abierto.

Nota

El aparato dispone de una protección contra descarga total, es decir, si se alcanza la medida mínima permitida de capacidad, se apagan los motores de los cepillos y la turbina. En el pupitre de manejo se ilumina el indicador del estado de la batería en rojo. Está la tracción todavía activa:

- Conducir el aparato directamente a la estación de carga, evitar subidas.

Nota

Si reacciona la protección de descarga total, se debe cargar totalmente la batería (hasta que el indicador de control de batería se ilumina en verde). Después de esto se quita el bloqueo de las funciones con el sistema electrónico.

⚠ Peligro

Peligro de lesiones por descarga eléctrica. Tenga en cuenta la línea eléctrica y la protección por fusible, véase "Cargador".

¡Utilice el cargador únicamente en cuartos secos dotados de suficiente ventilación!

Nota

El tiempo de carga dura aproximadamente 10-15 horas.

Los cargadores recomendados (adaptados a las baterías que se usen) se regulan electrónicamente y finalizan el proceso de carga automáticamente.

Todas las funciones del aparato se interrumpen automáticamente durante el proceso de carga.

Proceso de carga

- Enchufar el cargador en la clavija.

Nota

El cargador está regulado electrónicamente y finaliza el proceso de carga automáticamente. Todas las funciones del aparato se interrumpen automáticamente durante el proceso de carga.

El indicador de control de batería muestra el proceso de carga cuando está la clavija enchufada:

Refresh y carga principal	parpadea rápido en amarillo
Carga de mantenimiento (la batería está llena)	se ilumina en verde

Nota

Si se ilumina el indicador de avería durante el proceso de carga, solucionar la avería según las indicaciones del capítulo "Averías".

Pulsador de parada de emergencia durante el proceso de carga

Tecla de desconexión de emergencia pulsada:

- se interrumpe el proceso de carga
- la pantalla indica "Interruptor de parada de emergencia" o "Emergency button"
- el indicador de averías parpadea

Interruptor de parada de emergencia desbloqueado (con el cable de red enchufado):

- se inicia el proceso de carga

- el piloto de control de la batería parpadea en amarillo

Baterías que no requieren mantenimiento (baterías húmedas)

- ➔ Una hora antes de que se acabe el proceso de carga, añadir agua destilada, tener en cuenta el nivel de ácido correcto. La batería está marcada de la forma correspondiente.

⚠ Peligro

¡Peligro de causticación!

- Rellenar con agua cuando la batería está descargada puede provocar una salida de ácido.
- Cuando trate con ácido de baterías, lleve siempre unas gafas de seguridad y respetar las normas, para evitar lesiones y daños a la ropa.
- Lavar inmediatamente con mucha agua las posibles salpicaduras de ácido sobre la piel o la ropa.

⚠ Advertencia

¡Peligro de daños en la instalación!

- Utilizar únicamente agua destilada o desalada (VDE 0510) para rellenar las baterías.
- No utilizar más sustancias (los llamados agentes de mejora), de lo contrario desaparecerá la garantía.

⚠ Advertencia

En el caso de sustituir baterías en aparatos de modelos utilizar sólo aquellas que no requieran mantenimiento.

Baterías recomendadas

Ref.	Descripción
6.654-093.0	75 Ah, no requiere mantenimiento, son necesarias 2 unidades
6.654-097.0	80 Ah, no requiere mantenimiento, son necesarias 2 unidades

Puesta en marcha

- ➔ Si se pulsa el interruptor de parada de emergencia, girar el interruptor de llave a la posición 0 y girar para desbloquear el interruptor de parada de emergencia.
- ➔ Girar el interruptor de llave a la posición 1.

Funcionamiento

⚠ Advertencia

Peligro de daños en la instalación. Antes de la circulación marcha atrás, levante la barra de aspiración.

Nota

Para poner el accionamiento de los cepillos fuera de servicio de manera inmediata, afloje el estribo de conexión.

Adición de combustibles

⚠ Advertencia

Peligro de daños en la instalación. Utilice únicamente el detergente recomendado. En caso de usar otros detergentes, el propietario-usuario asume unos mayores riesgos en lo que a la seguridad durante el funcionamiento y al peligro de sufrir accidentes se refiere. Utilice únicamente detergentes que no contengan disolventes, ácidos clorhídricos ni ácidos hidrofúoricos.

Nota

No utilice detergentes altamente espumosos. Respete las indicaciones de dosificación.

Un dispositivo dosificador añadirá detergente al agua fresca el tramo al cabezal de limpieza.

Nota

Con el dispositivo dosificador se añade un 1% de detergente. En el caso del BR/BD...W... se puede ajustar una dosis entre 0 y 3%. Para una dosis mayor se puede echar todo el detergente en el depósito de agua limpia.

El dispositivo dosificador está diseñado para botellas de detergente de 2,5 litros (0.66 gal).

⚠ Advertencia

Riesgo de atasco provocado por detergente seco. El caudalímetro del dispositivo dosificador puede pegarse por detergente seco, lo que dificulta el funcionamiento del dispositivo dosificador. Enjuagar el depósito de agua limpia y el aparato con agua limpia. Para enjuagar abrir totalmente el botón de regulación del caudal de agua y ajustar el programa de limpieza para aplicar agua.

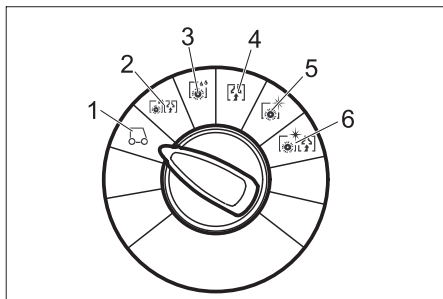
- ➔ Abra la tapa del depósito de agua sucia.
- ➔ Añada agua hasta alcanzar la marca MAX del indicador de altura de llenado. Temperatura máxima del líquido 60 °C (140 °F).
- ➔ Cierre la tapa del depósito de agua sucia.
- ➔ Desenrosca la tapa de la botella de detergente.
- ➔ Enrosca la tapa suministrada junto con el dispositivo dosificador en la botella de detergente.
- ➔ Extraer hacia afuera el alojamiento de detergente
- ➔ Colocar la botella de detergente con la tapa hacia abajo en el alojamiento de detergente y apretar bien.
- ➔ Empujar hacia dentro el alojamiento de detergente.

Conducción hasta el lugar de empleo

Con el tren de desplazamiento sacado hacia delante, se puede conducir el aparato hasta el lugar de uso sin que los cepillos rocen el suelo.

- ➔ Levante la barra de aspiración.
- ➔ Encajar hacia la derecha el pedal para sacar el mecanismo y soltar hacia arriba.
- ➔ Presionar ligeramente hacia abajo el estribo de empuje para que se puede extraer el tren de desplazamiento.
- ➔ Empuje el aparato hasta el lugar de uso por el estribo de empuje.

Programas de limpieza versión



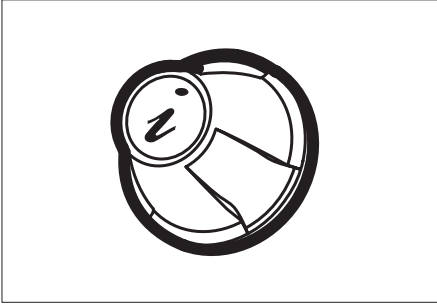
- 1 Conducir hasta el lugar de empleo.
- 2 Aspiración-fregado Limpiar en húmedo del suelo y aspirar el agua sucia.
- 3 Fregado en húmedo Limpiar en húmedo del suelo y dejar actuar al detergente.
- 4 Aspiración Aspirar la suciedad.
- 5 Pulido Pulir el suelo sin emplear líquidos.
- 6 Aspiración-fregado sin agua (aspiración de pulido) Pulir el suelo sin emplear líquidos y aspirar el polvo de pulido (accesorio)

Indicador de control de batería

El indicador de control de batería muestra el nivel de carga de las baterías cuando el cargador está enchufado:

40-100%	se ilumina en verde
20-40%	se ilumina en amarillo
0-20%	parpadea lentamente en rojo
vacío	se ilumina en rojo

Botón de información



Con el botón de información se seleccionan los puntos del menú y se ajustan las configuraciones.

- Giro derecha/izquierda avanza por los menús de adelante/atrás.
- Si se pulsa se confirma la configuración seleccionada.

Configuraciones

En el menú de usuario se aplican los ajustes de los diversos programas de limpieza. Según el programa de limpieza, se pueden configurar distintos parámetros. Los ajustes se aplican con el botón de información.

Menú de usuario

- El pulsador de parada de emergencia, se desbloquea girándolo.
- Coloque el interruptor de llave en la posición "0".
- Ajustar el interruptor de tracción a „1“ o el selector de programa en el programa de limpieza deseado (1...6).
La pantalla muestra el nivel de carga de la batería.
- Seleccionar el parámetro deseado girando el botón de información. Aparece el valor ajustado actualmente.
- Pulsar el botón de información, parpadea el valor/las barras.
- Ajustar de nuevo el parámetro girando en botón de información entre "min" y "max".

- Confirmar la configuración pulsando el botón de información o esperar hasta que se acepte el valor automáticamente tras 10 segundos.

Nota

Si el parámetro seleccionado no se modifica en 10 segundos, la pantalla cambiará a la visualización del estado de la batería.

Los parámetros de limpieza se puede ajustar y sirven para todos los programas. Todos los ajustes se guardan también cuando el dispositivo no recibe electricidad.

Reestablecer los parámetros

- Ajustar los programas de limpieza frota-do en húmedo, aspiración, pulido, aspiración-fregado o aspiración-pulido con el selector de programas.
- Seleccione el punto "Configuración de fábrica" del menú de usuario girando el botón de información
- Pulse el botón de información. Se reestablece la configuración de fábrica de todos los parámetros para cada programa de limpieza.

Parámetros ajustables	min:pa-so:max	Nota
Dosificación de detergente (DOSE)	0,5% : 0,5% : 3%	Concentración nominal de detergente
Sólo Saber Compact 22 SP: FACT *) (nº de rotaciones de los cepillos)	–	Power-, Whisper-, Fine Clean
Cleanspeed	0 : 1 : 5	Velocidad de marcha

*) La potencia de limpieza se puede ajustar en 3 niveles:

- Fine Clean: Menor número de rotaciones de cepillos para eliminar velos gris sobre gres fino.

- Whisper Clean: número de rotaciones medio para limpieza de mantenimiento con un nivel acústico reducido.
- Power Clean: número de rotaciones de cepillo mayor para pulir, cristalizar y barrer.

Valores de fábrica

En la tabla de abajo se indica la configuración de fábrica de los parámetros de los programas de limpieza. Si no se han introducido valores, el parámetro correspondiente no puede ajustarse en el programa de limpieza indicado.

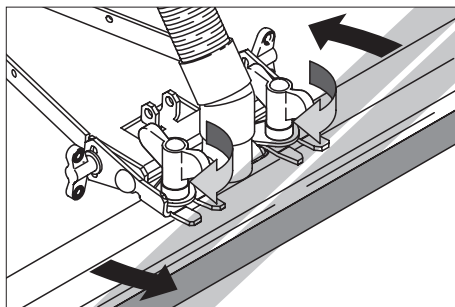
<div style="border: 1px solid black; padding: 2px; display: inline-block;"> min ■■■■□□max </div>	Dosificación de detergente	Cleanspeed	FACT (Número de rotaciones)
Aspiración-fregado	1	3	p
Fregado en húmedo			
Aspiración en seco	-	-	-
Pulir			p
Aspirar-pulir			
Conducción			-
*) sólo Saber Compact 22 SP: P=Power Clean			

Ajuste de la barra de aspiración

Posición en diagonal

Para mejorar el resultado de la aspiración en pavimentos alicatados, se puede girar la barra de aspiración hasta una posición en diagonal de 5°:

- ➔ Suelte las tuercas de mariposa.
- ➔ Gire la barra de aspiración.

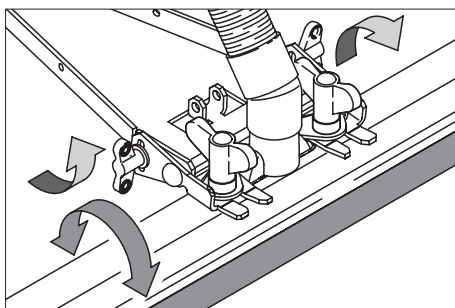


- ➔ Apriete las tuercas de mariposa.

Inclinación

Si el resultado de la aspiración no resulta satisfactorio, se puede modificar la inclinación de la barra de aspiración recta.

- ➔ Suelte las tuercas de mariposa.
- ➔ Incline la barra de aspiración.



- ➔ Apriete las tuercas de mariposa.

Traslación

El aparato está equipado con un accionamiento auxiliar con marcha libre. Debido a la marcha libre, el aparato se puede deslizar manualmente.

Selector de programas en posición avance:

- ➔ El pulsador de parada de emergencia, se desbloquea girándolo.
- ➔ Girar el interruptor de llave de posición 0 a posición 1.
- ➔ Conexión del interruptor tracción.

El piloto de control de la pantalla y de la batería están activos.

- ➔ Pulsar el estribo de conexión.

El aparato acelera y avanza a continuación con la velocidad de transporte (4 km/h / 2.5 mph))

→ Suelte el estribo de conexión.

El aparato frena.

Selector de programas en el programa de limpieza (posición 2...6)

- El pulsador de parada de emergencia, se desbloquea girándolo.
- Girar el interruptor de llave de posición 0 a posición 1.

El piloto de control de la pantalla y de la batería están activos.

En los programas con aspiración se enciende la turbina de absorción.

→ Pulsar el estribo de conexión.

En los programas con función de cepillo se enciende el cabezal de limpieza.

→ Encender el accionamiento auxiliar con el interruptor de tracción.

El aparato acelerará y después avanza a la velocidad de limpieza ajustada en el menú del operario (Cleanspeed 0,8...4 km/h / 0.5...2.5 mph)

→ Soltar el estribo de conexión o apagar el interruptor de tracción.

El aparato frena.

Limpieza

- Introducir el tren de desplazamiento. Pisar el pedal hacia abajo y encajar hacia la izquierda.
- Gire el selector de programas hasta el programa de limpieza deseado.
- Ajustar el caudal de agua con el botón regulador de acuerdo con la suciedad y el tipo del pavimento del suelo.
- Ajustar el interruptor de dosificación encendido/apagado a "CHEM".
- Baje la barra de aspiración.
- Active los cepillos tirando del estribo de conexión.
- Ajustar el interruptor de tracción 0/1 a encendido. Al tirar del estribo de conexión se enciende también el accionamiento de escobillas del motor de tracción. El aparato se desplaza con la

velocidad ajustada en el menú de usuario en el punto "Cleanspeed".

⚠ Advertencia

Peligro de daños para el revestimiento del suelo. No utilice el aparato en esa zona.

Detención y apagado

- Cierre el botón regulador del caudal de agua.
- Conduzca el aparato entre 1-2 m (3-6 ft) hacia delante para aspirar el agua restante.
- Gire el selector de programas hasta la posición "OFF" o "Desplazar". Girar el interruptor de llave a "0".

Nota

Si se apaga el interruptor de llave sin girar el selector de programa a la posición „OFF“, aparecerá en los programas con aspiración (2, 4, 6) la indicación „Retraso en aspiración“ o "Vacuum time lag!". La turbina de aspiración se apaga con un retraso de 10 segundos, para vaciar la manguera.

- Levante la barra de aspiración.
- Encajar hacia la derecha el pedal para sacar el mecanismo y soltar hacia arriba.
- Presionar ligeramente hacia abajo el estribo de empuje para que se puede extraer el tren de desplazamiento.
- Desenchufe el cable de red.

⚠ Advertencia

Peligro de deformación del/de los cepillo/s. Al apagar el aparato, descargue los cepillos haciendo avanzar el tren de desplazamiento

Vaciado del depósito de agua sucia

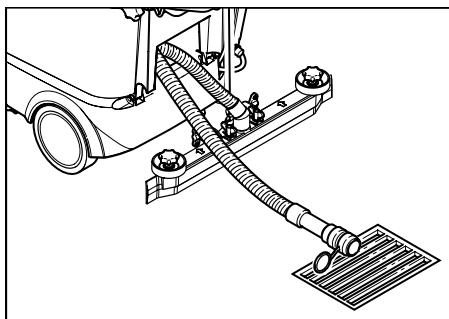
Nota

Cuando el depósito de agua sucia está lleno, el flotador cierra el canal de admisión, la turbina de aspiración sigue funcionando. La aspiración se interrumpe. Vacíe el depósito de agua sucia.

⚠ Advertencia

Respete la normativa local vigente en materia de tratamiento de aguas residuales.

- Girar el selector de programas a "OFF" o "Desplazar" y esperar hasta que el aparato se haya apagado.
- Retire del soporte la manguera de salida de agua sucia y bájela mediante un mecanismo recogedor adecuado.



- Purgue el agua a través del orificio del dosificador situado en la manguera de salida.
- A continuación, aclare el depósito de agua sucia con agua limpia.

Vaciado del depósito de agua limpia

- Suelte el acoplamiento del extremo superior del indicador de altura de llenado.
- Con ayuda de un mecanismo recogedor adecuado, baje la manguera del indicador de altura de llenado y deje que salga el líquido.
- Vuelva a encajar el acoplamiento en el aparato.

Transporte

- Para el transporte sobre un vehículo, fije el aparato para impedir que resbale.

Para reducir el espacio requerido, se puede desplazar hacia delante el estribo de empuje:

- Afloje el mango en estrella de la fijación del estribo de empuje.
- Desplace el estribo de empuje hacia delante.

Conservación y mantenimiento

⚠ Peligro

Peligro de lesiones. Antes de efectuar cualquier trabajo en el aparato, gire el selector de programas hasta la posición "OFF" y desenchufe la clavija de red. En el caso de BR...W Bp girar también el interruptor de llave a „0“ y pulsar el interruptor de parada de emergencia.

⚠ Advertencia

Si se sale agua se puede dañar el aparato. Purgar el agua sucia y el resto de agua limpia antes de trabajar en el aparato.

Plan de mantenimiento

Después del trabajo

⚠ Advertencia

Peligro de daños en la instalación. No salpique al aparato con agua ni utilice detergentes agresivos.

- Purgue el agua sucia.
- Compruebe el filtro de pelusas; en caso necesario, límpiolo.
- Limpie el aparato por fuera con un trapo húmedo ligeramente empapado en una solución jabonosa suave.
- Limpie los labios de aspiración y los labios de secado; compruebe si presentan desgaste y, en caso necesario, cámbielos.
- Compruebe si los cepillos presentan desgaste y, en caso necesario, cámbielos.
- Si es necesario recargar la batería.

Mensualmente

- En caso de aparato parado temporalmente: llevar a cabo una recarga de compensación de la batería.
- Comprobar si los polos de la batería están oxidados, si es necesario cepillar y lubricar con lubricante para polos. Cerciorarse del asiento firme y correcto del cable de conexión.

- En el caso de baterías que requieran mantenimiento, comprobar la estanqueidad al ácido de los elementos.
- Compruebe el estado de las juntas situadas entre el depósito de agua sucia y la tapa y, en caso necesario, cámbielas.
- Limpiar el canal de los cepillos (sólo Saber Compact 22 SP).
- Extraer la cubierta de la alimentación de agua del cabezal de limpieza y limpiar el canal (sólo Saber Compact 22 SP).
- Limpiar la conexión para la botella de detergente con un paño húmedo.

Sólo para BR/BD...W...: Después de 500 horas de servicio, o anualmente

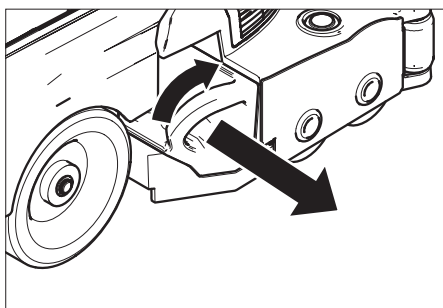
- Cambiar el tubo de la bomba de la bomba dosificadora.

Anualmente

- Encargue al servicio técnico la revisión anual obligatoria.

Trabajos de mantenimiento

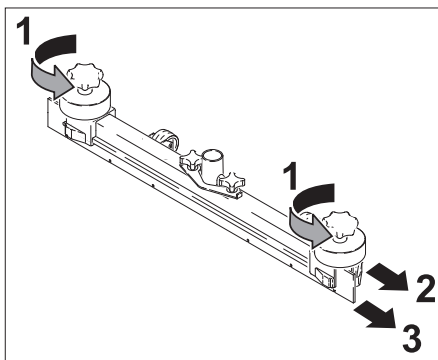
Vaciar el depósito de basura (sólo Saber Compact 22 SP)



- Girar ligeramente el depósito de basura en el sentido de las agujas del reloj y extraer.
- Vacíe el depósito de basura.
- Colocar de nuevo el depósito de basura.

Cambiar o girar los labios de aspiración

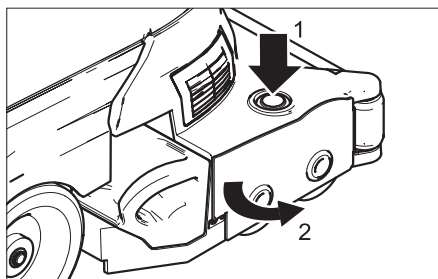
- Retire la barra de aspiración.
- Desatornille los mangos en estrella.



- Retire las piezas de plástico.
- Retire los labios de aspiración.
- Girar los labios de aspiración o introducir unos nuevos.
- Coloque las piezas de plástico.
- Atornille y apriete los mangos en estrella.

Recambio del cepillo cilíndrico

- Vacíe el depósito de agua sucia.
- Encajar hacia la derecha el pedal para sacar el mecanismo y soltar hacia arriba.
- Presionar ligeramente hacia abajo el estribo de empuje para que se puede extraer el tren de desplazamiento.

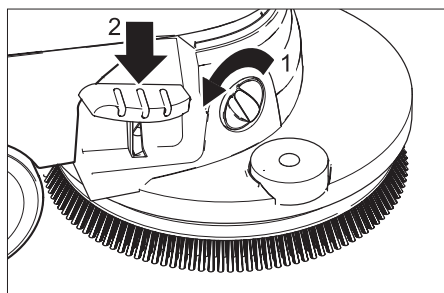


- Pulsar la tecla de cambio de cepillos y girar hacia la derecha la tapa de la cabeza de cepillo.

- Extraer cepillos cilíndricos.
- Coloque los cepillos cilíndricos nuevos y encájelos.
- Cerrar la tapa, colocar los cepillos y encajar en la tapa.
- Introducir el tren de desplazamiento. Pisar el pedal hacia abajo y encajar hacia la izquierda.

Cambiar el cepillo de disco

- Vacíe el depósito de agua sucia.
- Encajar hacia la derecha el pedal para sacar el mecanismo y soltar hacia arriba.
- Presionar ligeramente hacia abajo el estribo de empuje para que se puede extraer el tren de desplazamiento.

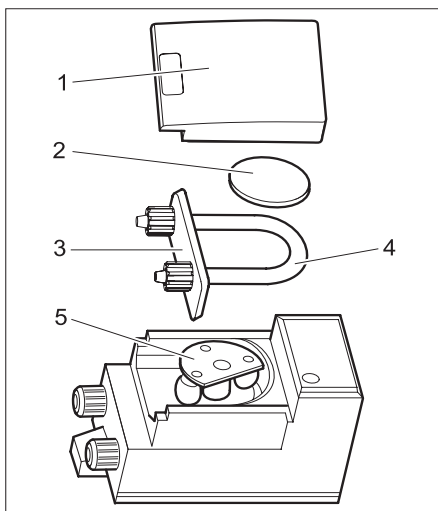


- Gire el botón de ajuste de la velocidad de avance hacia –.
- Pisar hacia abajo el pedal de cambio de cepillos más allá del punto de resistencia.
- Desplazar el aparato hacia atrás, hasta que esté libre la escobilla de disco.
- Retirar la escobilla de disco y colocar una nueva escobilla de disco delante del aparato.
- Desplazar el aparato hacia delante sobre la escobilla de disco.
- Pisar el pedal para desplegar el mecanismo y encajar hacia la izquierda. La escobilla se encajará en el accionamiento de escobillas.
- Ajuste la velocidad de avance.

Cambiar la manguera de la bomba

- Vaciar el depósito de agua sucia y agua limpia.
- Extraer el bote de detergente de la entrada de detergente.
- Afloje el tornillo la fijación de depósito y bascular éste hacia arriba.

La bomba dosificadora se encuentra detrás de las baterías.



- 1 Tapa de la carcasa
 - 2 Cubierta
 - 3 Portamangueras
 - 4 Manguera de la bomba
 - 5 Rotor
- Extraer la tapa de la carcasa.
 - Extraer la cubierta.
 - Extraer el soporte de la manguera con la manguera de la bomba (para extraerla con más facilidad, girar el rotor con la mano).
 - Sustituir la manguera de la bomba.
 - Poner de nuevo en funcionamiento la bomba dosificadora y el aparato en el orden inverso.

Contrato de mantenimiento

Para garantizar el funcionamiento seguro del aparato, es posible firmar contratos de mantenimiento con el departamento comercial correspondiente de Kärcher.

Protección antiheladas

En caso de peligro de heladas:

- Vacíe el depósito de agua limpia y el depósito de agua sucia.
- Guarde el aparato en un lugar protegido de las heladas.

Averías

Peligro

Peligro de lesiones. Antes de efectuar cualquier trabajo en el aparato, gire el selector de programas hasta la posición "OFF" y desenchufe la clavija de red. Girar también el interruptor de llave a „0“ y pulsar el interruptor de parada de emergencia.


- Purgue el agua sucia y el agua limpia sobrante y elimínela.

Cuando las averías no se puedan solucionar con ayuda de la tabla que aparece a continuación, acuda al servicio técnico.

Nota

Si se indican averías, ajustar el selector de programas en la posición OFF o Desplazar y apagar el interruptor de llave (si se dispone de él). Esperar 15 segundos. Volver a conectar de nuevo el aparato. Si se muestra de nuevo el fallo, solucionar el problema de acuerdo con la siguiente tabla, o llamar al servicio de atención al cliente.

Averías con indicación

Indicación de sobrecarga 	Display	Avería	Modo de subsanarla
Luz continua	Pcb. Störung=4 Pcb. fault=4	sistema electrónico defectuoso	Acuda al servicio técnico
1 parpadeo	Bürstm.Störung=1 Brushmot.fault=1	Cortocircuito motor de cepillos	Acuda al servicio técnico
	Saugtb.Störung=1 Vac.mot. fault=1	Cortocircuito motor aspiración	
	Ventil.Störung=1 Valve fault=1	Cortocircuito válvula magnética	
	Fahrmt.Störung=1 Drivemot.fault=1	Cortocircuito motor de tracción	
2 parpadeos	Bürstm.Störung=2 Brushmot.fault=2	Rotura de cable motor de cepillos	Acuda al servicio técnico
	Error absor.=2 Vac.mot. fault=2	Rotura de cable motor de aspiración	
	Ventli.Störung=2 Valve fault=2	Rotura de cable válvula magnética	
	Fahrmt.Störung=2 Drivemot.fault=2	Rotura cable del motor de tracción	
3 parpadeos	Heiss, abkühlen! Hot, let cool!	Temperatura sistema electrónico alta	Dejar enfriar el sistema electrónico al menos 15 minutos.
	Saugtb.Störung=3 Vac.mot. fault=3	Sobrecarga motor de absorción	Gire el selector de programas hasta la posición "OFF" o "Desplazar". Después seleccione de nuevo el programa de limpieza. Si sigue produciéndose el fallo, acuda al servicio técnico.
	Bürstenüberlast! Brush Overload!	Sobrecarga motor de cepillos	
	Fahrmt.Störung=3 Drivemot.fault=3	Sobrecarga motor de tracción	
4 parpadeos	Prüfe Battspanng Check Battery!	Tensión de la batería no esté entre 17 y 33V	Acuda al servicio técnico
		Tensión de batería demasiado alta a la hora de cargar	Finalizar la recarga. Se puede utilizar el aparato, avisar de todas formas al servicio de atención al cliente
	Batteriefehler! Battery fault!	Error de batería	Desbloquear la tecla de desconexión de emergencia. .
	¡Interruptor de parada de emergencia! Emergency button	Tecla de desconexión de emergencia pulsada durante la recarga de la batería	

Averías

Avería	Modo de subsanarla
No se puede poner en marcha el aparato	<p>Comprobar las baterías, si es necesario recargar. Cargar completamente la batería descargada totalmente, para que se puede quitar el bloqueo de funcionamiento con el sistema electrónico.</p> <p>Controle el fusible en el polo positivo de la batería (100 A); ante un fusible defectuoso, póngase en contacto con el servicio técnico.</p>
Caudal de agua insuficiente	<p>Compruebe el nivel de agua limpia y, de ser necesario, llene el depósito.</p> <p>Comprobar si los tubos están atascados, si es necesario limpiar.</p> <p>Saber Compact 22 SP: Extraer la cubierta de la alimentación de agua del cabezal de aspiración y limpiar el canal de agua.</p>
Potencia de aspiración insuficiente	<p>Limpié las juntas situadas entre el depósito de agua sucia y la tapa; compruebe su estanqueidad y, en caso necesario, cámbielas</p> <p>Limpiar el filtro de pelusas.</p> <p>Limpié los labios de aspiración de la barra de aspiración y, en caso necesario, girar o cambiar</p> <p>Compruebe si la manguera y la barra de aspiración está obstruida y, de ser necesario, desatásquela</p> <p>Compruebe si el tubo de aspiración está hermética y, en caso necesario, cámbielo.</p> <p>Compruebe si está cerrada la tapa de la manguera de salida de agua sucia.</p> <p>Compruebe el ajuste de la barra de aspiración.</p> <p>Comprobar si la turbina está en funcionamiento y genera depresión, si es necesario avisar al servicio de atención al cliente.</p>
Resultados de limpieza insuficientes	<p>Introducir el tren de desplazamiento.</p> <p>Compruebe si los cepillos presentan desgaste y, en caso necesario, cámbielos.</p> <p>Comprobar la dosificación de detergente (opcional).</p>
Dosificación de detergente se reduce	<p>Cambiar el tubo de la bomba de la bomba dosificadora.</p>
La botella de detergente se deforma al sacar detergente. Hay un error en la entrada de aire para compensar la presión.	<p>Extraer la entrada de detergente y la botella de detergente. Desenroscar la tapa de la botella de detergente. Quitar la válvula (caperuza de goma) y limpiar con agua caliente. Coloque nuevamente la válvula.</p>
Los cepillos no giran	<p>Compruebe si hay cuerpos extraños bloqueando los cepillos y, de ser así, elimínelos.</p>
Manguera de salida de agua sucia atascada	<p>Abir el dispositivo dosificador de la manguera de salida. Sacar la manguera de absorción de la barra de absorción y cerrar con la mano. Coloque el selector de programas en posición de absorber. El atasco se absorbe de la manguera de salida al depósito de agua sucia.</p>

Datos técnicos

		Saber Compact 22 SP	Saber Compact 22
Potencia			
Tensión nominal	V	24	
Consumo medio de potencia	W	750	
Potencia del motor de aspiración	W	600	
Potencia del motor de barrido	W	600	
Potencia de motor de tracción	W	130	
Aspirar			
Potencia de aspiración, caudal de aire	l/s (gpm)	18 (285)	
Potencia de aspiración, depresión	kPa (psi)	105 (15.2)	
Cepillos de limpieza			
Anchura de trabajo	mm (in)	550 (21.6)	
Diámetro cepillos	mm (in)	96 (3.8)	550 (21.6)
Número de rotaciones de los cepillos (Power Clean)	1/min	1400	160
Medidas y pesos			
Potencia teórica por metro cuadrado	m ² /h (ft ² /h)	2200 (23680)	
Volumen de los depósitos de agua limpia y agua sucia	l (gal)	40 (10.5)	
Volumen depósito de basura (sólo limpieza de suelos)	l (gal)	approx. 2 (0.5)	-
Longitud (sin estribo de empuje)	mm (in)	1100 (43.3)	
Anchura (sin barra de aspiración)	mm (in)	650 (25.6)	
Altura (sin estribo de empuje)	mm (in)	900 (35.4)	
Peso (con/sin batería, sin contenido del depósito)	kg (lbs)	170/90 (375/198)	
Emisión sonora			
Nivel de presión acústica (EN 60704-1)	dB(A)	70	67
Vibraciones del aparato			
Valor total de la vibración (ISO 5349)	m/s ²	1,0	

Piezas de repuesto

- Sólo deben emplearse accesorios y piezas de repuesto originales o autorizados por el fabricante. Los accesorios y piezas de repuesto originales garantizan el funcionamiento seguro y sin averías del aparato.
- Podrá encontrar una selección de las piezas de repuesto usadas con más frecuencia al final de las instrucciones de uso.

Trabajos de mantenimiento

Cada 200 horas de servicio

- 1 Comprobar si los polos de las baterías presentan oxidación.
- 2 Comprobar la sujeción de las conexiones de las baterías.
- 3 Comprobar el nivel de ácido de la batería (sólo en las baterías que apenas requieren mantenimiento).
- 4 Comprobar si los cables conductores de corriente y los contactos están dañados u oxidados.
- 5 Comprobar el funcionamiento y la facilidad de movimiento del estribo de conexión.
- 6 Medir la tensión de las celdas de las baterías estando en marcha la turbina de aspiración (DU £ 0,15 voltios).
- 7 Comprobar el sentido de giro de los cepillos; comprobar si presentan desgaste y su ajuste (superficie de barrido de los cepillos).
- 8 Comprobar el tensado de las correas de accionamiento de los cepillos y si están desgastadas.
- 9 Limpiar la rejilla de entrada de aire del cabezal de limpieza.
- 10 Comprobar el funcionamiento de la válvula dosificadora de agua y de la electroválvula y comprobar la distribución del agua.
- 11 Comprobar la estanqueidad del sistema de agua, especialmente la conexión rosca de los depósitos de agua limpia y agua sucia.
- 12 Comprobar el funcionamiento de la turbina de aspiración/barra de aspiración.
- 13 Comprobar si los labios de aspiración están desgastados y comprobar su ajuste.
- 14 Comprobar el funcionamiento del flotador en el depósito de agua sucia.

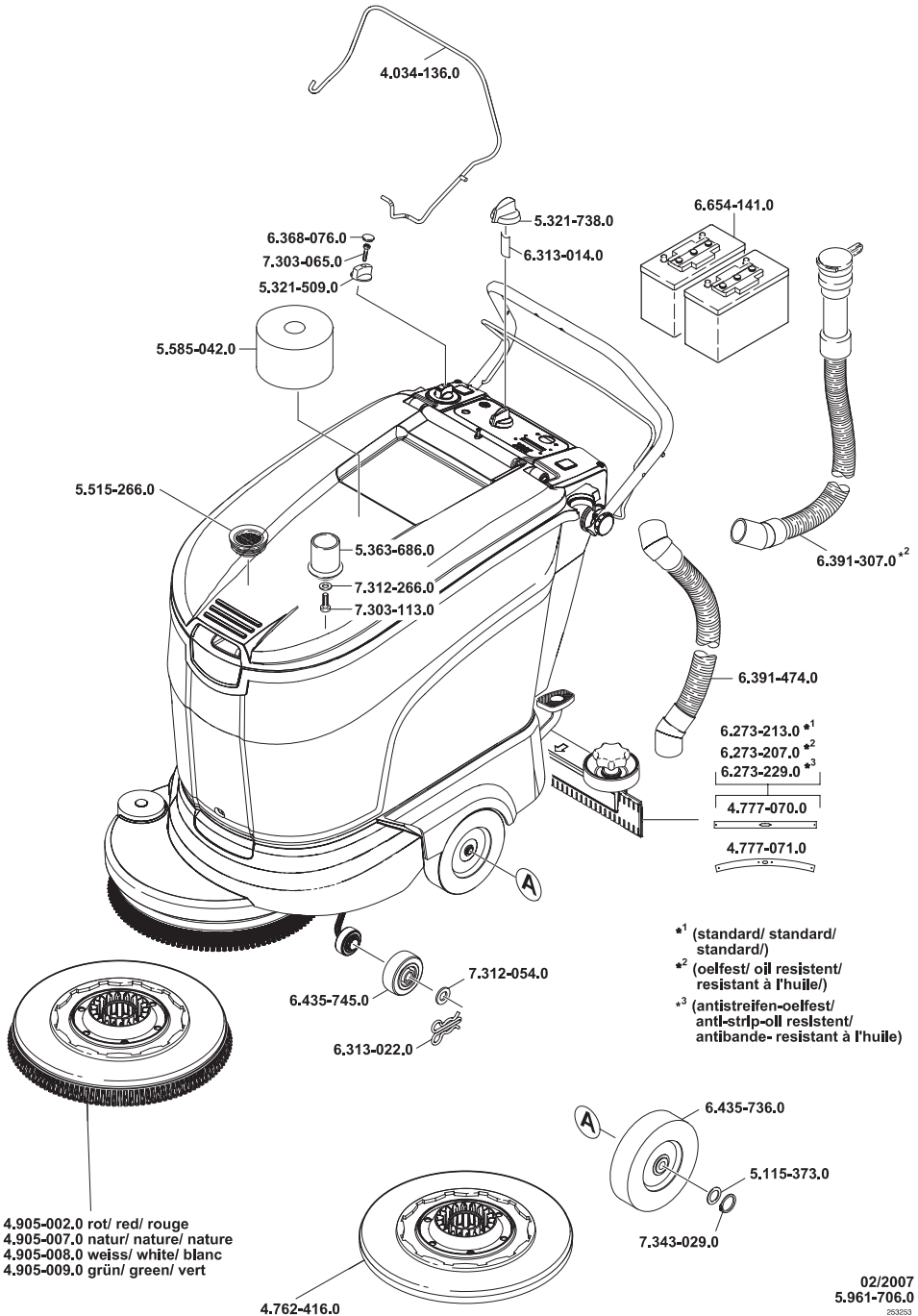
- 15 Comprobar la estanqueidad de la manguera de aspiración.
- 16 Comprobar la estanqueidad de la manguera de salida de agua sucia.
- 17 Comprobar la estanqueidad del indicador de altura de llenado/la manguera de salida de agua limpia con una boquilla acodada en el extremo inferior.
- 18 Limpiar la tira de distribución de agua (sólo Saber Compact 22 SP).
- 19 Controlar y limpiar el recipiente de barrido previo (sólo Saber Compact 22 SP)
- 20 Comprobar la junta de la tapa del depósito.
- 21 Limpiar el filtro de pelusas.
- 22 Comprobar el desgaste de las ruedas.
- 23 Comprobar el funcionamiento de la mecánica para bajar y subir el tren de desplazamiento.
- 24 Comprobar todas las funciones con un uso de prueba.

Cada 400 horas de servicio

- 1 Comprobar si las escobillas de carbón en el accionamiento de dichas escobillas, el motor de tracción y la turbina de aspiración en el caso de estar desgastadas y si es necesario cambiarlas.
- 2 Cambiar el tubo de la bomba de la bomba dosificadora.

Cada 800 horas de servicio

- 1 Cambiar la correa dentada de la cabeza del cepillo.



4.034-136.0

6.368-076.0
7.303-065.0
5.321-509.0

5.585-042.0

5.515-266.0

5.363-686.0
7.312-266.0
7.303-113.0

5.321-738.0
6.313-014.0

6.654-141.0

6.391-307.0^{*2}

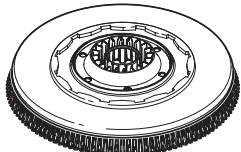
6.391-474.0

6.273-213.0^{*1}
6.273-207.0^{*2}
6.273-229.0^{*3}

4.777-070.0

4.777-071.0

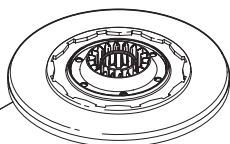
- ^{*1} (standard/ standard/
standard/)
- ^{*2} (oelfest/ oil resistant/
resistant à l'huile/)
- ^{*3} (antistreifen-oelfest/
anti-strip-oil resistant/
antibande- resistant à l'huile)



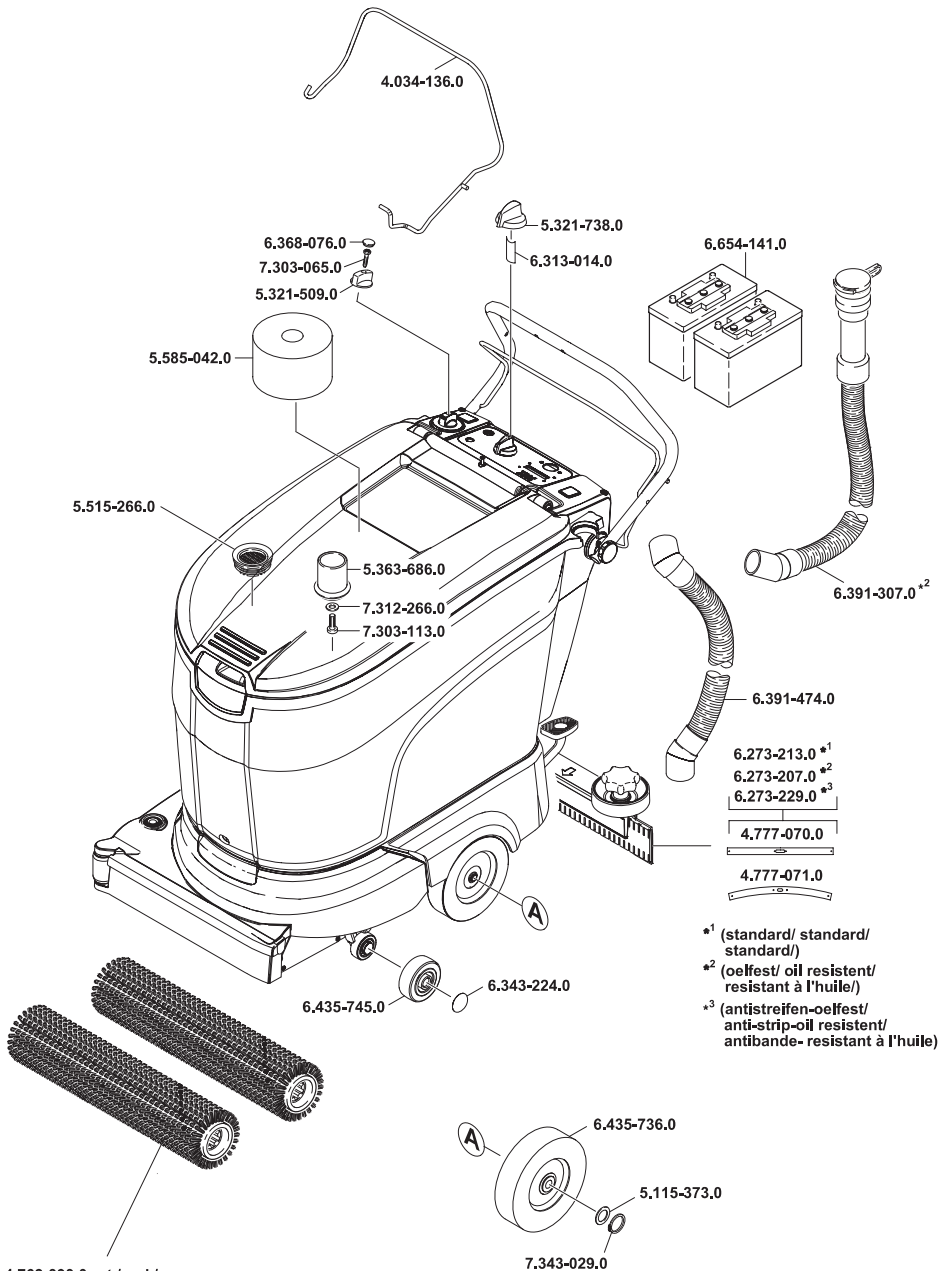
4.905-002.0 rot/ red/ rouge
4.905-007.0 natur/ nature/ nature
4.905-008.0 weiss/ white/ blanc
4.905-009.0 grün/ green/ vert

6.435-745.0
7.312-054.0
6.313-022.0

4.762-416.0



6.435-736.0
5.115-373.0
7.343-029.0



- *¹ (standard/ standard/
standard/)
- *² (oelfest/ oil resistant/
résistant à l'huile/)
- *³ (antistreifen-oelfest/
anti-strip-oil resistant/
antibande- résistant à l'huile)

4.762-393.0 rot / red / rouge
4.762-409.0 weiss/ white/ blanc
4.762-410.0 orange/ orange/ orange
4.762-411.0 grün/ green/ vert
4.762-412.0 schwarz/ black/ noir

WINDSOR INDUSTRIES

North American New Machine Warranty

Effective on all products shipped AFTER January 24, 2007

Limited Warranty

Windsor Industries, Inc. warrants new machines against defects in material and workmanship under normal use and service to the original purchaser. Any statutory implied warranties, including any warranty of merchantability or fitness for a particular purpose, are expressly limited to the duration of this written warranty. Windsor will not be liable for any other damages, including but not limited to indirect or special consequential damages arising out of or in connection with the furnishing, performance, use or inability to use the machine. This remedy shall be the exclusive remedy of the buyer. The warranty period is subject to the conditions stated below.

10 / 3 Warranty: 10 Years Polyethylene (PE) Housings, 3 Years Parts, and Service Labor

Subject to conditions outlined below, Windsor Industries warrants rotationally molded

PE housings and parts on all of its machines to be free from defects in material and workmanship, under normal use and service for ten (10) years to the original owner.

Under this warranty we guarantee the performance of non-polyethylene parts and components to be free from defects for up to three (3) years or up to 2,500 hours of operation, whichever comes first, to the original end user. Parts replaced or repaired under this warranty are guaranteed for the remainder of the original warranty period. (See table below)

Service labor charges are covered for up to three (3) years or up to 2,500 hours of operation, whichever comes first, from the date of purchase through authorized Windsor service provider. No travel coverage is extended for cord-electric models. See table below for each general product model warranty coverage.

Product	PE Housing & Parts	Non- PE Parts	Service Labor	Travel
Rider / Stand up Scrubbers	10 years	3 years or 2000 hours	3 years or 2000 hours	6 Months
Rider Sweepers	10 years	3 years	3 years	6 Months
Walk Behind Scrubbers	10 years	3 years or 2500 hours	3 years or 2500 hours	6 Months
Walk Behind Sweepers	10 years	3 years	3 years	6 Months
Battery Burnishers	10 years	3 years	3 years	6 Months
Extractors / Compass	10 years	3 years	3 years	-
Polishers / Elec. Burnishers / GH	10 years	3 years	3 years	-
Wide Areas Vacuums	10 years	3 years	3 years	-
VacPak Vacuums	10 years	1 year	1 year	-

Product	PE Housing & Parts	Non- PE Parts	Service Labor	Travel
Tracer/Flex Sweepers/ Scrubbers	10 years	3 years	3 months	90 days
Air Movers / Dri-matic / TITAN™ /Rombus/Priza	1 year	1 year	1 year	-
Canister Vacuum	1 year	1 year	1 year	-
Wet/Dry Vacuum	1 year	1 year	1 year	-
Broom	1 year	1 year	1 year	-
Steamer	1 year	1 year	1 year	-
Propane Burnishers / Strippers	-	2 years	1 year	-

VERSAMATIC® / FLEXAMATIC®	Brush motor, Vacuum motor, Belts, Swivel Neck – 3 years	All other parts/Labor – 1 year
SENSOR®	Vacuum motor, Belts – 2 years	All other parts/Labor – 1 year

Product exceptions and Exclusions:

- Extractor brush motors, **ALL** pump motors, **ALL** PC boards and electronics, **ALL** Vacuum motors (other than VERSAMATIC®, SENSOR® and FLEXAMATIC®), **ALL** pumps, and diaphragms/Tank bags carry a one (1) year parts and service labor warranty.
- The Eagle-Robin® engines have three (3) year manufacturer’s warranty. The Honda® and Kawasaki® engines have two (2) year manufacturer’s warranty.
NOTE: The engine warranty is administered through the engine manufacturer and must be repaired at an authorized service center.

res, and propane tanks will be warranted for manufacturing defects for 90-days from the purchase date. The warranty commences on the purchase date by the original end user from an authorized Windsor agent, subject to proof of purchase. The Machine Registration Card must be completed and returned immediately at the time of purchase. If proof of purchase cannot be identified, the warranty start date is 90 days after the date of sale to an authorized Windsor distributor. Parts replaced or repaired under warranty are guaranteed for the remainder of the original warranty period.

Normal wear items and accessories including, but not limited to, belts, brushes, FLEXAMATIC® foot pedal, capacitors, carbon brushes, casters, clutches, cords, filters, finishes, gaskets, hoses, light bulbs, rectifiers, switches, squeegees, bearings, pulleys, relays, actuating cables, wheels, ti-

90 Day Warranty Extension Available

Upon receipt of the Machine Registration Card, Windsor will extend by 90 days, from the date of purchase, all items included under the one-year provision. This applies only to one-year items and does not include 90-day wear items.

This Warranty Shall Not Apply To:

- 1 Any product that has been subject to abuse, misuse, neglect or unauthorized alteration (including the use of incompatible or corrosive chemicals or overloading of capacity).
- 2 Products that have experienced shipping or freight damage.
- 3 Repairs necessary to correct any failure due to improper pre-delivery service and inspection by the selling dealer.
- 4 Excessive time for cleaning units in preparation for repair.
- 5 Any repairs resulting from poor initial service work or improper diagnosis.
- 6 Tune-up parts such as plugs, plug wires and condensers.
- 7 Any design alterations performed by an organization not authorized or specified by Windsor.
- 8 Battery and charger warranties are handled directly with the manufacturer (Trojan® batteries and Lester® chargers).
- 9 High-pressure washing
- 10 Electrical components exposed to moisture.

If difficulty develops during the warranty period, contact the authorized Windsor agent from whom the product was purchased. Windsor Industries, Inc. may elect to require the return of components to validate a claim. Any defective part to be returned must be shipped freight prepaid to an authorized Windsor Distributor/Service Center or to the Windsor factory.

Use Of Parts Not Approved By Windsor Industries, Inc. Will Void All Warranties

This warranty is valid only for all products Shipped/Sold **AFTER** January 24, 2007. A product sold before that date shall be covered by the limited warranty in effect at the date of sale to the original purchaser.

Windsor Industries reserves the right to change its warranty policy without notice – 98864-Rev7 01/24/07

Windsor Industries, Inc. - a Castle Rock Industries company - 1351 W. Stanford Ave. / (303) 762-1800 / 800-444-7654 / FAX (303) 865-2775