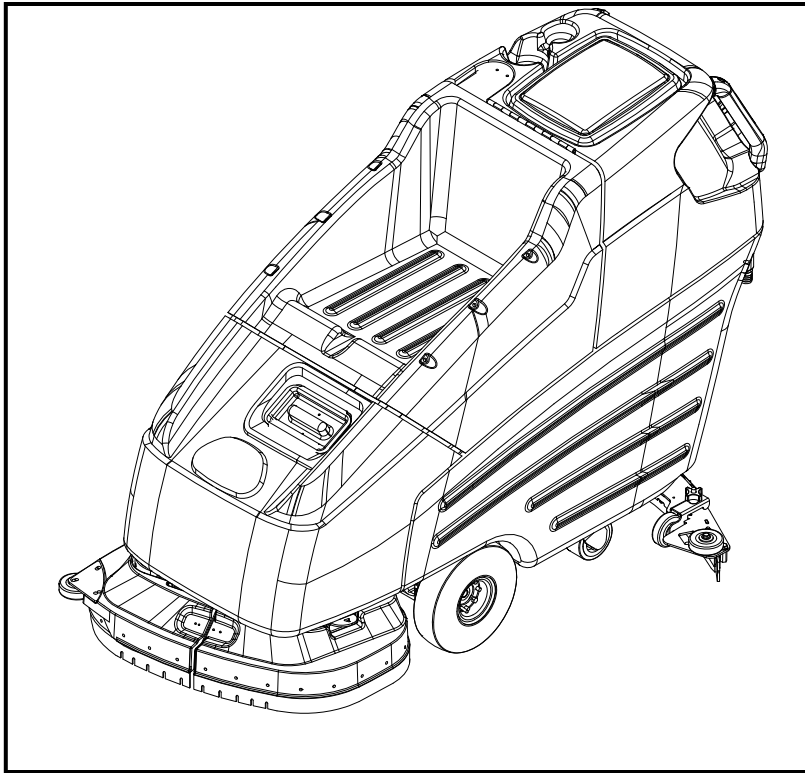


# **SABER™ CUTTER**



## **WALK BEHIND SCRUBBER**



Operating Instructions (ENG)  
Instrucciones de funcionamiento (SPA)

**MODELS: SCX264 SCXC264 BSCSCX264**  
10052380 10052430 10052860

**SCX324 SCXC324**  
10052390 10052440

**QUEST®** ... for Continuous Improvement.  
Windsor's Quality Management System is Certified ISO 9001.



*Read these instructions before using the machine  
Lea las instrucciones antes de utilizar la máquina*

## MACHINE DATA LOG/OVERVIEW

|                         |       |
|-------------------------|-------|
| MODEL                   | _____ |
| DATE OF PURCHASE        | _____ |
| SERIAL NUMBER           | _____ |
| SALES REPRESENTATIVE #  | _____ |
| DEALER NAME             | _____ |
| OPERATIONS GUIDE NUMBER | _____ |
| PUBLISHED               | _____ |

### YOUR DEALER

Name: \_\_\_\_\_

Address: \_\_\_\_\_

Phone Number: \_\_\_\_\_

### OVERVIEW

The Saber Cutter is a battery powered, self-propelled, hard floor scrubber intended for commercial use. The appliance applies a cleaning solution onto a hard floor, scrubs the floor with brushes or pads, and then vacuums the soiled water back into the recovery tank.

## Warranty Registration

Thank you for purchasing a Windsor product. Warranty registration is quick and easy. Your registration will allow us to serve you better over the lifetime of the product.

To register your product go to:

[www.windsorind.com/WarrantyRegistration.aspx](http://www.windsorind.com/WarrantyRegistration.aspx)

For customer assistance:

1-800-444-7654



# TABLE OF CONTENTS

|                                |   |
|--------------------------------|---|
| Machine Data Log/Overview..... | 2 |
| Table of Contents.....         | 3 |

## HOW TO USE THIS MANUAL

|                             |     |
|-----------------------------|-----|
| How to use this Manual..... | 1-1 |
|-----------------------------|-----|

## SAFETY

|                                     |     |
|-------------------------------------|-----|
| Important Safety Instructions ..... | 2-1 |
| Hazard Intensity Level. ....        | 2-2 |
| Safety Label Location. ....         | 2-3 |

## OPERATIONS

|                                 |      |
|---------------------------------|------|
| Technical Specifications. ....  | 3-1  |
| How the Machine Works. ....     | 3-3  |
| Components.....                 | 3-4  |
| Controls.....                   | 3-5  |
| Machine Operation.....          | 3-9  |
| Pre-Run Machine Inspection..... | 3-9  |
| Starting Machine. ....          | 3-9  |
| Emergency Stop Procedures ..... | 3-9  |
| Filling the Solution Tank.....  | 3-9  |
| Scrubbing.....                  | 3-10 |
| Emptying & Cleaning Tanks.....  | 3-11 |

## MAINTENANCE

|   |     |
|---|-----|
| Service Schedule.....                       | 4-1 |
| Batteries.....                              | 4-3 |
| Battery Maintenance. ....                   | 4-3 |
| Checking Battery Specific Gravity.....      | 4-4 |
| Charging the Batteries. ....                | 4-4 |
| Changing Batteries. ....                    | 4-5 |
| Battery Connections.....                    | 4-5 |
| Squeegee Blades.....                        | 4-6 |
| Adjusting Squeegee.....                     | 4-6 |
| Replace or Rotate Rear Squeegee Blade. ..   | 4-6 |
| Replace or Rotate Front Squeegee Blade. ..  | 4-6 |
| Adjusting Squeegee Pitch.....               | 4-7 |
| Adjusting Rear Deflection. ....             | 4-7 |
| Replacing Aqua-Mizer Squeegee Blades .....  | 4-7 |
| Scrub Brushes. ....                         | 4-8 |
| Types. ....                                 | 4-8 |
| Replacing or Installing Scrub Brushes ..... | 4-8 |
| Float Shut-Off.....                         | 4-8 |
| Solution Strainer .....                     | 4-9 |
| Brush Motor Replacement .....               | 4-9 |

|  |      |
|--|------|
| Traction Motor Brush Replacement.. ..... | 4-10 |
| Circuit Breaker .....                    | 4-10 |
| Brush Shrouds & Brush Skirts .....       | 4-10 |
| Vacuum Motors.....                       | 4-11 |
| Actuator Scrub Deck.....                 | 4-12 |
| Greasing Axles .....                     | 4-13 |
| Machine Troubleshooting .....            | 4-14 |

## GROUP PARTS LIST

|  |      |
|--|------|
| Control Handle.....                        | 5-1  |
| Cover (Front) & Tank Mount.....            | 5-3  |
| Cover (Top) & Tank Mount.....              | 5-5  |
| Decal.....                                 | 5-7  |
| Electrical Panel.....                      | 5-9  |
| Lift Handle.....                           | 5-11 |
| Lift Handle Linkage.....                   | 5-13 |
| Recovery Tank.....                         | 5-15 |
| Scrub Brush/Pad Driver.....                | 5-17 |
| Scrub Deck Aqua-Mizer-26in Scrubhead ...   | 5-19 |
| Scrub Deck Aqua-Mizer-32in Scrubhead ...   | 5-21 |
| Scrub Deck Motors .....                    | 5-23 |
| Scrub Deck Skirt-26in Scrubhead.....       | 5-25 |
| Scrub Deck Skirt-32in Scrubhead.....       | 5-27 |
| Scrub Deck Lift Linkage-26in Scrub Deck .. | 5-29 |
| Scrub Deck Lift Linkage-32in Scrub Deck .. | 5-31 |
| Scrub Deck Lift .....                      | 5-33 |
| Solution.....                              | 5-37 |
| Squeegee-26in Scrubhead.....               | 5-41 |
| Squeegee-32in Scrubhead.....               | 5-43 |
| Squeegee Lift Linkage (Lower).....         | 5-45 |
| Vacuum.....                                | 5-47 |
| Wheels & Frame .....                       | 5-49 |
| Wiring-Battery.....                        | 5-51 |
| Wiring-Control Panel.....                  | 5-53 |
| Wiring-Main Harness .....                  | 5-55 |
| Wiring-Schematic-SCX264, SCX324.....       | 5-57 |
| Wiring-Schematic-SCXC264, SCXC324 ...      | 5-58 |
| Brake-Option.....                          | 5-59 |
| Emergency Stop-Option .....                | 5-61 |
| Accessory Pump-Option .....                | 5-63 |
| Battery Charger- SCXC264, SCXC324 .....    | 5-65 |
| Suggested Spare Parts.....                 | 5-67 |
| EC Declaration of Conformity .....         | 5-68 |
| Warranty .....                             | 5-70 |

# HOW TO USE THIS MANUAL

This manual contains the following sections:

- HOW TO USE THIS MANUAL
- SAFETY
- OPERATIONS
- MAINTENANCE
- PARTS LIST

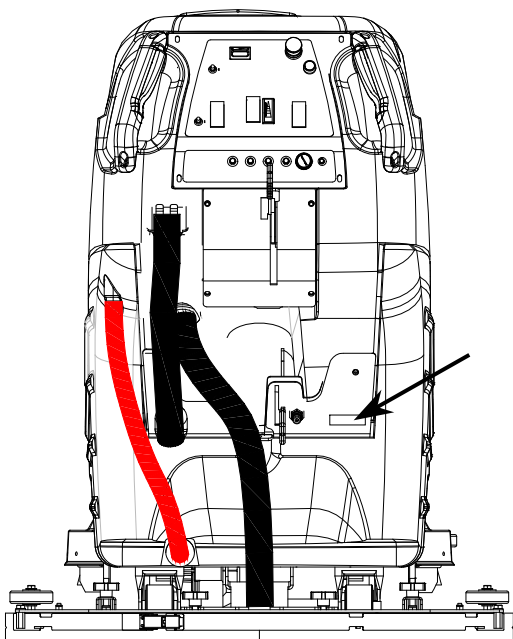
The HOW TO USE THIS MANUAL section will tell you how to find important information for ordering correct repair parts.

Parts may be ordered from authorized Windsor dealers. When placing an order for parts, the machine model and machine serial number are important. Refer to the MACHINE DATA box which is filled out during the installation of your machine. The MACHINE DATA box is located on the inside of the front cover of this manual.

|                               |
|-------------------------------|
| MODEL _____                   |
| DATE OF PURCHASE _____        |
| SERIAL NUMBER _____           |
| SALES REPRESENTATIVE # _____  |
| DEALER NAME _____             |
| OPERATIONS GUIDE NUMBER _____ |
| PUBLISHED _____               |

Copyright 2002 Windsor Industries, Printed in USA

The model and serial number of your machine is on the back panel of the machine.



The SAFETY section contains important information regarding hazard or unsafe practices of the machine. Levels of hazards are identified that could result in product or personal injury, or severe injury resulting in death.

The OPERATIONS section is to familiarize the operator with the operation and function of the machine.

The MAINTENANCE section contains preventive maintenance to keep the machine and its components in good working condition. They are listed in this general order:

- Batteries
- Scrub Brushes
- Adjusting Squeegee
- Scrub Deck Skirt
- Squeegee Blade/Brush Head Options
- Service Schedule

The PARTS LIST section contains assembled parts illustrations and corresponding parts list. The parts lists include a number of columns of information:

- **REF** – column refers to the reference number on the parts illustration.
- **PART NO.** – column lists the part number for the part.
- **PRV NO.** – reference number.
- **QTY** – column lists the quantity of the part used in that area of the machine.
- **DESCRIPTION** – column is a brief description of the part.
- **SERIAL NO. FROM** – column indicates the first machine the part number is applicable to. When the machine design has changed, this column will indicate serial number of applicable machine. The main illustration shows the most current design of the machine. The boxed illustrations show older designs. If column has an asterisk (\*), call manufacturer for a serial number.
- **NOTES** – column for information not noted by the other columns.

*NOTE: If a service or option kit is installed on your machine, be sure to keep the KIT INSTRUCTIONS which came with the kit. It contains replacement parts numbers needed for ordering future parts.*

# IMPORTANT SAFETY INSTRUCTIONS

When using an battery powered appliance, basic precaution must always be followed, including the following:

READ ALL INSTRUCTIONS BEFORE USING THIS MACHINE.



To reduce the risk of fire, electric shock, or injury:

**Use only** indoors. Do not use outdoors or expose to rain.

**Use only** as described in this manual. Use only manufacturer's recommended components and attachments.

If the machine is **not working properly**, has been dropped, damaged, left outdoors, or dropped into water, return it to an authorized service center.

**Do not** operate the machine with any openings blocked. Keep openings free of debris that may reduce airflow.

This machine **is not** suitable for picking up hazardous dust.

**Machine can cause a fire** when operating near flammable vapors or materials. Do not operate this machine near flammable fluids, dust or vapors.

**This machine is suitable for commercial use, for example in hotels, schools, hospitals, factories, shops and offices for more than normal housekeeping purposes.**

Maintenance and repairs **must be done** by qualified personnel.

If foam or liquid comes out of machine, **switch off immediately**.

**Disconnect** battery before cleaning or servicing.

Before the machine is discarded, the batteries **must be removed** and properly disposed of.

Make sure all warning and caution labels **are legible and properly attached** to the machine.

**During operation**, attention shall be paid to other persons, especially children.

**Before use** all covers and doors shall be put in the positions specified in the instructions.

**When leaving unattended**, secure against unintentional movement.

**The machine shall only** be operated by instructed and authorized persons.

**When leaving unattended**, switch off or lock the main power switch to prevent unauthorized use.

**Only chemicals recommended** by the manufacturer shall be used.

**This appliance has been designed** for use with the brushes specified by the manufacturer. The fitting of other brushes may affect its safety.

**Do not** use on surfaces having a gradient exceeding 2% unless the optional parking brake is installed on the machine.

## SAVE THESE INSTRUCTIONS

## **HAZARD INTENSITY LEVEL**

The following symbols are used throughout this guide as indicated in their descriptions:

### **HAZARD INTENSITY LEVEL**

There are three levels of hazard intensity identified by signal words -**WARNING** and **CAUTION** and **FOR SAFETY**. The level of hazard intensity is determined by the following definitions:

#### **⚠ WARNING**

**WARNING** - Hazards or unsafe practices which COULD result in severe personal injury or death.

#### **⚠ CAUTION**

**CAUTION** - Hazards or unsafe practices which could result in minor personal injury or product or property damage.

#### ***FOR SAFETY: To identify actions which must be followed for safe operation of equipment.***

Report machine damage or faulty operation immediately. Do not use the machine if it is not in proper operating condition. Following is information that signals some potentially dangerous conditions to the operator or the equipment. Read this information carefully. Know when these conditions can exist. Locate all safety devices on the machine. Please take the necessary steps to train the machine operating personnel.

#### ***FOR SAFETY:***

**DO NOT OPERATE MACHINE:**

Unless Trained and Authorized.

Unless Operation Guide is Read and understood.

In Flammable or Explosive areas.

In areas with possible falling objects.

#### ***WHEN SERVICING MACHINE:***

**Avoid moving parts. Do not wear loose clothing; jackets, shirts, or sleeves when working on the machine. Use Windsor approved replacement parts.**

#### **⚠ WARNING**

**Batteries emit hydrogen gas. Explosion or fire can result. Keep sparks and open flame away. Keep top cover in raised position when charging. Keep sparks and flames away from the batteries. Do not smoke around batteries.**

#### **⚠ WARNING**

**Disconnect batteries before working on machine. Only qualified personnel should work inside machine. Always wear eye protection and protective clothing when working on or near batteries. Avoid skin contact with the acid contained in the batteries.**

#### **⚠ WARNING**

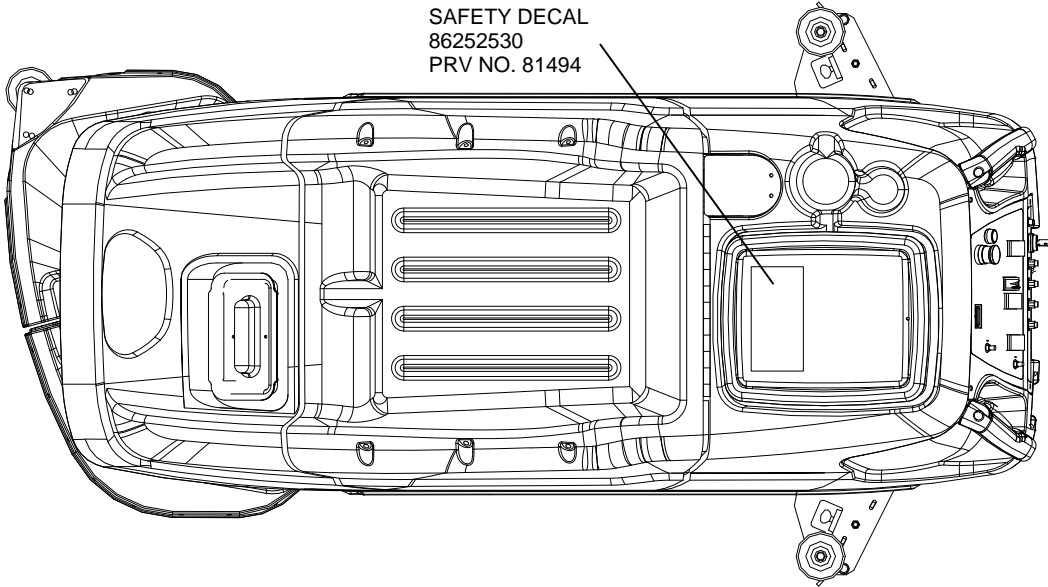
**Never allow metal to lie across battery tops.**

# SAFETY LABEL LOCATION

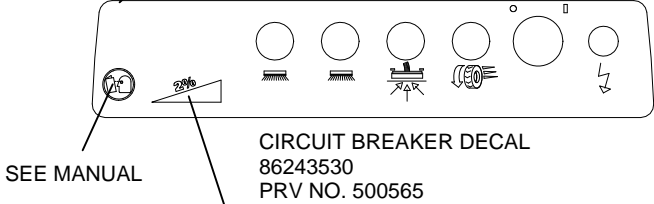
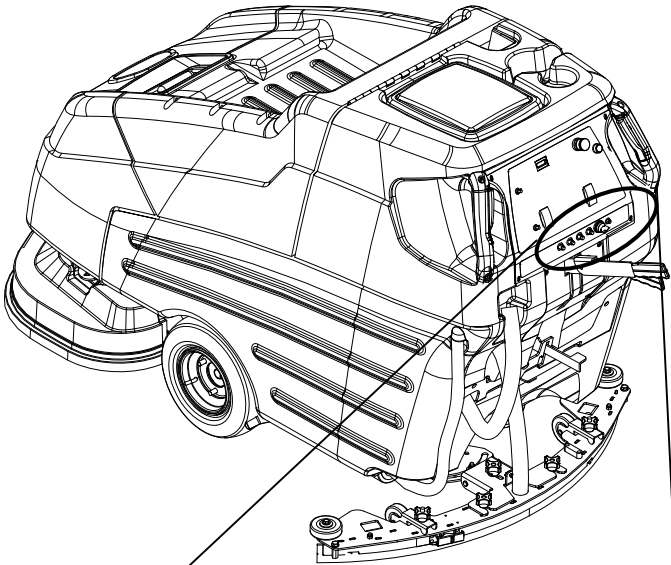
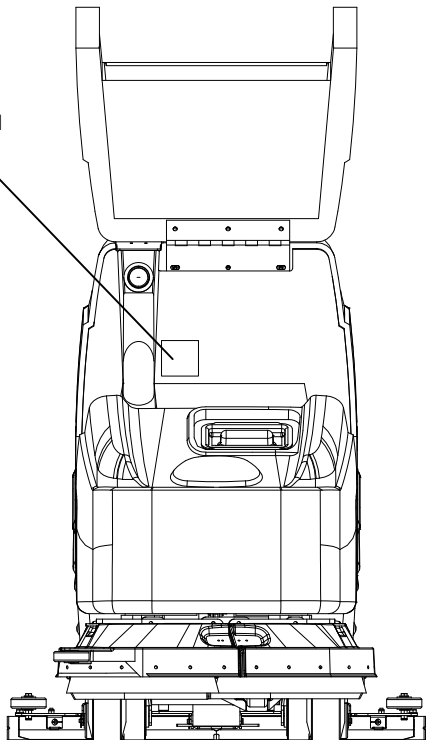
*NOTE: These drawings indicate the location of safety labels on the machine. If at any time the labels become illegible, promptly replace them.*



SAFETY DECAL  
86252530  
PRV NO. 81494



BATTERY CAUTION  
86252520  
PRV NO. 80885



CIRCUIT BREAKER DECAL  
86243530  
PRV NO. 500565

2% GRADE WARNING

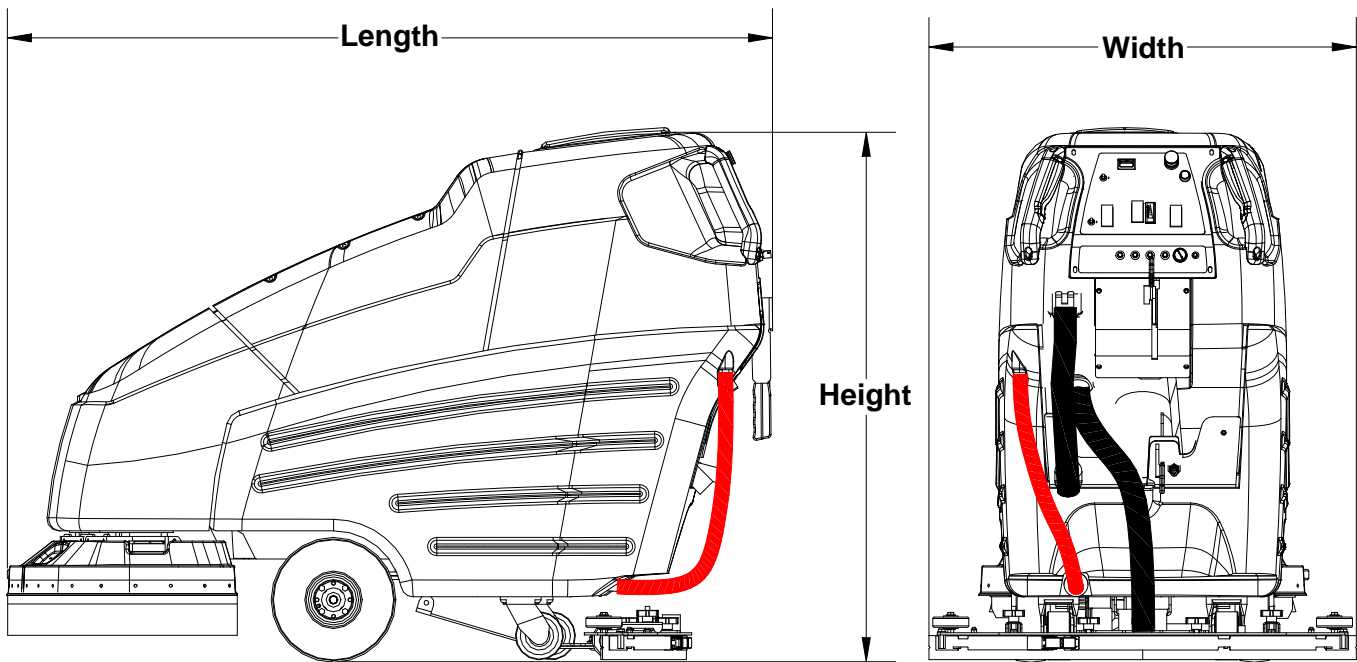
## TECHNICAL SPECIFICATIONS

| ITEM  | DIMENSION/CAPACITY  |
|---|---|
| Nominal power   | 1450 W  |
| Rated Voltage   | 24VDC   |
| Rated Amperage  | 60 Amps   |
| Batteries   | 4 X 6 Volt 250-305-335AH @ 20 hr rate                           |
| Scrub Brush Motors  | 2 X .75 hp (0.56 kW)  |
| Vacuum Motor  | .75 hp (0.56 Kw)  |
| Propelling Motor  | .3 hp (0.22 Kw)   |
| Mass (GVW)  | 915 lbs. (415 kg) with 335 AH                                   |
| Weight empty without batteries  | 346 lbs. (157 kg)   |
| Solution Control  | Gravity feed, fully variable with automatic shut-off in neutral |
| Solution tank capacity  | 23 gal. (87 l)  |
| Recovery tank capacity  | 25 gal. (95 l)  |
| Scrub brush diameter for 26 in. (66 cm) scrub head  | 13 in (33.0 cm)   |
| Scrub brush diameter for 32 in. (81 cm) scrub head  | 16 in (41 cm)   |
| Scrub brush pressure  | Actuated 0 lbs to 150 lbs (0 kg to 68 kg)                       |
| Scrub brush speed   | 200 rpm   |
| Tires   | 2 x 10 in (25.4 cm) non-marking foam-filled                     |
| Casters   | 2 X 4 in (10.2 cm) polyurethane solid non-marking               |
| Foundation Pressure (at recommended tire psi)   | 21 lbs./in <sup>2</sup> (140 kPa)                               |
| Maximum Speed   | 3.2 Miles/hour (5.2 km/hour)                                    |
| Frame Construction  | Steel plate with epoxy powdercoat finish.                       |
| Brakes (optional)   | Tire lock parking brake.  |
| Minimum aisle u-turn width with 26 in. (66 cm) scrub head                                 | 64 in. (163 cm)   |
| Minimum aisle u-turn width with 32 in. (81 cm) scrub head                                 | 69 in. (175 cm)   |
| Maximum rated climb and descent angle with empty tanks and without optional parking brake | 2%  |
| Maximum rated climb and descent angle with full tanks and without optional parking brake  | 2%  |



## TECHNICAL SPECIFICATIONS

| ITEM  | MEASURE         |
|---|-----------------|
| Height  | 45 in. (114 cm) |
| Length with 26 in. (66 cm) scrub head             | 64 in. (163 cm) |
| Length with 32 in. (81 cm) scrub head             | 66 in. (167 cm) |
| Width without squeegee and scrub head             | 24 in. (61 cm)  |
| Width of squeegee for 26 in. (66 cm) scrub head   | 35 in. (89 cm)  |
| Width of squeegee for 32 in. (81 cm) scrub head   | 39 in. (99 cm)  |
| Width of scrub path for 26 in. (66 cm) scrub head | 26 in. (66 cm)  |
| Width of scrub path for 32 in. (81 cm) scrub head | 32 in. (81 cm)  |



### SPECIAL NOTES:

The sound pressure level at the operator's ear was measured to be 72 dBA. This was a nearfield, broad-band measurement taken in a typical industrial environment on a tile floor. This appliance contains no possible source of impact noise. The instantaneous sound pressure level is below 63 Pa.

The weighted root mean square acceleration at the operator's arms was measured to be below  $2.5\text{m/s}^2$ . This was a tri-axial, third-octave-band measurement made during normal operation on a composite tile floor. The measurement and related calculations were made in accordance with ANSI S3.34-1986.

## **HOW THE MACHINE WORKS**

The Saber Cutter is a battery powered, self-propelled, hard floor scrubber intended for commercial use. The appliance applies a cleaning solution onto a hard floor, scrubs the floor with brushes, and then vacuums the soiled water back into the recovery tank.

The machine's primary systems are the solution system, scrub system, recovery system, and directional control system.

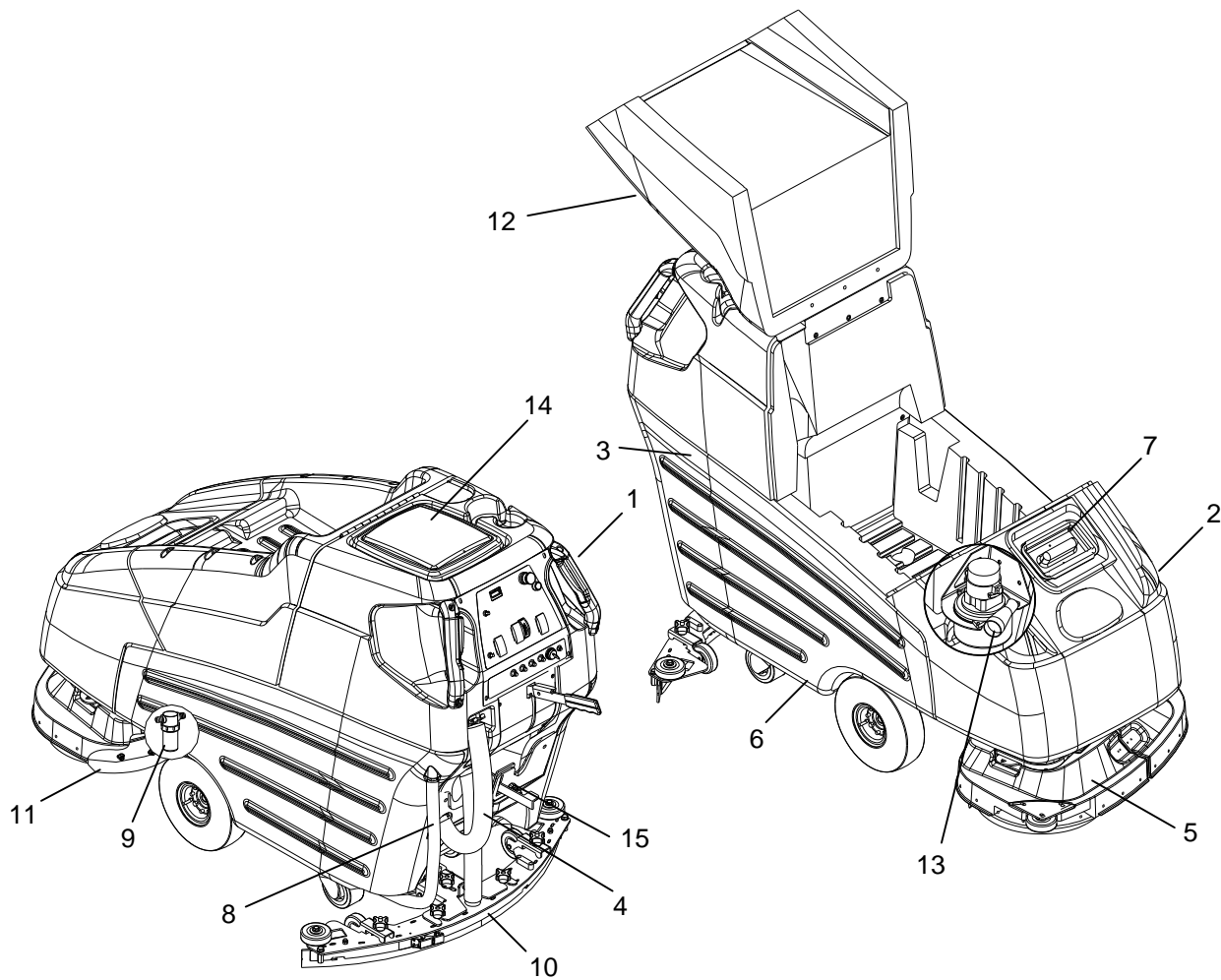
The function of the solution system is to store cleaning solution and deliver it to the scrub system. The solution system consists of the solution tank, strainer, valve and controls. The solution tank stores cleaning solution (water and detergent) until it is delivered to the scrub system. The strainer protects the valve from debris. The valve is a solenoid type valve, which controls the delivery of cleaning solution to the scrub system. The valve automatically prevents solution flow unless the scrub brushes are turned on and the machine is being propelled. The solution control knob controls the amount of cleaning solution delivered to the scrub system by controlling the amount of time the valve is open.

The function of the scrub system is to scrub the floor. The scrub system consists of two rotary type disk scrub brushes, motors, scrub deck skirt, lift mechanism and controls. The brushes scrub the floor and the motors drive the brushes. The brush drive hubs allow the scrub brushes to follow irregularities and changes in the floor without losing contact with floor. The scrub deck skirt controls the cleaning solution on the floor so that the squeegee can pick it up. The brush lift mechanisms are controls used to raise and lower the deck.

The function of the recovery system is to vacuum the soiled water back into the recovery tank. The recovery system consists of the squeegee, vacuum motor, float ball filter, recovery tank and controls. The squeegee wipes the dirty solution off the floor as the machine moves forward. The vacuum motor provides suction to draw the dirty solution off the floor and into the recovery tank. The recovery tank stores the dirty solution. The float ball filter protects the vacuum fan from debris and shuts off air going to the recovery tank when tank is full. When flow of air is shut off the vacuum motor will continue to run. At this time the recovery tank must be drained.

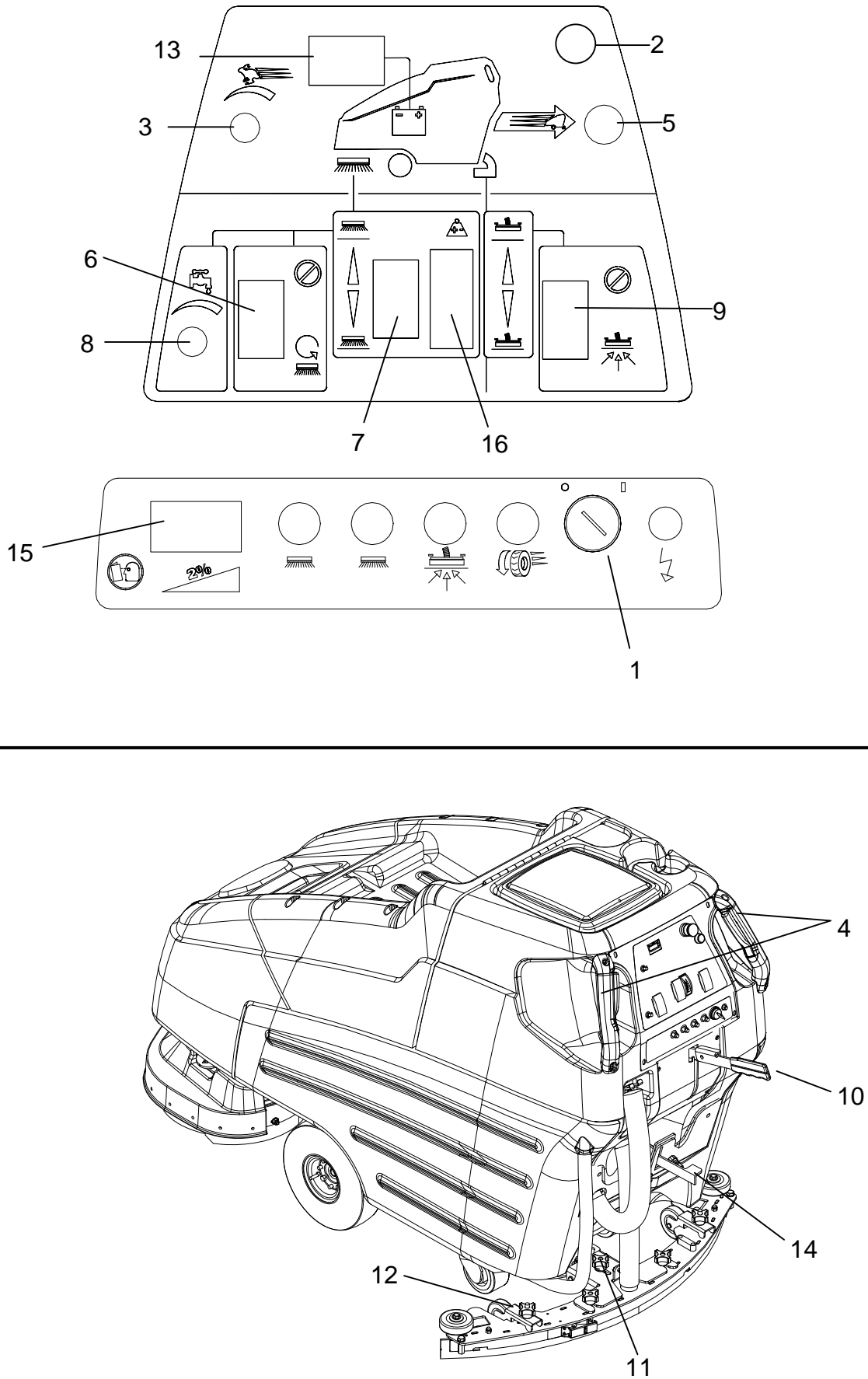
The function of the directional control system is to control the direction and speed of the machine. The directional control system consists of the propel control buttons, reverse button, speed control knob/potentiometer, controller and transaxle. The propel controls actuate switches which cause the machine to move forward. For reverse motion depress the reverse button while depressing one of the propel controls. The speed control knob actuates a potentiometer, which signals speed. The controller interprets the forward/reverse signals from the switches and the speed signal from the potentiometer to command the transaxle to propel the machine in the direction, and at the speed, desired.

## COMPONENTS



1. **Control Panel**
2. **Front Cover**
3. **Recovery Tank**
4. **Recovery Tank Drain Hose**
5. **Scrub Head Shrouds**
6. **Solution Tank**
7. **Solution Tank Cover**
8. **Solution Tank Drain Hose**
9. **Solution Strainer**
10. **Squeegee**
11. **Aqua-Mizer**
12. **Top Cover**
13. **Vacuum Motor**
14. **Recovery Tank Dome**
15. **Accessory Pump Port (Optional)**

# CONTROLS



1. *Key Switch*
  2. *Emergency Shut Off Switch (Optional)*
  3. *Speed Control Knob*
  4. *Propel Control Lever*
  5. *Reverse Button*
  6. *Brush Switch*
  7. *Actuator Switch*
  8. *Solution Control Knob*
  9. *Vacuum Switch*
  10. *Squeegee Lift Lever*
  11. *Squeegee Pitch Adjustment Knob*
  12. *Squeegee Deflection Adjustment Knobs*
  13. *Battery Charge Level Indicator*
  14. *Parking Brake (Optional)*
  15. *Hour Meter (Optional)*
  16. *Brush Pressure Indicator*
- 

## 1. KEY SWITCH

Controls the power for machine functions.

To turn machine on, rotate key clockwise.

To turn machine off, rotate key counterclockwise.

***FOR SAFETY: Always remove the key when machine is unattended or during service to prevent unauthorized movement.***

## 2. EMERGENCY SHUT-OFF SWITCH (OPTIONAL)

Shuts off machine.

To shut off machine, push the switch.

To restart machine, rotate the switch clockwise.

## 3. SPEED CONTROL KNOB

Controls the speed of the machine.

To increase speed, rotate knob clockwise.

To decrease speed, rotate knob counterclockwise.

## 4. PROPEL CONTROL LEVERS

Controls the machine direction, and scrub brushes and solution flow.

To propel machine forward, squeeze either propel lever.

The scrub brushes will not rotate and the solution will not flow to scrub deck with the propel levers in neutral.

## 5. REVERSE BUTTON

Controls the reverse function.

To propel machine backward, push the reverse button while squeezing either propel lever.

## 6. BRUSH SWITCH

Controls the scrub brush motors.

To turn scrub brushes on, press the bottom of the switch. The brushes will not rotate with the propel control levers in neutral.

To turn scrub brushes off, press the top of the switch.

## **CONTROLS**

### **7. ACTUATOR SWITCH**

Adjusts the amount of brush pressure to the floor by raising or lowering the scrub deck.

To increase brush pressure, press the bottom of the switch.

To decrease brush pressure or rise the scrub deck, press the top of the switch.

### **8. SOLUTION CONTROL KNOB**

Controls solution flow to scrub deck.

To increase flow, rotate knob clockwise.

To decrease flow, rotate knob counterclockwise.

If the brush motors are turned off or the propel control levers are in neutral, the flow is automatically interrupted until the motors are turned on again. This feature prevents unintentional draining of the solution tank and allows the operator to adjust the solution flow to the scrub deck without resetting each time the scrubbing operation is interrupted.

### **9. VACUUM SWITCH**

Controls the vacuum motor.

To start vacuum motor, press the bottom of the switch.

To stop vacuum motor, press the top of the switch.

### **10. SQUEEGEE LIFT LEVER**

Raises and lowers the squeegee.

To lower the squeegee, lift the lever from its raised position.

To raise the squeegee, lift the lever from its lowered position.

### **11. SQUEEGEE PITCH ADJUSTMENT KNOB**

Adjusts the deflection at the ends of the squeegee.

To increase squeegee blade deflection at the ends, turn knob counterclockwise.

To decrease squeegee blade deflection at the ends, turn knob clockwise.

### **12. SQUEEGEE DEFLECTION ADJUSTMENT KNOBS**

Adjusts the deflection along the entire length of the squeegee.

To increase squeegee blade deflection along the entire length, turn the two knobs at the squeegee ends counter-clockwise.

To decrease squeegee blade deflection along the entire length, turn the two knobs at the squeegee ends clockwise.

## **13. BATTERY CHARGE LEVEL INDICATOR**

Indicates the charge level of the batteries.

The meter display is divided into 10 vertical bars. Bar illuminated on the far right indicate full charge. Bars flashing near the left side indicate the batteries should be recharged. Further operation of the machine could damage the machine or the batteries.

When the machine is left overnight with less than a full charge, the display may initially indicate a full charge. It will also indicate a full charge if the batteries are disconnected, then reconnected. After a few minutes of operation the meter will give the correct charge level.

## **14. PARKING BRAKE (OPTIONAL)**

Locks front wheels to prevent unintentional movement.

To set parking brake, push down to lock notch.

To release parking brake, push down and over out of the lock down notch.

## **15. HOUR METER (OPTIONAL)**

Records the number of hours the machine has been in operation. This information is useful in determining when to service the machine.

## **16. BRUSH PRESSURE INDICATOR**

The brush pressure indicator corresponds to the amp draw of the scrub brush motors to tell how hard the motors are working. The green zone indicates medium or proper operating brush pressure. The red zone indicates heavy or excessive brush pressure. Operating in the red zone may cause the brush circuit breakers to trip.

## **MACHINE OPERATION**

### **PRE-RUN MACHINE INSPECTION**

Do a pre-run inspection to find possible problems that could cause poor performance or lost time from breakdown. Follow the same procedure each time to avoid missing steps.

*NOTE: See maintenance section for pre-run machine inspection checklist items.*

### **STARTING MACHINE**

*NOTE: Perform pre-run machine check before operating machine.*

**FOR SAFETY: Before starting machine, make sure that all safety devices are in place and operating properly.**

1. Turn the machine power on.
2. Release the parking brake, if your machine is equipped with this option.
3. Engage the direction propel levers for the desired direction.

### **EMERGENCY STOP PROCEDURES**

1. Release the propel levers.
2. Turn machine power off with key switch.
3. If an electrical problem is suspected push in emergency stop button, if machine is equipped with this option.
4. Apply brakes, if your machine is equipped with this option.

### **FILLING SOLUTION TANK**

**FOR SAFETY: Before leaving or servicing machine; stop on level surface, turn off machine and remove key.**

1. Turn the machine power off.
2. Set the parking brake if your machine is equipped with this option.
3. Remove solution tank cover.
4. Fill the solution tank with clean water, leaving enough room for the required amount of cleaning solution. The solution tank capacity filled to 2" (5 cm) from bottom of fill inlet is 23 gallons (87 liters). The water must not be hotter than 140° F (60°C) to prevent damage to the tank.
5. Measure the chemical into the solution tank. Liquid chemicals should be added to the solution tank after filling with water. Dry chemicals should be thoroughly mixed before being added into solution tank. Commercially available, high alkaline floor cleaners, are suitable for use in the solution system.  
*NOTE: Read the chemical manufacturers recommended proportion instructions.*
6. Replace solution tank cover.

### **WARNING**

**Flammable materials can cause an explosion or fire. Do not use flammable materials in the tanks.**

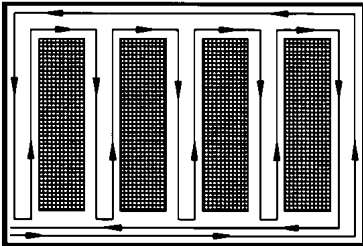


## NORMAL SCRUBBING

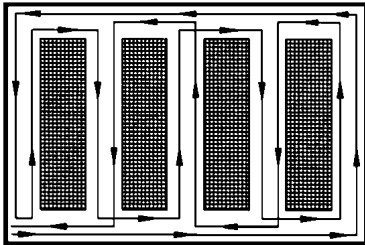
Plan the scrubbing pattern in advance. The longest track is around the perimeter of the area to be cleaned. For efficient operation, the runs should be the longest possible without turning, stopping, or raising and lowering scrub deck/squeegee.

*NOTE: In order to achieve the best possible results, the area which is to be cleaned should be*

## INEFFICIENT SCRUBBING PATH



## RECOMMENDED SCRUBBING PATH



*swept before scrubbing. Large debris, strings & wire must be removed to prevent being caught in brushes or squeegee.*

## TO BEGIN SCRUBBING

### **⚠ WARNING**

**When operating the machine around people, pay close attention for unexpected movement. Use extra caution around children.**

### **⚠ CAUTION**

**Flammable liquids and/or reactive metals can cause explosions or fire! Do not pick up.**

1. Turn the machine power on.
2. Lower the squeegee.
3. Turn the vacuum on.
4. Lower the scrub brushes to the floor.
5. Turn the scrub brushes on (brushes will start when machine is propelled).
6. Drive machine forward to begin scrubbing.  
*NOTE: Shut machine off immediately if water or foam is expelled from the machine.*
7. Adjust the speed of the machine, solution flow and scrub brush pressure as necessary.  
*NOTE: Once solution flow rate is set it is not necessary to shut off solution when stopping scrubbing. Solution flow is automatically shut off when brush motors stop. When brush motors are activated, flow automatically resumes.*

## TO STOP SCRUBBING

1. Release the propel levers.
2. Turn the scrub brushes off.
3. Raise the scrub brushes.
4. Raise the squeegee.
5. Turn the vacuum off.
6. Turn the machine power off.

## MACHINE OPERATION

### DOUBLE SCRUB

For floors which are heavily soiled or have thick accumulations of floor finish may not clean sufficiently with one pass. In these cases it will be necessary to double scrub.

To double scrub, make the first pass over the surface being cleaned with the squeegee up, vacuum off, the solution on, Aqua-Mizer removed and brushes down. This allows the solution to stay in contact with the soil while loosening the surface accumulation with the brushes. Allow time for the first application to stay in contact with the floor. Length of time between the first and second pass depends on amount of accumulation and the type of chemical being used. A second scrubbing with the squeegee down and again the solution and brushes on will further loosen soil. The additional application of solution will further assist the difficult cleaning job.

**FOR SAFETY:** When using machine, go slow on inclines and slippery services.

### EMPTYING AND CLEANING TANKS

1. Park the machine next to a floor drain. Drain hose is on left rear corner of the machine.
2. Turn the machine power off and set parking brake, if your machine is equipped with this option.

#### SOLUTION TANK

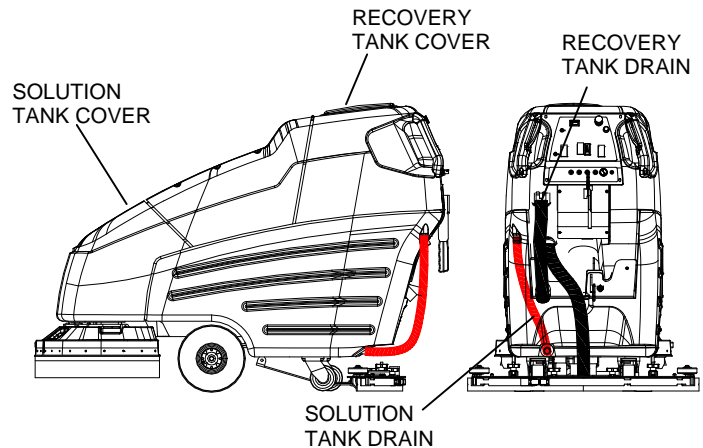
1. Loosen small drain hose from the retainer, then lower hose in direction of the drain.
2. Remove the solution tank cover.
3. Flush the solution tank out with clean water and run several gallons of clean water through systems. Do not use water hotter than 140°F (60°C) to clean tank. Damage may occur.

*NOTE: Never allow solution to remain in tank. Damage to tank, seals and valves could occur.*

4. Secure drain hose into the retainer.

#### RECOVERY TANK

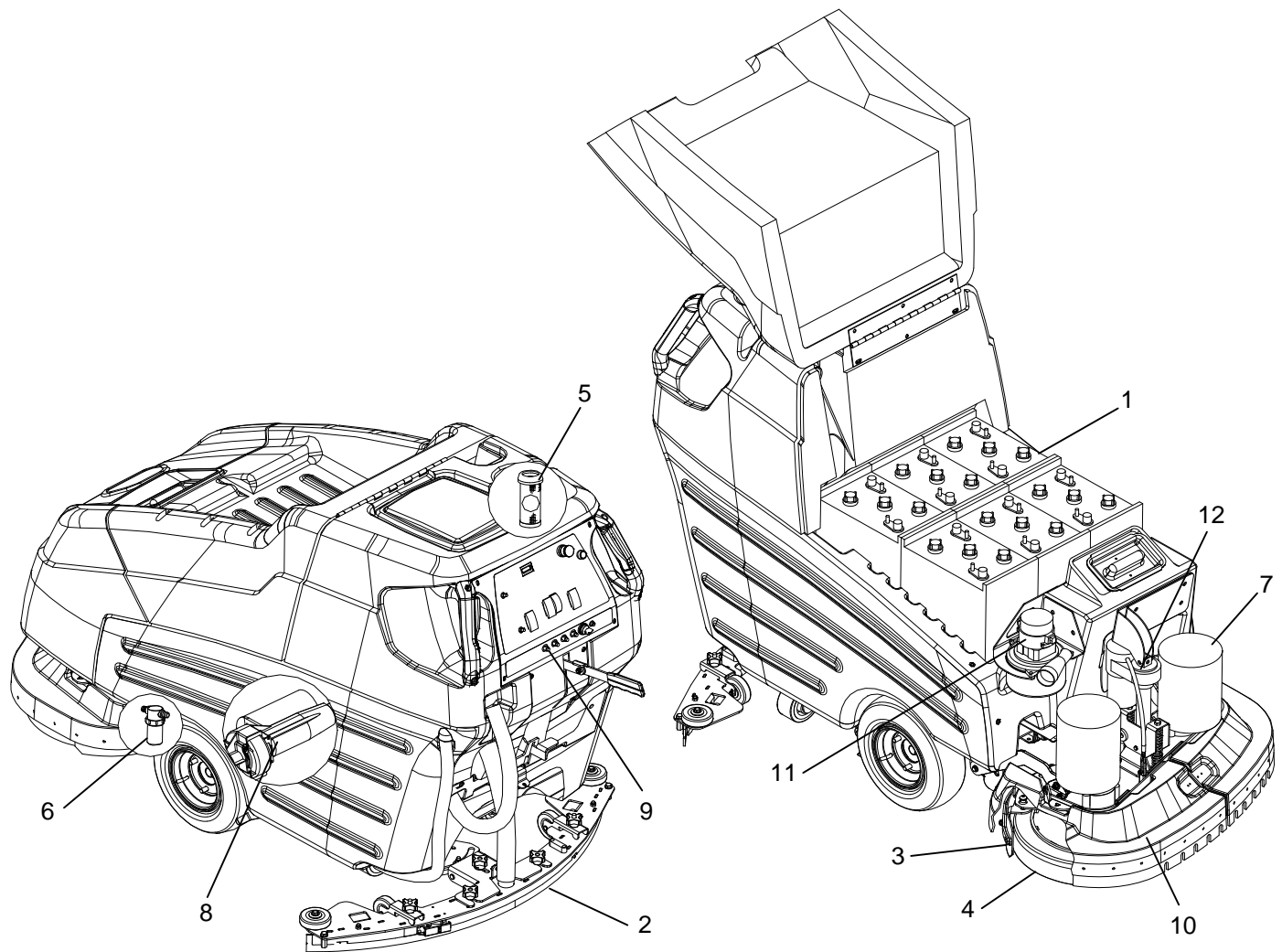
1. Unhook the large drain hose from the retainer. Unscrew the T-handle on plug enough to loosen plug, then lower hose in direction of the drain. Do not stand in front of end of hose. Recovered solution will come out with force. Slowly remove plug from drain hose.
2. Remove the recovery tank dome. Flush the recovery tank out with clean water. Do not use water hotter than 140°F (60°C) to clean tank. Damage may occur.
3. Clean off the float shut-off system and inspect for free movement of float. The float shut-off system is located in the rear of the recovery tank.
4. Replace the drain plug and secure drain hose in bracket.
5. If machine is to be stored, leave the recovery tank dome off.



**SERVICE SCHEDULE**

| <b>MAINTENANCE</b>   | <b>DAILY</b> | <b>WEEKLY</b> | <b>MONTHLY</b> | <b>100 HRS</b> | <b>200 HRS</b> |
|--|--------------|---------------|----------------|----------------|----------------|
| Check batteries after charging; add water if necessary             | *            |               |                |                |                |
| Check pad wear to prevent buildup of chemicals                     | *            |               |                |                |                |
| Check linkages and connectors for wear and damage                  | *            |               |                |                |                |
| Check hoses for wear, blockages, or damage                         | *            |               |                |                |                |
| Clean squeegee; check for adjustment; inspect for wear             | *            |               |                |                |                |
| Check handles, switches, knobs, domes, and gaskets for damage      | *            |               |                |                |                |
| Clean out recovery tank  | *            |               |                |                |                |
| Clean out solution tank; remove and clean screen                   | *            |               |                |                |                |
| Clean outside of all tanks; check for damage                       | *            |               |                |                |                |
| Run vac motor for at least one minute to allow motor to dry        | *            |               |                |                |                |
| Store with dome off tank to allow the tank to dry                  | *            |               |                |                |                |
| Check scrub deck skirt   |              | *             |                |                |                |
| Check batteries for corrosion, cracks and evidence of overheating  |              |               | *              |                |                |
| Check all bearings for noise                                       |              |               | *              |                |                |
| Check all gaskets for wear and leakage                             |              |               | *              |                |                |
| Check vac motor carbon brushes                                     |              |               | *              |                |                |
| Check brushes for wear; ensure bristles are not damaged            |              |               | *              |                |                |
| Check linkages for wear and damage                                 |              |               | *              |                |                |
| Grease transaxle   |              |               | *              |                |                |
| Grease wheels and casters  |              |               | *              |                |                |
| Check squeegee blades for wear and frame for damage                |              |               | *              |                |                |
| Check overall performance of machine                               |              |               | *              |                |                |
| Clean batteries and terminals                                      |              |               |                | *              |                |
| Check parking brake (inspect cables, linkages and pulleys)         |              |               |                |                | *              |
| Check carbon brushes in all vacuum, brush drive, and propel motors |              |               |                |                | *              |
| Blow out dust in motors  |              |               |                |                | *              |
| Inspect motor commutators  |              |               |                |                | *              |
| Clean chains, cables and pulleys                                   |              |               |                |                | *              |
| Clean pivot points on squeegee and scrub deck linkages             |              |               |                |                | *              |

## MAINTENANCE



1. **Batteries**
2. **Squeegee**
3. **Aqua Mizer**
4. **Scrub Brushes**
5. **Float Shut-Off**
6. **Solution Strainer**
7. **Brush Motor**
8. **Traction Motor**
9. **Circuit Breakers**
10. **Brush Shroud & Brush Skirts**
11. **Vacuum Motor**
12. **Actuator Scrub Brush**

## 1. BATTERIES

The batteries provide the power to operate the machine. The batteries require regular maintenance to keep them operating at peak efficiency.

The machine batteries will hold their charge for long periods of time, but they can only be charged a certain number of times. To get the greatest life from the batteries, charge them when their charge level reaches 25% of a full charge. Use a hydrometer to check the charge level.

Do not allow the batteries to remain in a discharged condition for any length of time. Never expose a discharged battery to temperatures below freezing. Discharged batteries will freeze causing cracked cases. Do not operate the machine if the batteries are in poor condition or if they have a charge level below 25% (specific gravity below 1.155).

Keep all metallic objects off the top of the batteries, as they may cause a short circuit. Replace worn or damaged cables and terminals.

Check the electrolyte level in each battery cell before and after charging the batteries. Never add acid to the batteries, use distilled water. Do not allow water level to fall below the battery plates. Portions of plates exposed to air will be destroyed. Do not overfill. Keep plugs firmly in place at all times.

### CAUTION

When servicing machine, avoid contact with battery acid.

### WARNING

Batteries emit hydrogen gas. Explosion or fire can result. Keep sparks and open flame away. Keep covers open when charging.

### WARNING

Wear eye protection and protective clothing when working with batteries.

### WARNING

Charge batteries in a well ventilated area.

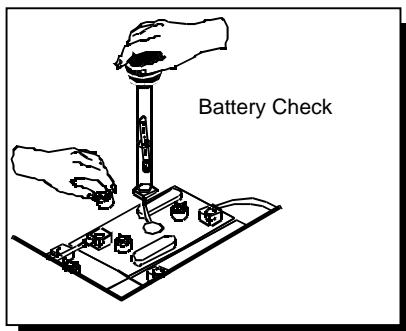
## BATTERY MAINTENANCE

1. When cleaning the batteries, use a solution of baking soda and water. Do not allow the cleaning fluid to enter the battery cells, electrolyte will be neutralized.
2. Maintain the proper electrolyte level in each battery cell. If a cell should accidentally overflow, clean immediately.
3. Wipe off the top of the batteries at least once a week.
4. Test battery condition with a hydrometer at least once a week.
5. Ensure that all connections are tight and all corrosion removed.
6. Every 4 to 6 months, remove that batteries from the machine and clean the battery cases and battery compartment.

## MAINTENANCE

### CHECKING BATTERY SPECIFIC GRAVITY

Use a hydrometer to check the battery specific gravity.



### CHECKING GRAVITY

#### A. Hydrometer

#### B. Battery

*NOTE: Do not take readings immediately after adding distilled water, if the water and acid are not thoroughly mixed, the reading may not be accurate.*

Check the hydrometer readings against this chart.

| SPECIFIC GRAVITY<br>@ 80° F (27°C) | BATTERY CONDITION |
|------------------------------------|-------------------|
| 1.265                              | 100% CHARGED      |
| 1.225                              | 75% CHARGED       |
| 1.190                              | 50% CHARGED       |
| 1.155                              | 25% CHARGED       |
| 1.120                              | DISCHARGED        |

*NOTE: If the readings are taken when the battery electrolyte is any temperature other than 80° F (27°C), the reading must be temperature corrected.*

To find the corrected specific gravity reading when the temperature of the battery electrolyte is other than 80°F (27°): Add (+) to the specific gravity reading 0.004 (4 points), for each 10°F (6°C) above 80° (27°C).

Subtract (-) from the specific reading 0.004 (4 points), for each 10°F (6°C) below 80°F (27°C).

### TO CHARGE THE BATTERIES

#### **⚠ WARNING**

When servicing machine, avoid contact with battery acid.

#### **⚠ CAUTION**

Batteries emit hydrogen gas. Explosion or fire can result. Keep sparks and open flame away. Keep covers open when charging.

#### **⚠ WARNING**

Wear eye protection and protective clothing when working with batteries.

#### **⚠ WARNING**

Charge batteries in a well ventilated area. Leave the battery cover open.

Use a 24 volt, 18 amp maximum output or 25 amp (depending on the size of the batteries), DC charger which will automatically shut off when the batteries are fully charged.

1. Stop the machine in a clean, well ventilated area next to the charger.
2. Turn "OFF" machine.

**FOR SAFETY: Before leaving or servicing machine; stop on level surface, turn off machine and remove key.**

3. Raise the battery cover.

#### **⚠ WARNING**

Batteries emit hydrogen gas. Explosion or fire can result. Keep sparks and open flame away. Keep covers open when charging.

4. Check the electrolyte level in each battery cell. Before charging, add just enough distilled water to cover the plates. After charging is complete, add just enough distilled water to bring up the level to the indicator ring. If the water level is too high before charging, normal expansion rate of the electrolyte may cause an overflow. Resulting in a loss of battery acid balance and damage the machine.

5. Replace the battery caps, and leave them in place while charging.
6. Unplug the battery connector from the machine.

**FOR SAFETY: When charging, connect the charger to the batteries before connecting the charger to the AC wall outlet. Never connect the charger to the AC wall outlet first. Hazardous sparks may result.**

7. Plug the charger connector into the battery connector. Connect the charger AC plug to a wall outlet. The charger gauge should indicate that the batteries are charging.
8. When the batteries are fully charged, disconnect the charger from the AC wall outlet, then disconnect the charger from the batteries.
9. Connect the batteries to the machine connector.
10. Check the electrolyte level. It should be up to the indicator ring. If necessary, add distilled water.
11. Lower the battery cover.

### Machines equipped with Onboard Charger:

1. Connect charger's AC power cord to AC mains. The charger's YELLOW "AC" LED will light.

**Note: When charger is energized, all machine function will shut down.**

2. Current level being delivered to the batteries will be displayed on the charger's bar graph.
3. When battery charge level has reached 80% the YELLOW "80%" LED will light.
4. Batteries will then receive a low current "finish-charge" indicated by the flashing GREEN "100%" LED.
5. Charging cycle is complete when "100%" LED is continuously GREEN.
6. Disconnect charger's AC power cord.
7. Raise battery cover and check the battery electrolyte level. It should be up to the indicator ring. If necessary, add distilled water.
8. Lower the battery cover.

**Note: For additional information about battery charger function, please see the charger Product Manual.**

### CHANGING BATTERIES

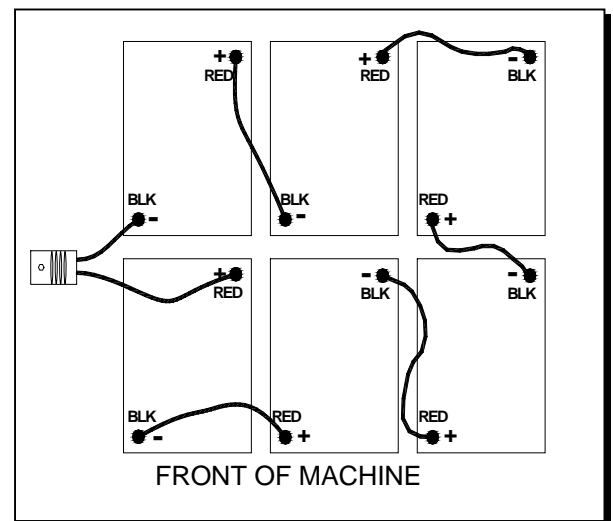
Stop the machine in a clean area next to the charger. Turn off machine.

**FOR SAFETY: Before leaving or servicing the machine; stop on level surface, turn off machine and remove key.**

1. Raise the battery cover.
2. Disconnect battery pack from machine.
3. Use the proper size open end wrench to disconnect main ground wire first and secure cable terminal away from batteries.
4. Disconnect main positive lead and secure cable terminals away from batteries.
5. Loosen both terminals on each jumper cable and remove one at a time.
6. Prepare a suitable site to place the batteries.
7. Attach suitable battery lifting device and lift batteries from the machine.

### **! WARNING**

**Batteries are a potential environmental hazard. Consult your battery supplier for safe disposal methods.**



# MAINTENANCE

## 2. SQUEEGEE BLADES

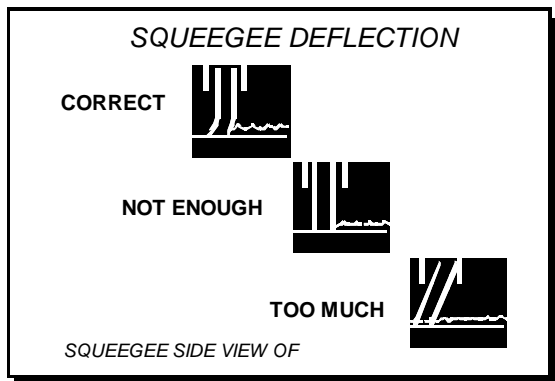
The front squeegee blade allows solution to pass through channels in the blade into the squeegee assembly while maintaining vacuum to provide lift. The front blade has four wear surfaces and can be rotated for extended life. The front blade should not require regular replacement under normal use.

The rear blade wipes the floor to a near dry condition. It is important the rear blade be in good condition to properly do its job. As with the front, each squeegee blade assembly has four wear surfaces for extended service.

Check both the front and rear squeegee blades for damage, wear, and adjustment each day in the pre-run check. Change the front blade if it is torn or has an uneven edge. Change the rear blade if it is less than 1/2 the original thickness.

### ADJUSTING SQUEEGEE

Adjusting the squeegee is a two-part process. First, the squeegee assembly must have correct pitch in order for the squeegee blade to have the same deflection at each tip as well as the center. The knob on the squeegee linkage controls the pitch adjustment. The second adjustment is the deflection. Knobs on each end of the squeegee control this.



### TO REMOVE SQUEEGEE ASSEMBLY

1. With the squeegee in the up position, turn key switch "OFF".
2. Disconnect vacuum hose from squeegee and loosen both knobs.
3. Pull squeegee assembly rearward from the lifting carrier.
4. Inspect or repair as necessary and reinstall.

### TO REPLACE OR ROTATE REAR SQUEEGEE BLADES

1. With the squeegee in the up position, turn key switch "OFF".  
**FOR SAFETY: Before leaving or servicing machine; stop on level surface, turn off machine and remove key.**
2. Remove the squeegee assembly from the machine. Unlatch and remove blade retainer strap and remove squeegee blade.
3. Rotate the squeegee to new edge position or replace as required. Each blade has four new edge positions.
4. Install blade on locating pins of squeegee assembly.
5. Install squeegee retainer strap.
6. Fasten and lock latch, adjust latch only tight enough to take up slack in retaining strap.

### TO REPLACE OR ROTATE FRONT SQUEEGEE BLADE

1. With the squeegee in the up position, turn key switch "OFF".
2. Remove the squeegee from the machine. Loosen three thumbscrews and remove the retainer strap and squeegee blade.
3. Rotate the squeegee to new edge position or replace as required. Each blade has four new edge positions. When installing the front blade, tighten the center thumbscrew first. Insure that the retainer strap is pressed against the blade before tightening the outer screws.

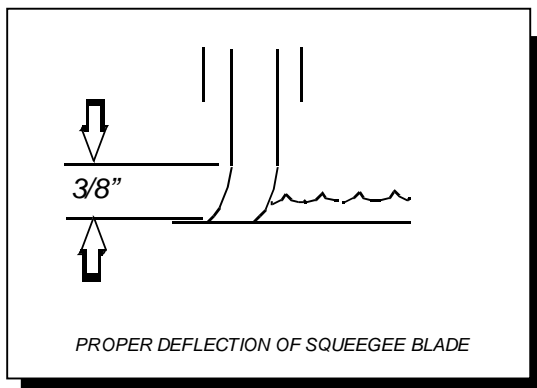


## TO ADJUST SQUEEGEE PITCH

1. Choose a smooth, level surface. Turn "ON" the key switch. Lower the squeegee and drive forward at least 2 feet (60cm.).
2. With the squeegee down, stop the machine. Do not allow machine to roll back.

**FOR SAFETY: Before leaving or servicing the machine; stop on level surface, turn off machine and remove key.**

3. Determine the differences, if any, in deflection of the squeegee blade between each end and the middle. Proper adjustment is obtained when deflection is equal all the way across the squeegee blade. The bubble level should also indicate when the squeegee is adjusted properly. When the air bubble is in the center of the vial, the deflection should be even across the squeegee blade.
4. To decrease the deflection of the squeegee blade at the ends, tighten knob near the squeegee center. To increase the deflection at the ends of the squeegee assembly, loosen knob.
5. Check the deflection of the squeegee blades again. Repeat steps 1 through 4 until the deflection is equal across the entire rear squeegee blade.



## TO ADJUST AMOUNT OF REAR SQUEEGEE DEFLECTION

1. Choose a smooth, level surface. Lower the squeegee and drive forward at least 2 feet (60cm).
2. With the squeegee down, stop the machine. Do not allow machine to roll back.

**FOR SAFETY: Before leaving or servicing machine; stop on level surface, turn off machine and remove key.**

3. Observe the amount of squeegee deflection. It should deflect 3/8 in. (9.5mm) across the entire width of the squeegee.
4. To increase the squeegee deflection, turn the 2 knobs at the squeegee ends counter-clockwise. To decrease the deflection, turn the knobs clockwise.

*NOTE: The deflection should be consistent along the length of the squeegee. If the deflection varies from end to end the knobs can be adjusted independently to correct the variation.*

5. Turn on the key switch. Raise, then lower squeegee assembly. Drive forward at least 2 feet (60cm).
6. Repeat steps 2 through 4 until deflection of 3/8 in. (9.5mm) is reached.

## 3. TO REPLACE AQUA-MIZER SQUEEGEE BLADES

These squeegee blades have two wear edges. To use the second edge:

1. Remove deck shrouds.
2. Remove brushes or pad drivers.
3. Remove each of the Aqua-Mizer squeegee systems.
4. Remove the hardware from each system that retains the blade.
5. Flip the blades and replace hardware.
6. Re-install each Aqua-Mizer system, brushes or pad drivers and shrouds.

## MAINTENANCE

### 4. SCRUB BRUSHES

There are four different types of brushes available to cover applications from cleaning heavily soiled floors to polishing. A pad driver is also available to take advantage of the many cleaning pads on the market. Please refer to the following to assist in selecting the proper brush or pad for the work at hand.

#### UNCOATED FLOORS

**Aggressive Grit** is a nylon fiber impregnated with silicone carbide grit. It grinds away stain, soil, and removes surface material.

**Mild Grit** is a less aggressive silicone carbide grit suitable for cleaning medium soil conditions. Advantages are faster ground speed than nylon bristles on light solid applications.

**Polypropylene** is a general-purpose scrub brush with stiff bristles. Polypropylene works well for maintaining concrete, wood and tile floors.

#### FINISHED FLOORS

**Nylon** bristles are used in a variety of applications on coated or uncoated surfaces.

**White Pads** (Polishing) are used for dry polishing to achieve a high-gloss appearance, or surface washing on highly polished or burnished floors.

**Red Pads** (Buffing) are used for light-duty scrubbing. When used with a mild detergent they will provide surface cleaning without removing the finish.

**Blue Pads** (Scrubbing) are used for heavy-duty scrubbing and light stripping. The blue pads remove less finish than brown stripping pads, yet will remove black marks, stains and dirt.

**Black Pads** (Stripping) are used for easy and complete removal of old floor waxes/finishes. They will quickly remove ground in dirt, black heel marks, and spills. When used with the proper stripper, this pad leaves the floor clean and ready for finishing.

The scrub brushes should be checked before each days work for wire, string, wear and damage.

### REPLACING OR INSTALLING SCRUB BRUSHES

1. With the scrub deck up, turn "OFF" the machine.

**FOR SAFETY: Before leaving or servicing the machine; stop on level surface, turn OFF machine and remove key.**

2. Remove the two brush cover shrouds.
3. Locate release lever on top of brush or pad driver. Rotate release lever counter-clockwise and the brush/pad driver will release and drop down.
4. To reinstall, center the brush driver under the brush drive hub. Raise until it contacts brush driver assembly. Turn clockwise until release lever plate locks into position.
5. Replace the two brush cover shrouds.

*NOTE: Check that release plate is completely closed and pad/brush is securely attached. Damage to driver or brush could occur.*

### 5. RECOVERY TANK FLOAT SHUT-OFF

When water is no longer being vacuumed from the floor and the vacuum fan is operating, the ball float has engaged. The vacuum motor will not vacuum water with recovery tank full. The recovery tank must be drained.

1. The float shut-off screen can be cleaned in or out of the machine.
2. To clean the float shut-off while it is inside the machine wipe material off screen then rinse. Check that the ball is also clean and moves freely.
3. To remove the float shut-off, grasp the screen with one hand and the connected tube with the other. Tilt and pull the float screen assembly to pull it off the barb on the tube.

To install, place one hand on the tube, and then tilt and push the float screen assembly over the barb on the tube.

## 6. SOLUTION STRAINER

The solution strainer is located in front of the left front wheel. The solution strainer protects the solenoid valve from debris. If there is little or no solution flow to the ground, check the strainer for debris. Drain the solution tank and clean the solution strainer. To remove the strainer, turn the bottom part of the strainer counterclockwise until the bottom is separated. Clean out the debris from the wire mesh and re-assemble. Make sure the O-ring gasket is in place when re-assembled

## 7. BRUSH MOTOR



**Do not use a pressure washer to clean around the brush motors. Use tap pressure only.**

## CHANGING BRUSH MOTORS

1. With the scrub deck in the stored position, disconnect brush motor wiring connector from harness.
2. Remove shrouds from scrub deck to access and remove scrub brushes or pad drivers.
3. Remove retaining bolt, lock washer, flat washer and star drive from brush motor shaft.
4. Remove 4 brush motor mounting bolts located under scrub deck.
5. Remove brush motor.
6. Reverse steps to install.

## BRUSH MOTOR CARBON BRUSH REPLACEMENT

1. Scribe alignment mark on motor barrel to motor cap. Remove two bolts.
2. Remove end cap from motor.  
**NOTE:** Motors contain two wave washers in cap. Do not lose these.
3. Release brush from spring tension. Remove screw connecting brush wire lead to brush holder. Clean brush holder to insure free movement.
4. Retract spring and install new brush. Install connector screw and lead.
5. When all new brushes are installed. Place all in retracted position, held into brush holder by spring tension.
6. Carefully place end cap onto bearing on motor shaft.  
**NOTE:** Use care to assure wave washer alignment.
7. With end cap in partially installed position, release all brushes to contact position with motor commutator.  
**NOTE:** Failure to insure all brushes are released will result in motor failure.
8. Reset end cap and realign with scribe marks on motor barrel. Reinstall the two attach bolts from cap into base.
9. Maintain alignment between motor barrel base and cap.

## MAINTENANCE

### 8. TRACTION MOTOR

#### WARNING

Do not use a pressure washer to clean around the motors. Use tap pressure only.

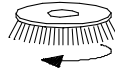
### TRACTION MOTOR CARBON BRUSH REPLACEMENT

*FOR SAFETY: Before leaving or servicing machine, stop on a level surface, turn off machine and remove key.*

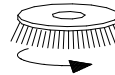
1. Disconnect batteries from machine.
2. Disconnect the electrical connection to the traction motor.
3. Remove brush cap.
4. Release brush from spring tension. Remove screw connecting brush wire lead to brush holder. Clean brush holder to insure free movement.
5. Install new brush and reinstall connecting screw and lead.
6. When all new brushes are installed. Place all in retracted position, held into brush holder by spring tension.
7. Carefully replace brush cap.

### 9. CIRCUIT BREAKERS

Circuit breakers interrupt the flow of power in the event of an electrical overload. When a circuit breaker is tripped, reset it by pressing the exposed button. If a circuit breaker continues to trip, the cause of the electrical overload should be found and corrected.



30 Amp. Protects the left scrub brush motor.



30 Amp. Protects the right scrub brush motor.



25 Amp. Protects the vacuum motor.



25 Amp. Protects the propel motor.



3 Amp. Protects the machine controls.

### 10. BRUSH SHROUDS & BRUSH SKIRTS

Contain the water in the shroud area. The skirt will flex over uneven floors and also as the brush or pad wears. As the brush wears the shrouds can be adjusted so that skirt does not have to flex so much.

Remove three bolts on each side that fasten the bracket to the cover and re-assemble in the top holes. When the brushes are replaced with new ones move the covers back to the lower set of holes.

**11. VACUUM MOTOR**

(Refer to the Vacuum Group in the parts section of manual)

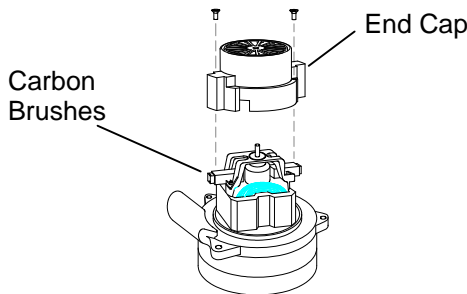
**⚠ WARNING**

**Do not use a pressure washer to clean around the vacuum motors. Use tap pressure only. Care must be taken so that water is not directed into vacuum motor air intakes.**

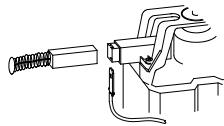
**CHANGING VACUUM MOTOR**

1. Remove side cover.
2. Disconnect electrical connector to the vacuum motor.
3. Loosen clamp and disconnect hose from vacuum intake.
4. Remove vacuum motor mounting bracket bolts, which are located under frame.
5. Remove vacuum motor and mounting bracket assembly.
6. Reverse steps to install

**Vacuum Motor Carbon Brushes Replacement (Windsor)**

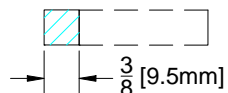


If armature commutator is grooved, extremely pitted or not concentric, the motor will need to be replaced or sent to a qualified service center.



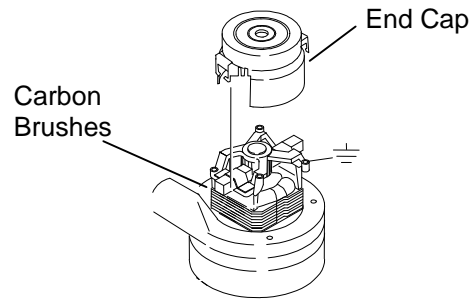
**Important:**

These brushes wear quicker as the length shortens due to increased heat. Spring inside brush housing will damage motor if brushes are allowed to wear away completely.

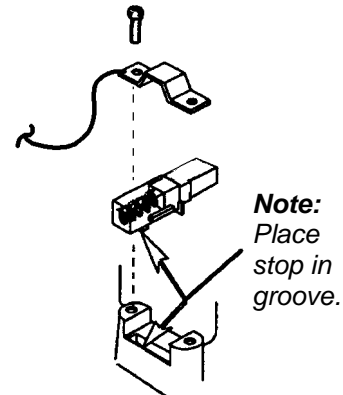


Periodically check the length of the carbon brushes. Replace both carbon brushes when either is less than 3/8" (9.5mm) long.

**Vacuum Motor Carbon Brushes Replacement (Ametek)**

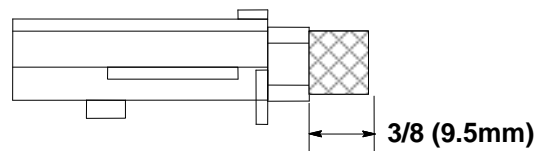


If armature commutator is grooved, extremely pitted or not concentric, the motor will need to be replaced or sent to a qualified service center.



**Important:**

These brushes wear quicker as the length shortens due to increased heat. Spring inside brush housing will damage motor if brushes are allowed to wear away completely.



Periodically check the length of the carbon brushes. Replace both carbon brushes when either is less than 3/8" (9.5mm) long.

### 12. ACTUATOR SCRUB DECK REMOVAL/REPLACEMENT

**FOR SAFETY: Before leaving or servicing machine, stop on a level surface, turn off machine and set parking brake (if option is installed).**

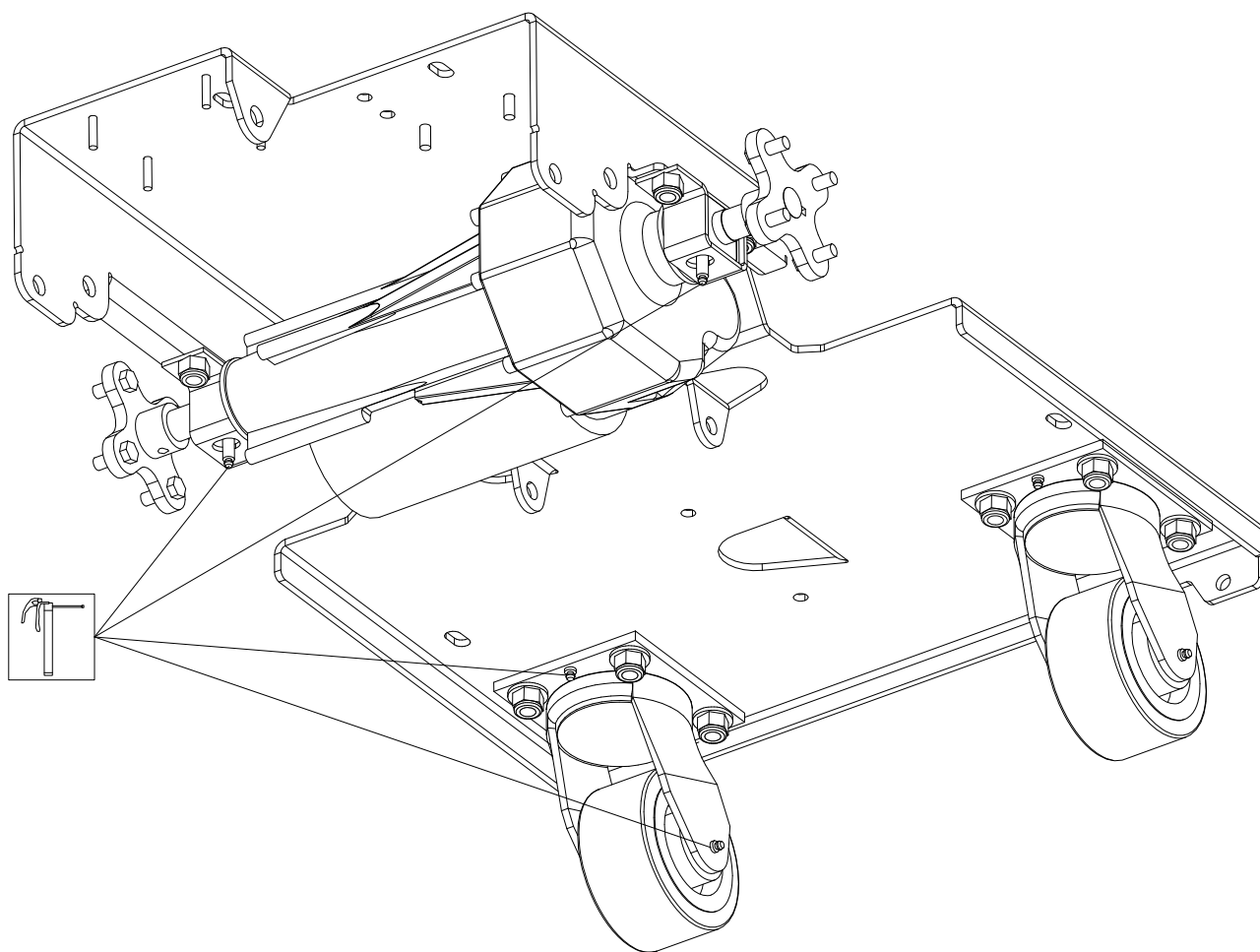
1. Remove front cover.
2. Remove the two nuts below the scrub deck that attach the actuator bracket.
3. Remove clevis pin and rue ring from lower bracket of actuator, make sure not allow actuator bracket to rotate.
4. Disconnect actuator from wiring harness.
5. Remove upper clevis pin and rue ring from actuator bracket.
6. Reverse steps to install.

### SCRUB DECK ACTUATOR ADJUSTMENT

The actuator will need to be adjusted when replaced.

**To adjust the actuator:**

1. While holding actuator barrel to prevent it from spinning, apply power to the actuator such that it is fully extended. Positive power to white wire, and negative/ground to black. Limit switch within actuator will stop it.
2. Turn barrel out one or more full turns to assure that when it is retracted it will not bind against itself.
3. While holding actuator barrel to prevent it from spinning, apply power to the actuator such that it is fully retracted. Positive power to black wire, and negative/ground to white wire. Limit switch within actuator will stop it.
4. With actuator fully retracted, turn barrel in until it touches the base of the threaded shaft.
5. At the bottomed out position, turn the barrel out **1 1/2 turns**, then enough more to allow connection to lift linkage.
6. Connect actuator to lift linkage.
7. Check travel of actuator during operation.



**RECOMMENDED GREASING:**  
1-2 strokes of Mobiltemp®78 or compatible  
clay-based or calcium-based grease.

## MACHINE TROUBLESHOOTING

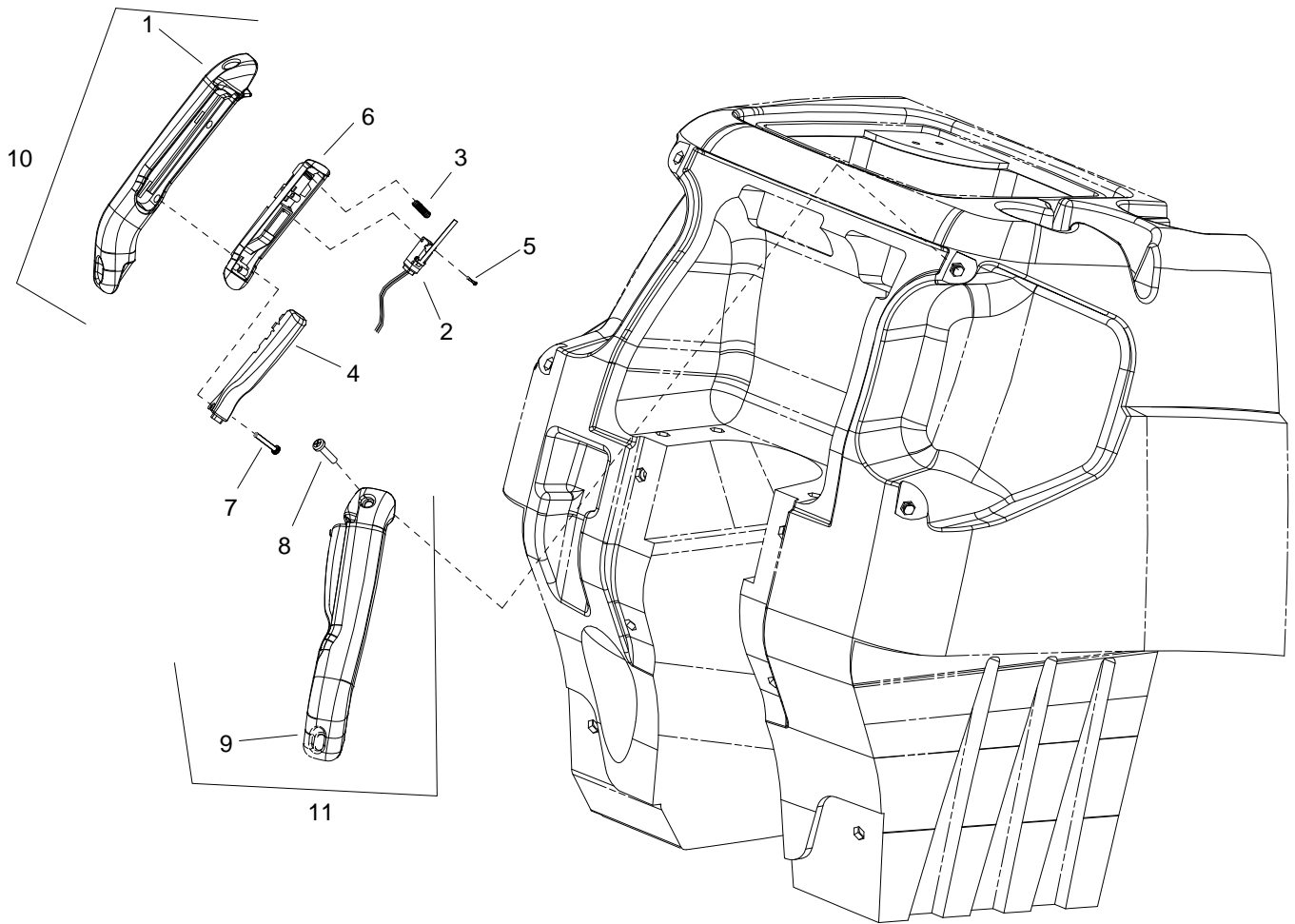
| PROBLEM                                   | CAUSE   | SOLUTION   |
|---|---|--|
| Poor or no water pick-up                  | Squeegee out of adjustment                              | Adjust squeegee  |
|   | Debris caught on squeegee                               | Remove debris  |
|   | Worn squeegee blades                                    | Rotate or replace squeegee blades                                      |
|   | Vacuum hose clogged                                     | Clear obstruction from hose  |
|   | Vacuum hose disconnected from squeegee or recovery tank | Reconnect vacuum hose  |
|   | Vacuum hose damaged                                     | Replace vacuum hose  |
|   | Recovery tank not sealed                                | Place recovery tank dome on tank. Replace damaged gaskets.             |
|   | Foam filling recovery tank                              | Empty recovery tank<br>Use less or different detergent<br>Use defoamer |
| Vacuum motor does not run, or runs slowly | Recovery tank full                                      | Drain recovery tank  |
|   | Recovery tank float system dirty                        | Clean float system   |
|   | Circuit breaker tripped                                 | Reset circuit breaker  |
|   | Loose connection  | Check motor wires and connections                                      |
|   | Faulty vacuum switch                                    | Replace switch   |
|   | Worn vacuum motor brushes                               | Replace brushes, check commutator                                      |
| Poor scrubbing performance                | Debris caught in scrub brushes                          | Remove debris  |
|   | Worn brushes or pads                                    | Replace brushes or pads  |
|   | Improper detergent, brush or pad used                   | Contact equipment or application specialist                            |
|   | Low scrub brush down pressure                           | Increase brush pressure  |
|   | Low battery charge                                      | Charge batteries   |
| Brush motors do not run, or runs slowly   | Circuit breaker(s) tripped                              | Reset circuit breaker(s)   |
|   | Loose connection  | Check motor wires and connection                                       |
|   | Faulty brush motor contactor                            | Replace contactor  |
|   | Worn brush motor brushes                                | Replace brushes, check commutator                                      |



## **MACHINE TROUBLESHOOTING**

| <b>PROBLEM</b>                          | <b>CAUSE</b>                                | <b>SOLUTION</b>   |
|---|---|---|
| Little or no solution flow to the floor | Solution tank empty                         | Fill solution tank                                      |
|   | Solution flow turned off or set too low     | Turn on or increase flow setting                        |
|   | Solution strainer plugged                   | Clean solution strainer                                 |
|   | Solution hoses obstructed                   | Clear obstruction from hose                             |
|   | Solution solenoid valve obstructed or stuck | Clean or replace  |
|   | Vent hole in solution tank lid obstructed   | Clear obstruction from vent hole                        |
| No power to machine                     | Battery disconnected                        | Check all battery cable connections                     |
|   | Emergency shut-off activated (If included)  | Reset   |
|   | Battery connections corroded                | Clean connections                                       |
|   | Faulty main contactor                       | Replace contactor                                       |
|   | Faulty key switch                           | Replace switch  |
| Little or no propel                     | Low battery charge                          | Charge batteries  |
|   | Wheels spin                                 | Decrease brush pressure                                 |
|   | Controller overheated                       | Allow cool down period<br>Adjust brush shroud if needed |
|   | Loose connection                            | Check motor wires and connection                        |

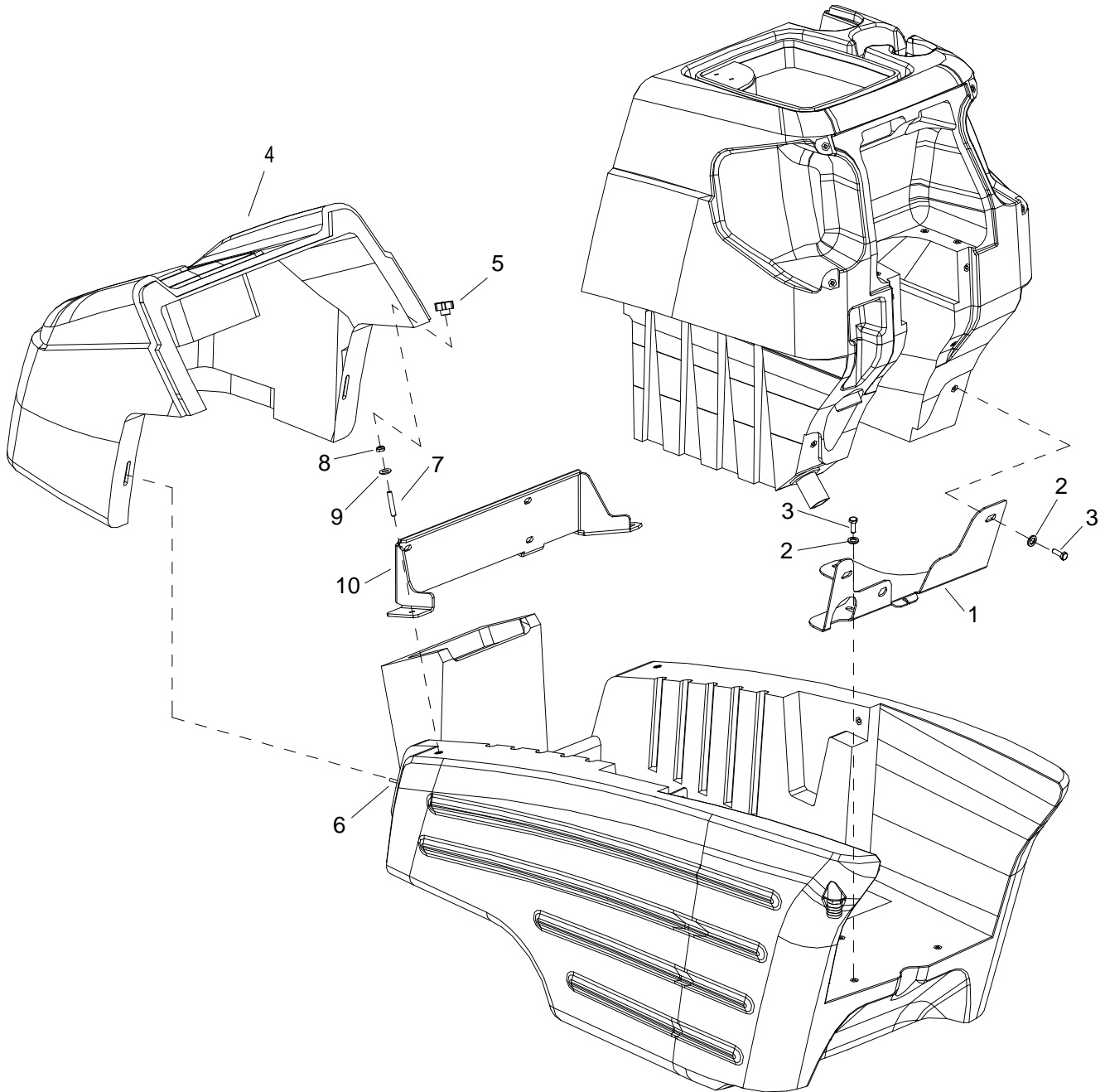
# CONTROL HANDLE



## CONTROL HANDLE

| REF | PART NO. | PRV NO. | QTY | DESCRIPTION                      | SERIAL NO.<br>FROM | NOTES:       |
|-----|----------|---------|-----|----------------------------------|--------------------|--------------|
| 1   | 86238730 | 38307   | 1   | HANDLE, LEFT                     |                    |              |
| 2   | 86257230 | 730125  | 2   | SWITCH, SPST MOM NO W/LEVER      |                    |              |
| 3   | 86254920 | 730153  | 2   | SPRING, COMP .240D X 1.25 X .018 |                    |              |
| 4   | 86231480 | 140504  | 2   | BUTTON, PROPEL                   |                    |              |
| 5   | 86277070 | 70784   | 2   | SCR, 4-40 X 5/8 PPHMS            |                    |              |
| 6   | 86240990 | 41431   | 2   | HOUSING, BUTTON                  |                    |              |
| 7   | 86277060 | 70783   | 4   | SCR, 8-32 X 7/8 PHTC TYPE 23     |                    |              |
| 8   | 86277050 | 70782   | 4   | SCR, 5/16-18 X 3/4 SHCS NP       |                    |              |
| 9   | 86238740 | 38308   | 1   | HANDLE, RIGHT                    |                    |              |
| 10  | 86004120 | 38312   | -   | PROPEL HANDLE ASM, LEFT          |                    | SERVICE ONLY |
| 11  | 86004130 | 38313   | -   | PROPEL HANDLE ASM, RIGHT         |                    | SERVICE ONLY |

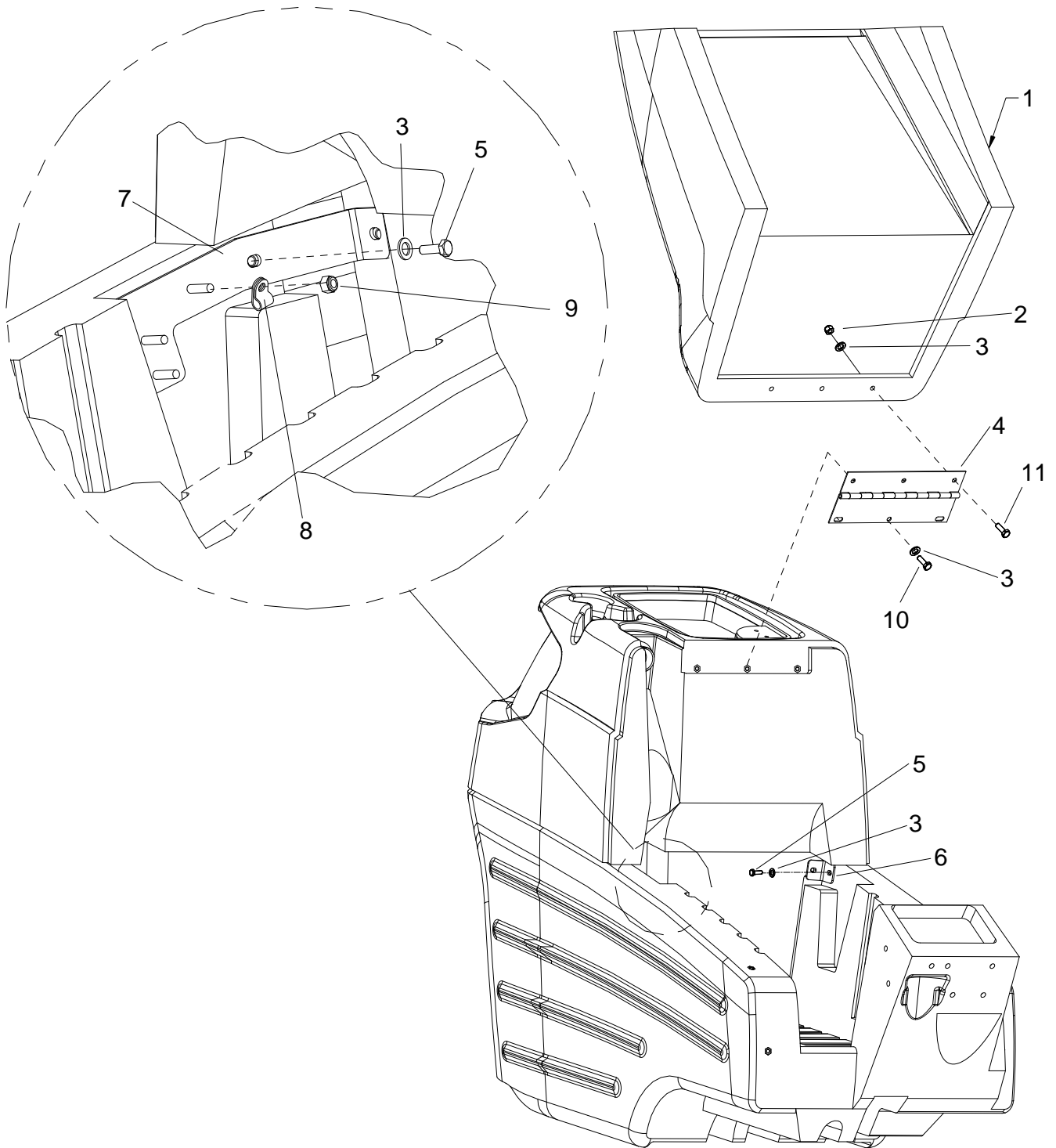
# COVER (FRONT) & TANK MOUNT



## COVER (FRONT) & TANK MOUNT

| REF | PART NO. | PRV NO. | QTY | DESCRIPTION                     | SERIAL NO.<br>FROM | NOTES: |
|-----|----------|---------|-----|---------------------------------|--------------------|--------|
| 1   | 86070150 | 140574  | 1   | BRKT, TANK MOUNT 24V            |                    |        |
| 2   | 86010670 | 87029   | 4   | WASHER, 5/16 FLAT SS            |                    |        |
| 3   | 86276780 | 70728   | 4   | SCR, 5/16-18 X 3/4 HHCS SS      |                    |        |
| 4   | 86062530 | 27925   | 1   | COVER, FRONT, 24V GRY           |                    |        |
| 5   | 86004790 | 48012   | 2   | KNOB, 5/16 -18 4 PRONG          |                    |        |
| 6   | 86276380 | 70639   | 2   | SCR, 5/16-18 X 1.25 SSSCU       |                    |        |
| 7   | 86278080 | 70823   | 2   | SET SCR, 5/16-18 X 1.75 CP SS   |                    |        |
| 8   | 86271840 | 57285   | 2   | NUT, 5/16-18 HEX NYLOCK THIN SS |                    |        |
| 9   | 86010670 | 87029   | 2   | WASHER, 5/16 FLAT SS            |                    |        |
| 10  | 86068150 | 140706  | 1   | BRACKET, TANK SUPPORT           | *                  |        |

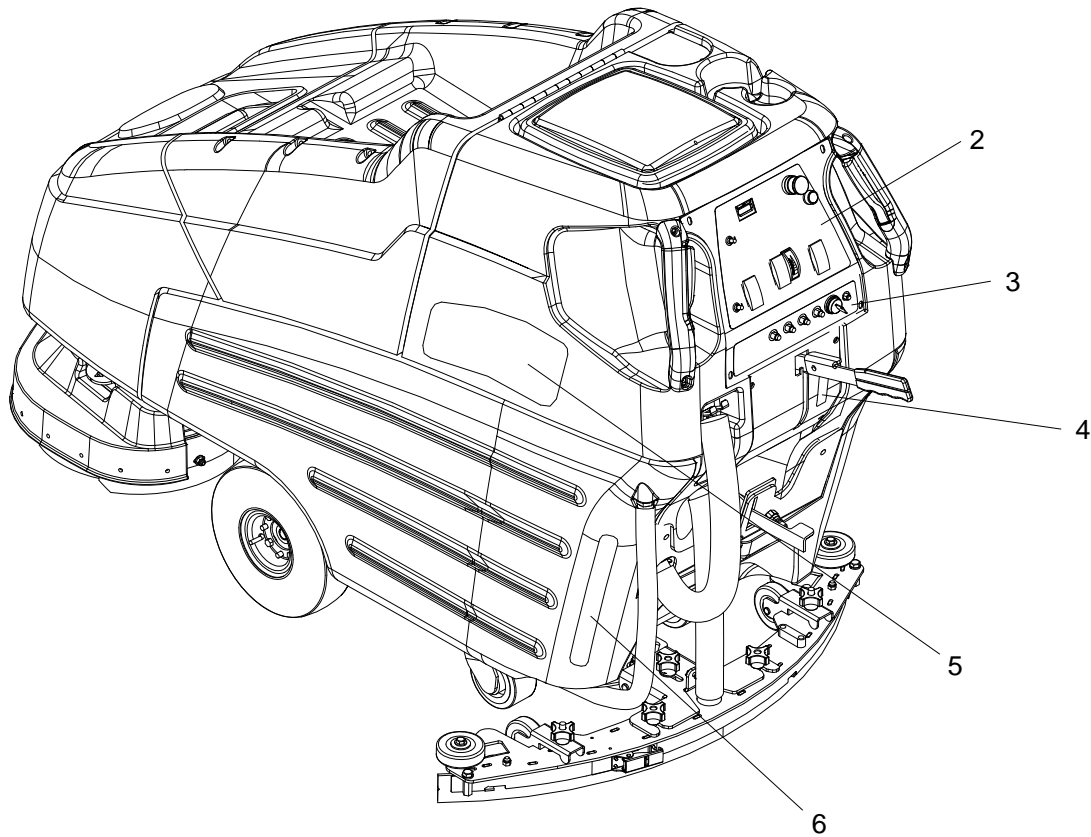
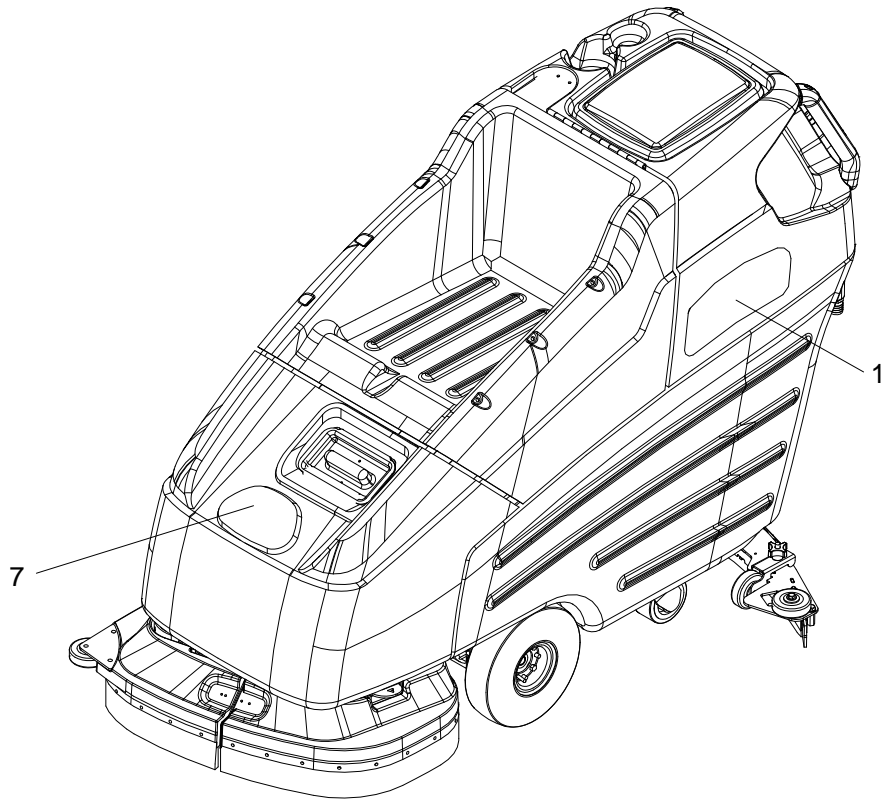
# COVER (TOP) & TANK MOUNT



## COVER (TOP) & TANK MOUNT

| REF | PART NO. | PRV NO. | QTY | DESCRIPTION                     | SERIAL NO.<br>FROM | NOTES:    |
|-----|----------|---------|-----|---------------------------------|--------------------|-----------|
| 1   | 86062540 | 27926   | 1   | COVER, TOP 24V GRY              |                    |           |
| 2   | 86271840 | 57285   | 3   | NUT, 5/16-18 HEX NYLOCK THIN SS |                    |           |
| 3   | 86010670 | 87029   | 10  | WASHER, 5/16 FLAT SS            |                    |           |
| 4   | 86239630 | 41429   | 1   | HINGE, COVER TO TANK            |                    |           |
| 5   | 86276780 | 70728   | 4   | SCR, 5/16-18 X 3/4 HHCS SS      |                    |           |
| 6   | 86073700 | 140484  | 1   | BRACKET, TANK LEFT              |                    |           |
| 7   | 86069630 | 140485  | 1   | BRACKET, TANK RIGHT             |                    |           |
| 8   | 86233390 | 80887   | 1   | CLAMP, 7/8 DIA "P" CUSHIONED    |                    |           |
| 9   | 86271870 | 57290   | 1   | NUT, 1/4-20 HEX NYLOCK THIN SS  |                    |           |
| 10  | 86276490 | 70670   | 3   | SCR, 5/16-18 X 5/8 HHCS SS      |                    |           |
| -   | 86292630 | -       | 1   | NET, CARGO                      |                    | NOT SHOWN |
| 11  | 86276780 | 70728   | 3   | SCR, 5/16-18 X 3/4 HHCS SS      |                    |           |

# DECAL

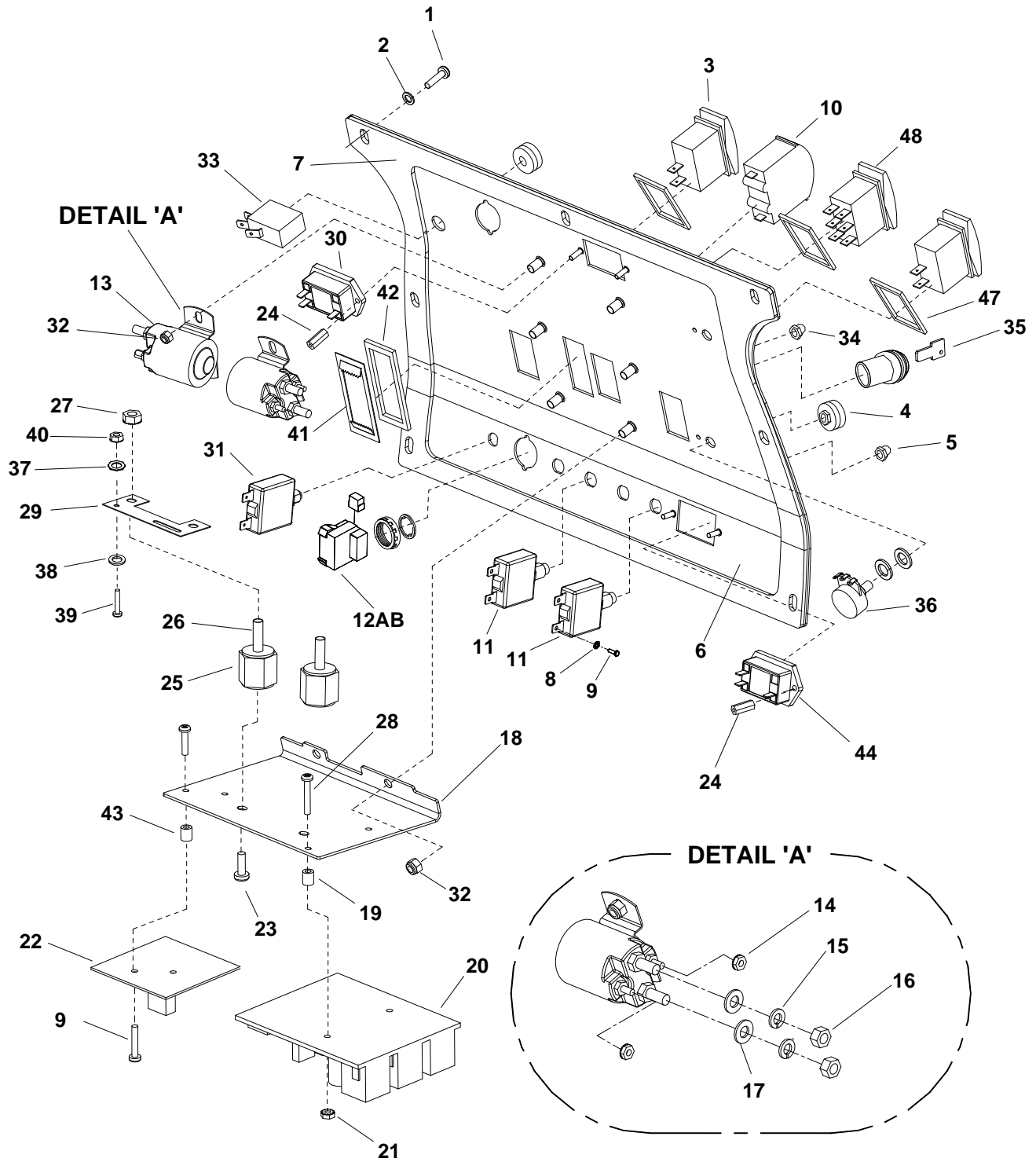




**DECAL**

| REF | PART NO. | PRV NO. | QTY | DESCRIPTION                   | SERIAL NO.<br>FROM | NOTES: |
|-----|----------|---------|-----|-------------------------------|--------------------|--------|
| 1   | 86243560 | 500573  | 1   | LABEL, CUTTER RIGHT           |                    |        |
| 2   | 86243520 | 500564  | 1   | LABEL, ELEC. PANEL 24V DELUXE |                    |        |
| 3   | 86243530 | 500565  | 1   | LABEL, ELEC. PANEL. LOWER 24V |                    |        |
| 4   | 86243600 | 500578  | 1   | LABEL, SQUEEGEE LEVER         |                    |        |
| 5   | 86243550 | 500572  | 1   | LABEL, CUTTER LEFT            |                    |        |
| 6   | 86243180 | 500479  | 1   | LABEL, SOLUTION FILL 24V      |                    |        |
| 7   | 86004970 | 50990   | 1   | LABEL, WINDSOR LOGO DOMED     |                    |        |

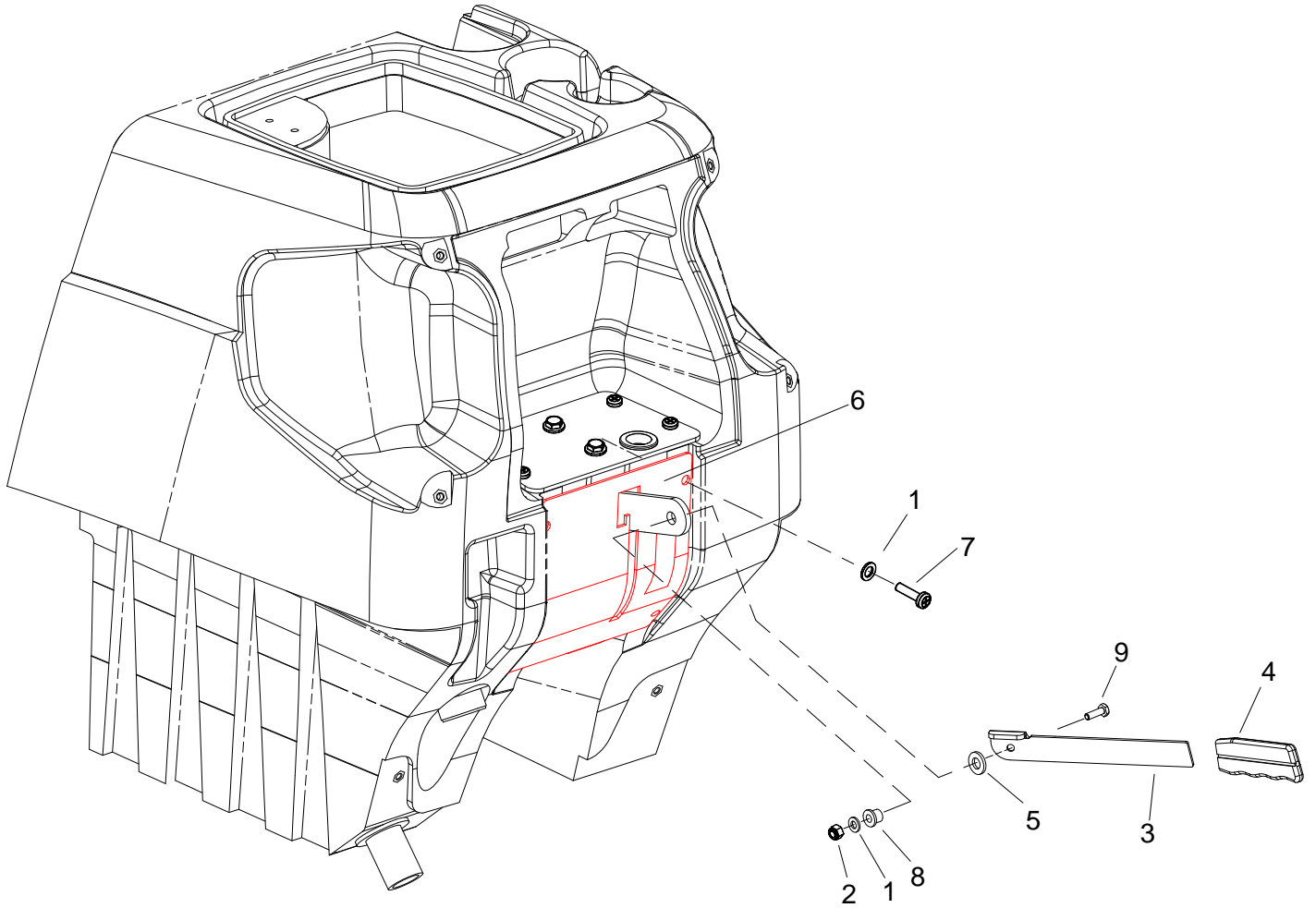
# ELECTRICAL PANEL



## ELECTRICAL PANEL

| REF | PART NO. | PRV NO.   | QTY | DESCRIPTION                           | SERIAL NO.<br>FROM | NOTES:       |
|-----|----------|-----------|-----|---------------------------------------|--------------------|--------------|
| 1   | 86276290 | 70626     | 7   | SCR, #10 X 3/4 PPHST HI-LO BLK        |                    |              |
| 2   | 86294250 | -         | 7   | WASHER, .19 ID X .5 X .09TK BLK       |                    |              |
| 3   | 86007140 | 72130     | 2   | SWITCH, SPST 2-POSITION ROCKER        |                    |              |
| 4   | 86242110 | 48088     | 2   | KNOB, .90 OD X .25 COLLET             |                    |              |
| 5   | 86008900 | 80845     | 4   | BOOT, SEAL-PUSH BUTTON 7/16-28        |                    |              |
| 6   | 86082180 | 62926     | 1   | PLATE, ELEC. PANEL 24V DELUXE         |                    |              |
| 7   | 86237800 | 35261     | 1   | GASKET, ELEC PLATE 24V                |                    |              |
| 8   | 86279300 | 87134     | 8   | WASHER, #6 LOCK                       |                    |              |
| 9   | 86273990 | 70067     | 12  | SCR, 6-32 X 3/8 PPHMS                 |                    |              |
| 10  | 86246940 | 54156     | 1   | METER, 0-50 AMP DC                    |                    |              |
| 11  | 86001910 | 14606     | 4   | BREAKER, 30A 50VDC CIRCUIT            |                    |              |
| 12A | 86007170 | 72159     | 1   | SWITCH KEY TWO POSITION               |                    |              |
| 12B | 86193750 | 32-900205 | -   | SWITCH, PADDLE 2-POSITION             |                    | OPTIONAL     |
| 13  | 86006420 | 67393     | 2   | RELAY, 24VDC 100A                     |                    |              |
| 14  | 86005700 | 57104     | 4   | NUT, 10-32 W/STAR WASHER PLTD         |                    |              |
| 15  | 86279480 | 87166     | 4   | WASHER, 5/16 EXT LOCK PLTD            |                    |              |
| 16  | 86271080 | 57117     | 4   | NUT, 5/16-24 HEX PLTD                 |                    |              |
| 17  | 86010760 | 87142     | 2   | WASHER, .344 X .69 X .066 FLAT PLT    |                    |              |
| 18  | 86082820 | 66353     | 1   | PLATE, ELECT. PANEL, BACK             |                    |              |
| 19  | 86254440 | 73734     | 2   | SPACER, .166 ID X .313 OD X .375 L AL |                    |              |
| 20  | 86002950 | 27695     | 1   | CONTROLLER, 24VDC PROPEL MOTOR        |                    |              |
| 21  | 86270850 | 57026     | 2   | NUT, 8-32 HEX NYLOCK                  |                    |              |
| 22  | 86003250 | 27944     | 1   | CIRCUIT BOARD, SOL FLOAT WIRED        |                    |              |
| 23  | 86276880 | 70751     | 2   | SCR, 1/4-20 X 3/8 HHCS SS             |                    |              |
| 24  | 86255900 | 73538     | 4   | STANDOFF, 6-32 x 1.0 HEX NYL          | 1000099610         |              |
| 25  | 86255910 | 73659     | 2   | STANDOFF, 1/4-20 X 1.0 HEX INS        |                    |              |
| 26  | 86006850 | 70393     | 2   | SET SCR, 1/4-20 X 1.25 L              |                    |              |
| 27  | 86005710 | 57105     | 2   | NUT, 1/4-20 HEX W/STAR WASHER         |                    |              |
| 28  | 86273910 | 70045     | 2   | SCR, 8-32 X 1 PPHMS                   |                    |              |
| 29  | 86253630 | 73987     | 1   | SHUNT, DC AMM. 25 AMP, 50MV           |                    |              |
| 30  | 86005520 | 54145     | 1   | METER, 24V BATTERY CHARGE LEVEL       |                    |              |
| 31  | 86002000 | 14717     | 1   | BREAKER, 3 AMP                        |                    |              |
| 32  | 86271870 | 57290     | 6   | NUT, 1/4-20 HEX NYLOCK THIN SS        |                    |              |
| 33  | 86257030 | 72168     | 1   | SWITCH, MOMENTARY, DPST               |                    |              |
| 34  | 86002010 | 14942     | 1   | BOOT, 3/8 CIRCUIT BREAKER             |                    |              |
| 35  | 86004860 | 48073     | 1   | KEY SWITCH                            |                    | SERVICE ONLY |
| 36  | 86006310 | 66335     | 1   | POTENTIOMETER, 50K OHMS               |                    | SERVICE ONLY |
| 37  | 86279020 | 87026     | 2   | WASHER, #6 LOCK EXT STAR SS           |                    |              |
| 38  | 86279600 | 87187     | 2   | WASHER, #6 FLAT BRASS                 |                    |              |
| 39  | 86276250 | 70615     | 2   | SCR, 6-32 X 3/8 SRHMS BR              |                    |              |
| 40  | 86271790 | 57256     | 2   | NUT, 6-32 HEX BRASS                   |                    |              |
| 41  | 86249290 | 62283     | 1   | PLATE, METER RETAINING                |                    |              |
| 42  | 86237830 | 35264     | 1   | GASKET, AMP METER                     |                    |              |
| 43  | 86255890 | 730164    | 2   | STANDOFF, 6-32 X 1.0 HEX NYL          |                    |              |
| 44  | 86005530 | 54154     | 1   | METER, 12-48 VDC LED HOUR             | 1000099610         |              |
| 45  | 86267340 | 880269    | 2   | WIRE, 22" RED/18 76040 X 76075        | 1000099610         | NOT SHOWN    |
| 46  | 86267360 | 880271    | 1   | WIRE, 14" BLK/18 76011 X 76040        | 1000099610         | NOT SHOWN    |
| 47  | 86238030 | 36235     | 3   | GASKET, SWITCH CARLING                |                    |              |
| 48  | 86007210 | 72165     | 1   | SWITCH, DPDT 3-POSITION ROCKER        |                    |              |

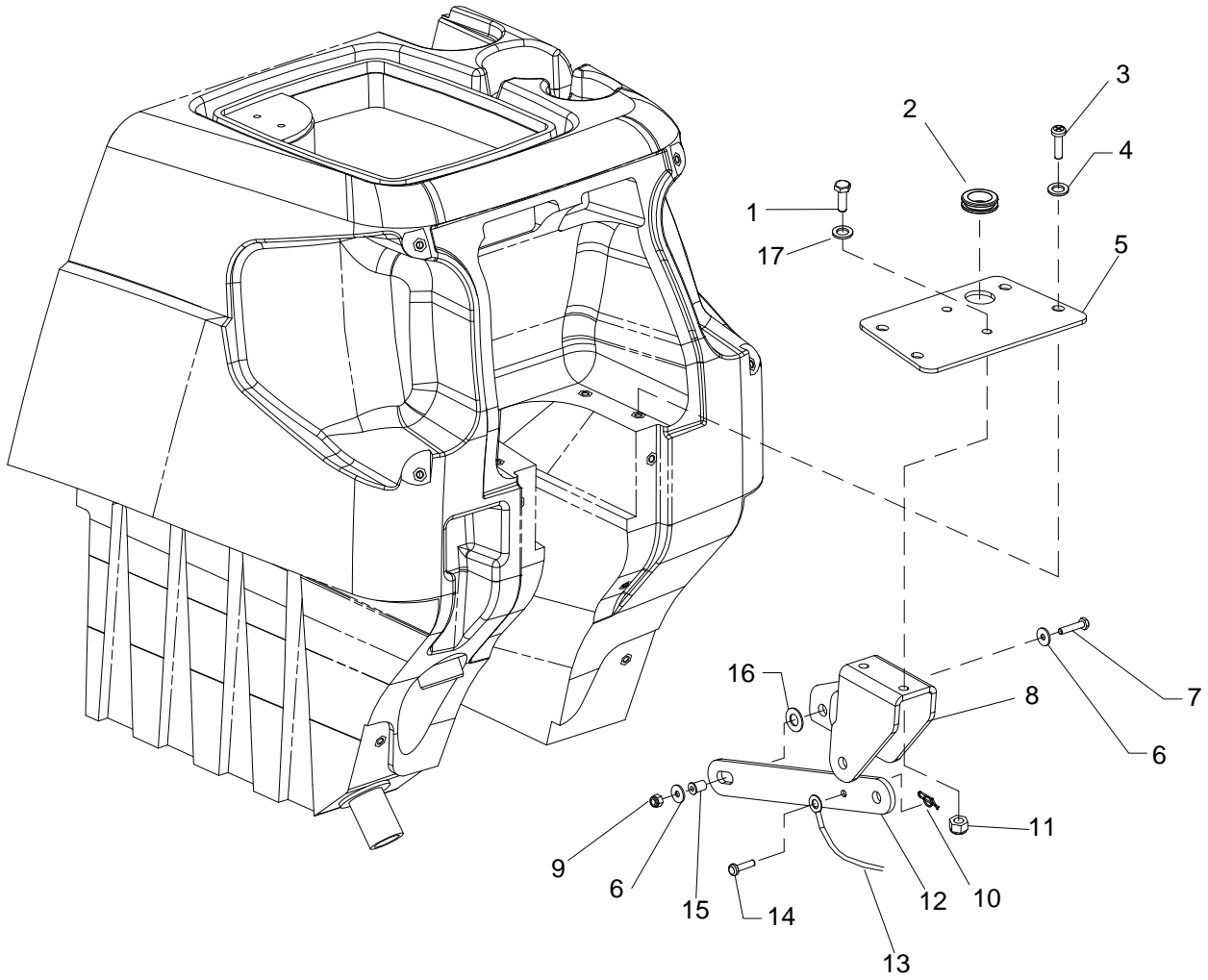
# LIFT HANDLE



**LIFT HANDLE**

| REF | PART NO. | PRV NO. | QTY | DESCRIPTION                        | SERIAL NO.<br>FROM | NOTES: |
|-----|----------|---------|-----|------------------------------------|--------------------|--------|
| 1   | 86010670 | 87029   | 5   | WASHER, 5/16 FLAT SS               |                    |        |
| 2   | 86271840 | 57285   | 1   | NUT, 5/16-18 HEX NYLOCK THIN SS    |                    |        |
| 3   | 86066860 | 140537  | 1   | BAR, SQG LIFT SWING                |                    |        |
| 4   | 86238360 | 36215   | 1   | GRIP, 3/16 X 1.0 ORANGE            |                    |        |
| 5   | 86259400 | 87205   | 1   | WASHER, THRUST .51ID X 1OD BRO     |                    |        |
| 6   | 86082390 | 62961   | 1   | PLATE, LEVER NOTCH 24V DLX         |                    |        |
| 7   | 86276780 | 70728   | 4   | SCR, 5/16-18 X 3/4 HHCS SS         |                    |        |
| 8   | 86228840 | 09124   | 1   | BEARING, FLANGED .314 ID X .502 OD |                    |        |
| 9   | 86006930 | 70514   | 1   | SCR, 5/16-18 X 1.00 BSHCS SS       |                    |        |

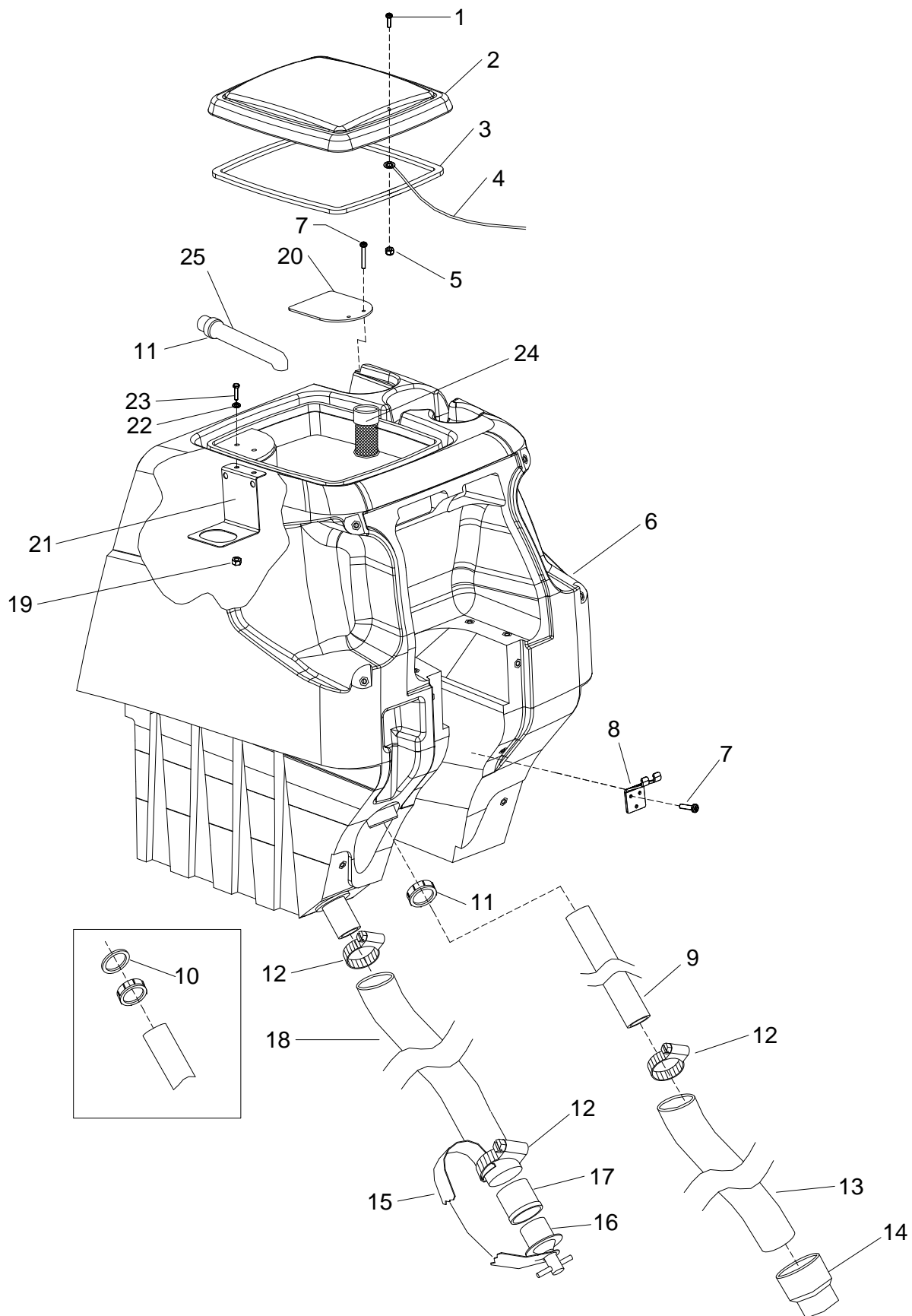
# LIFT HANDLE LINKAGE



## LIFT HANDLE LINKAGE

| REF | PART NO. | PRV NO. | QTY | DESCRIPTION                       | SERIAL NO.<br>FROM | NOTES: |
|-----|----------|---------|-----|-----------------------------------|--------------------|--------|
| 1   | 86276920 | 70755   | 2   | SCR, 3/8-16 X 1 HHCS SS NP        |                    |        |
| 2   | 86238430 | 36191   | 1   | GROMMET, 1.00ID 3/16 GRIP         |                    |        |
| 3   | 86276780 | 70728   | 4   | SCR, 5/16-18 X 3/4 HHCS SS        |                    |        |
| 4   | 86010670 | 87029   | 4   | WASHER, 5/16 FLAT SS              |                    |        |
| 5   | 86082270 | 62946   | 1   | PLATE, PIVOT                      |                    |        |
| 6   | 86010630 | 87013   | 2   | WASHER, 1/4ID X 5/8OD SS          |                    |        |
| 7   | 86273820 | 70019   | 1   | SCR, 1/4-20 X 1.25 HHCS SS        |                    |        |
| 8   | 86069610 | 140482  | 1   | BRACKET, SCRUB DECK PIVOT 24V     |                    |        |
| 9   | 86271870 | 57290   | 1   | NUT, 1/4-20 HEX NYLOCK THIN SS    |                    |        |
| 10  | 86008650 | 80604   | 1   | COTTER, 1/4" RING                 |                    |        |
| 11  | 86005630 | 57022   | 2   | NUT, 3/8-16 HEX NYLOCK THIN SS    |                    |        |
| 12  | 86077480 | 51365   | 1   | LINK, SQG LIFT FIXED              |                    |        |
| 13  | 86003240 | 27942   | 1   | CABLE, .125 X 26.5 0707 SS LB E-E |                    |        |
| 14  | 86009560 | 82053   | 1   | PIN, CLEVIS 1/4" X 5/8" PLTD      |                    |        |
| 15  | 86228900 | 09138   | 1   | BEARING, FLANGED .252ID X .503OD  |                    |        |
| 16  | 86259400 | 87205   | 1   | WASHER, THRUST .51ID X 1OD BRO    |                    |        |
| 17  | 86278910 | 87003   | 2   | WASHER, 3/8 ID X 7/8 OD SS        |                    |        |

# RECOVERY TANK

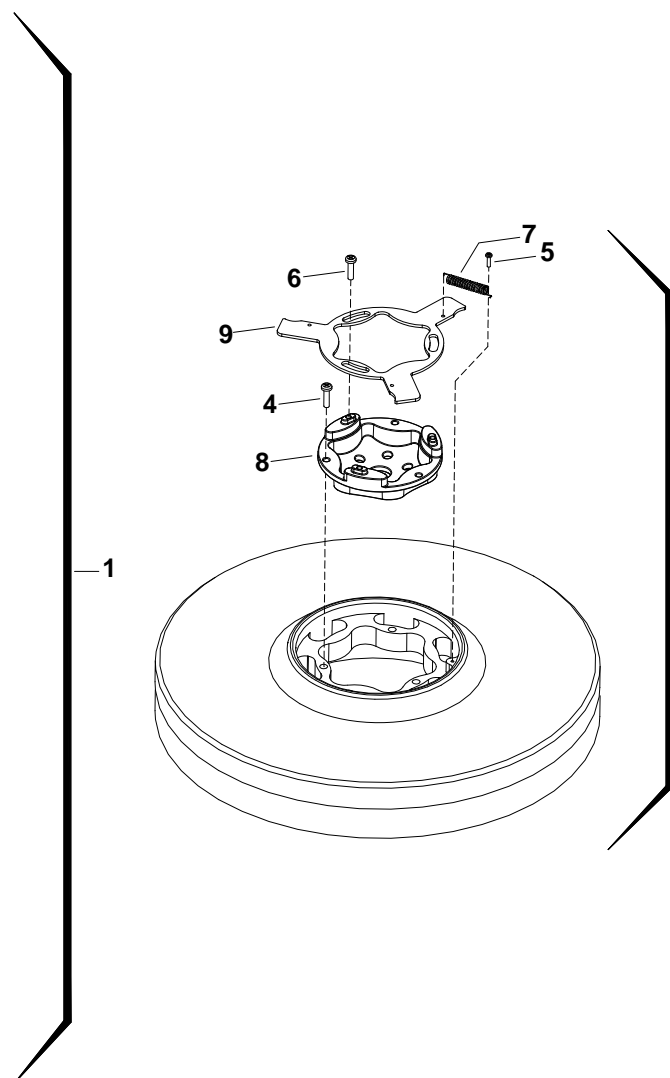
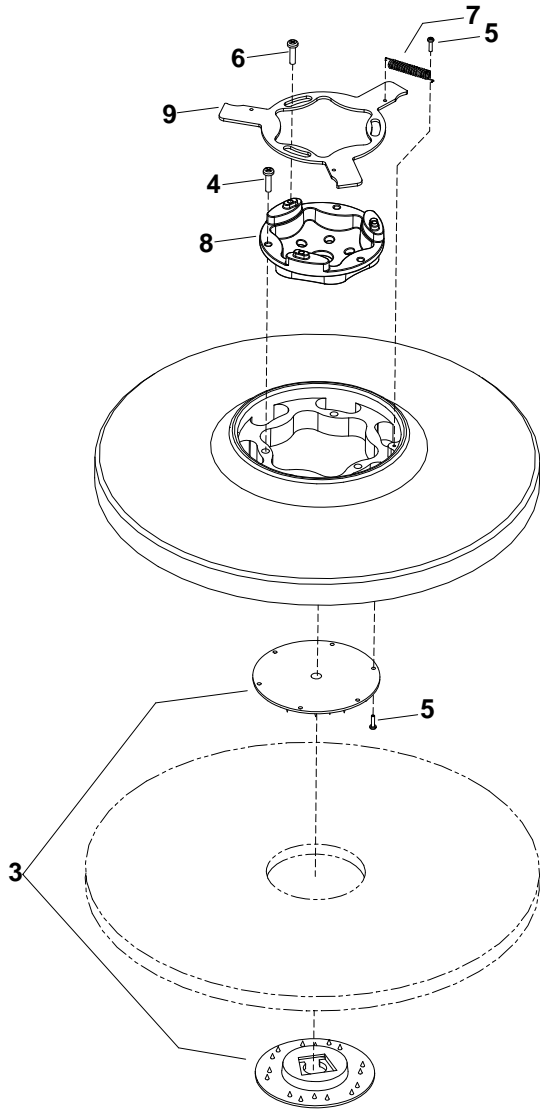




## RECOVERY TANK

| REF | PART NO. | PRV NO. | QTY | DESCRIPTION                    | SERIAL NO.<br>FROM | NOTES: |
|-----|----------|---------|-----|--------------------------------|--------------------|--------|
| 1   | 86274220 | 70134   | 1   | SCR, 6-32 X 5/8 PPHMS SS       |                    |        |
| 2   | 86003340 | 28062   | 1   | DOME, 13 X 11                  |                    |        |
| 3   | 86003990 | 35250   | 1   | GASKET, DOME                   |                    |        |
| 4   | 86246080 | 51368   | 1   | LANYARD, 18.0 W/ LOOP & EYE    |                    |        |
| 5   | 86014810 | -       | 1   | NUT, 6-32 ACORN SS             |                    |        |
| 6   | 86032540 | 75371   | 1   | TANK, REC, 24V, GRY            |                    |        |
| 7   | 86276290 | 70626   | 5   | SCR, #10 X 3/4 PPHST HI-LO BLK |                    |        |
| 8   | 86001190 | 140133  | 1   | BRACKET, RECOVERY HOSE MTG     |                    |        |
| 9   | 86089630 | 78490   | 1   | TUBE, 1.5 PVC X 24.0           |                    |        |
| 10  | 86237650 | 35219   | 2   | GASKET, 1-1/2 COMPRESSION      |                    |        |
| 11  | 86372080 | -       | 2   | NUT, 1.5 SLIP JOINT            |                    |        |
| 12  | 86002400 | 20064   | 3   | CLAMP, 2.0" WORM GEAR X .312W  |                    |        |
| 13  | 86004180 | 39315   | 1   | HOSE, 1.5 BLK VAC X 28"        |                    |        |
| 14  | 86002840 | 27282   | 1   | CUFF, 1.5 SLIP X 1.5 HOSE      |                    |        |
| 15  | 86008400 | 78499   | 1   | TETHER, DRAIN PLUG             |                    |        |
| 16  | 86006240 | 66227   | 1   | PLUG, DRAIN HOSE               |                    |        |
| 17  | 86004450 | 40019   | 1   | HOSEBARB, 1.5 DOUBLE MCHD      |                    |        |
| 18  | 86004260 | 39472   | 1   | HOSE, 1.5 X 24.0 DRAIN         |                    |        |
| 19  | 86271870 | 57290   | 2   | NUT, 1/4-20 HEX NYLOCK THIN SS |                    |        |
| 20  | 86075540 | 27941   | 1   | COVER, VACUUM HOSE             |                    |        |
| 21  | 86069780 | 140511  | 1   | BRACKET, VAC INTAKE            |                    |        |
| 22  | 86010630 | 87013   | 2   | WASHER, 1/4ID X 5/8OD SS       |                    |        |
| 23  | 86273810 | 70018   | 2   | SCR, 1/4-20 X 1 HHCS SS        |                    |        |
| 24  | 86236410 | 34394   | 1   | FLOAT, VAC SHUT OFF            |                    |        |
| 25  | 86257860 | 78390   | 1   | TUBE, 1.5 WASTE                |                    |        |

# SCRUB BRUSH/PAD DRIVER



2A  
2B  
2C

## SCRUB BRUSH/PAD DRIVER

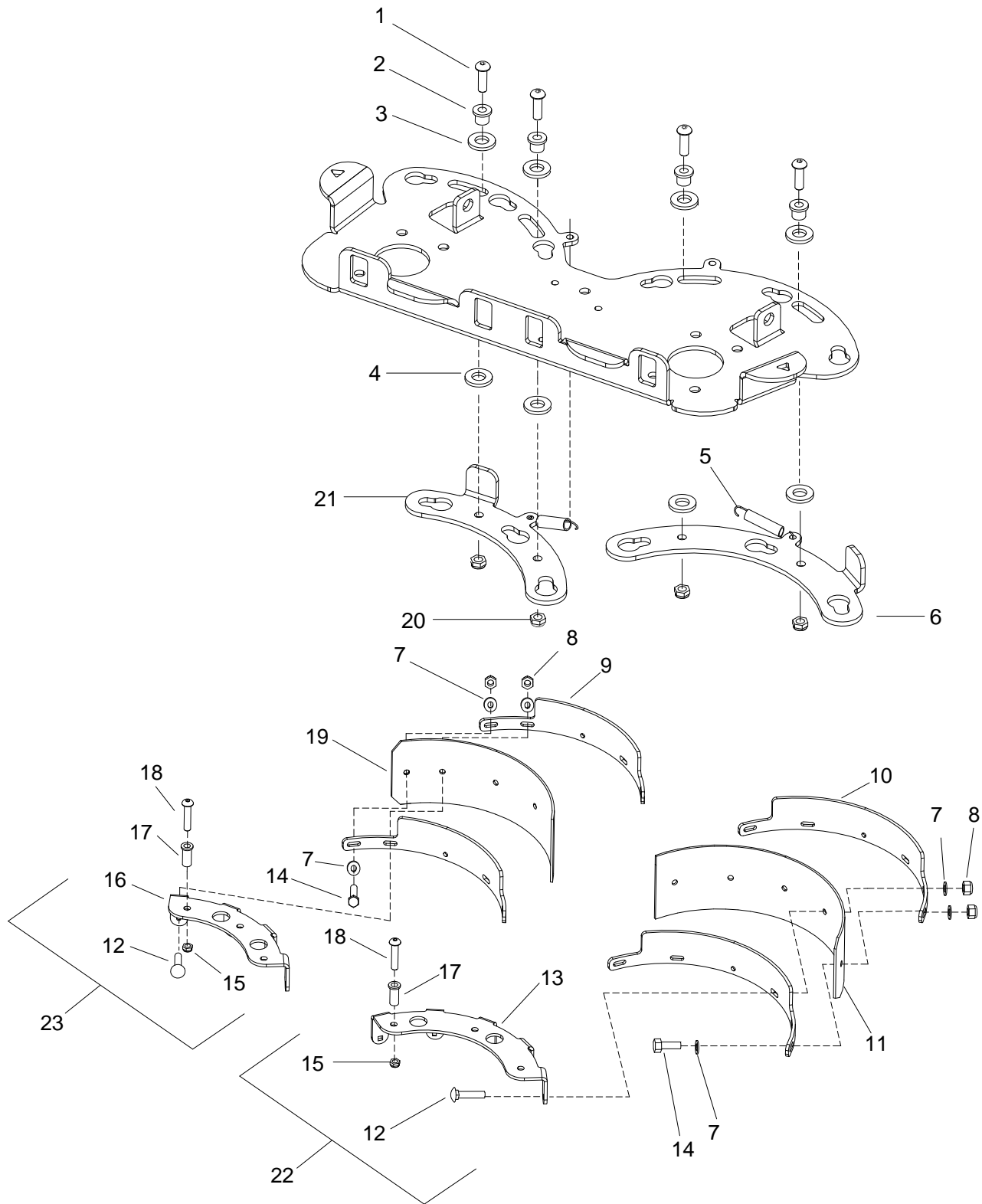
### 26 IN DISK:

| REF | PART NO. | PRV NO. | QTY | DESCRIPTION                         | SERIAL NO.<br>FROM | NOTES: |
|-----|----------|---------|-----|-------------------------------------|--------------------|--------|
| 1   | 86000210 | 02406   | 2   | PAD DRIVER, 13" SD                  |                    |        |
| 2A  | 86000220 | 02407   | 2   | BRUSH, 13" POLYPROPYLENE SD         |                    |        |
| 2B  | 86000230 | 02408   | 2   | BRUSH, 13" NYLON SD                 |                    |        |
| 2C  | 86000240 | 02410   | 2   | BRUSH, 13" MILD GRIT SD             |                    |        |
| 3   | 86005070 | 51284   | 1   | LOCK, PAD CENTER SNAP, TWO STEP     |                    |        |
| 4   | 86276590 | 70695   | 3   | SCR, 12-24 X 1.0 PPHMS SS           |                    |        |
| 5   | 86276580 | 70694   | 4   | SCR, 8-32 X 3/4 PTHMS               |                    |        |
| 6   | 86276600 | 70696   | 3   | SCR, 10-32 X 3/4 PTHMS              |                    |        |
| 7   | 86007910 | 73817   | 1   | SPRING, EX .31 D X 2.0 L X .03 W SS |                    |        |
| 8   | 86007280 | 730011  | 1   | SOCKET, DRIVE BRUSH                 |                    |        |
| 9   | 86005940 | 62852   | 1   | PLATE, BRUSH RELEASE                |                    |        |

### 32 IN DISK:

| REF | PART NO. | PRV NO. | QTY | DESCRIPTION                          | SERIAL NO.<br>FROM | NOTES: |
|-----|----------|---------|-----|--------------------------------------|--------------------|--------|
| 1   | 86000290 | 02418   | 2   | PAD DRIVER, 16" SD                   |                    |        |
| 2A  | 86000300 | 02419   | 2   | BRUSH, 16" POLYPROPYLENE SD          |                    |        |
| 2B  | 86000310 | 02420   | 2   | BRUSH, 16" NYLON SD                  |                    |        |
| 2C  | 86000320 | 02421   | 2   | BRUSH, 16" NYLON POLISH SD           |                    |        |
| 2D  | 86000330 | 02422   | 2   | BRUSH, 16" MILD GRIT SD              |                    |        |
| 2E  | 86000340 | 02423   | 2   | BRUSH, 16" SUPER AGG SD              |                    |        |
| 3   | 86005070 | 51284   | 1   | LOCK, PAD CENTER SNAP, TWO STEP      |                    |        |
| 4   | 86276590 | 70695   | 3   | SCR, 12-24 X 1.0 PPHMS SS            |                    |        |
| 5   | 86276580 | 70694   | 4   | SCR, 8-32 X 3/4 PTHMS                |                    |        |
| 6   | 86276600 | 70696   | 3   | SCR, 10-32 X 3/4 PTHMS               |                    |        |
| 7   | 86007910 | 73817   | 1   | SPRING, EXT .31 D X 2.0 L X .03 W SS |                    |        |
| 8   | 86007280 | 730011  | 1   | SOCKET, DRIVE BRUSH                  |                    |        |
| 9   | 86005940 | 62852   | 1   | PLATE, BRUSH RELEASE                 |                    |        |

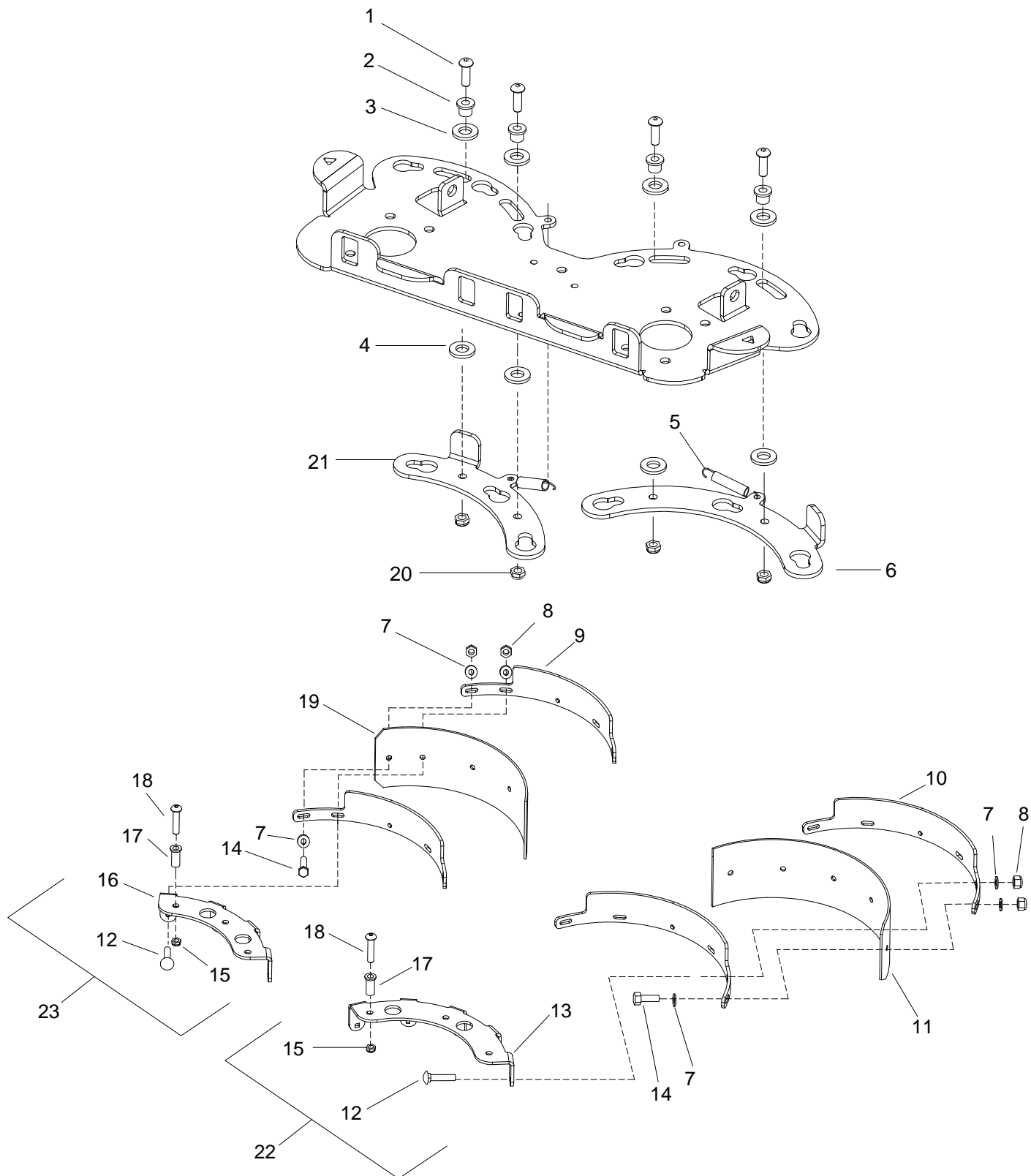
# SCRUB DECK AQUA-MIZER-26IN SCRUBHEAD



## SCRUB DECK AQUA-MIZER-26IN SCRUBHEAD

| REF | PART NO. | PRV NO. | QTY | DESCRIPTION                        | SERIAL NO.<br>FROM | NOTES:      |
|-----|----------|---------|-----|------------------------------------|--------------------|-------------|
| 1   | 86006930 | 70514   | 4   | SCR, 5/16-18 X 1.00 BSHCS SS       |                    |             |
| 2   | 86228840 | 09124   | 4   | BEARING, FLANGED .314 ID X .502 OD |                    |             |
| 3   | 86259420 | 87232   | 4   | WASHER, THRUST .51 ID X 1 OD BRO   |                    |             |
| 4   | 86259400 | 87205   | 4   | WASHER, THRUST .51 ID X 1 OD BRO   |                    |             |
| 5   | 86255060 | 73426   | 2   | SPRING, EXT. .43D X 2.50L X .047W  |                    |             |
| 6   | 86082370 | 62957   | 1   | PLATE, AQ LOCK 3 13 IN             |                    |             |
| 7   | 86010630 | 87013   | 13  | WASHER, 1/4 ID C 5/8 OD SS         |                    |             |
| 8   | 86271870 | 57290   | 11  | NUT, 1/4-20 HEX NYLOCK THIN SS     |                    |             |
| 9   | 86255990 | 62939   | 2   | STRAP, AQ, BACK,R 16 INCH          |                    |             |
| 10  | 86256000 | 62940   | 2   | STRAP, AQ, BACK, L 13 IN           |                    |             |
| 11A | 86001410 | 140507  | 1   | BLADE, 13 LEFT                     |                    |             |
| 11B | 86135150 | 730428  | 1   | BLADE, 13 IN LT URETHANE           |                    |             |
| 12  | 86276960 | 70773   | 9   | SCR, 1/4-20 X 1 CARRIAGE SS        |                    |             |
| 13  | 86249530 | 62937   | 1   | PLATE, AQ ATTACH L 13 IN           |                    |             |
| 14  | 86273780 | 70015   | 2   | SCR, 1/4-20 X 3/4 HHCS SS NP       |                    |             |
| 15  | 86005630 | 57022   | 6   | NUT, 3/8-16 HEX NYLOCK THIN SS     |                    |             |
| 16  | 86249540 | 62938   | 1   | PLATE, AQ, ATTACH R 13 IN          |                    |             |
| 17  | 86228910 | 09139   | 6   | BEARING, FLANGED .377 ID C .502 OD |                    |             |
| 18  | 86276860 | 70747   | 6   | SCR, 3/8-16 X 1.75 BSHCS SS        |                    |             |
| 19A | 86001400 | 140506  | 1   | BLADE, 13 IN RIGHT                 |                    |             |
| 19B | 86135140 | 730427  | 1   | BLADE, 13IN RT URETHANE            |                    |             |
| 20  | 86271840 | 57285   | 4   | NUT, 5/16-18 HEX NYLOCK THIN SS    |                    |             |
| 21  | 86082380 | 62958   | 1   | PLATE, AQ LOCK R 13 IN             |                    |             |
| 22  | 86024970 | 47397   | -   | AQUA-MIZER 26" SCRUBHEAD LEFT      |                    | SERVICE ASM |
| 23  | 86024980 | 47400   | -   | AQUA-MIZER 26" SCRUBHEAD RIGHT     |                    | SERVICE ASM |

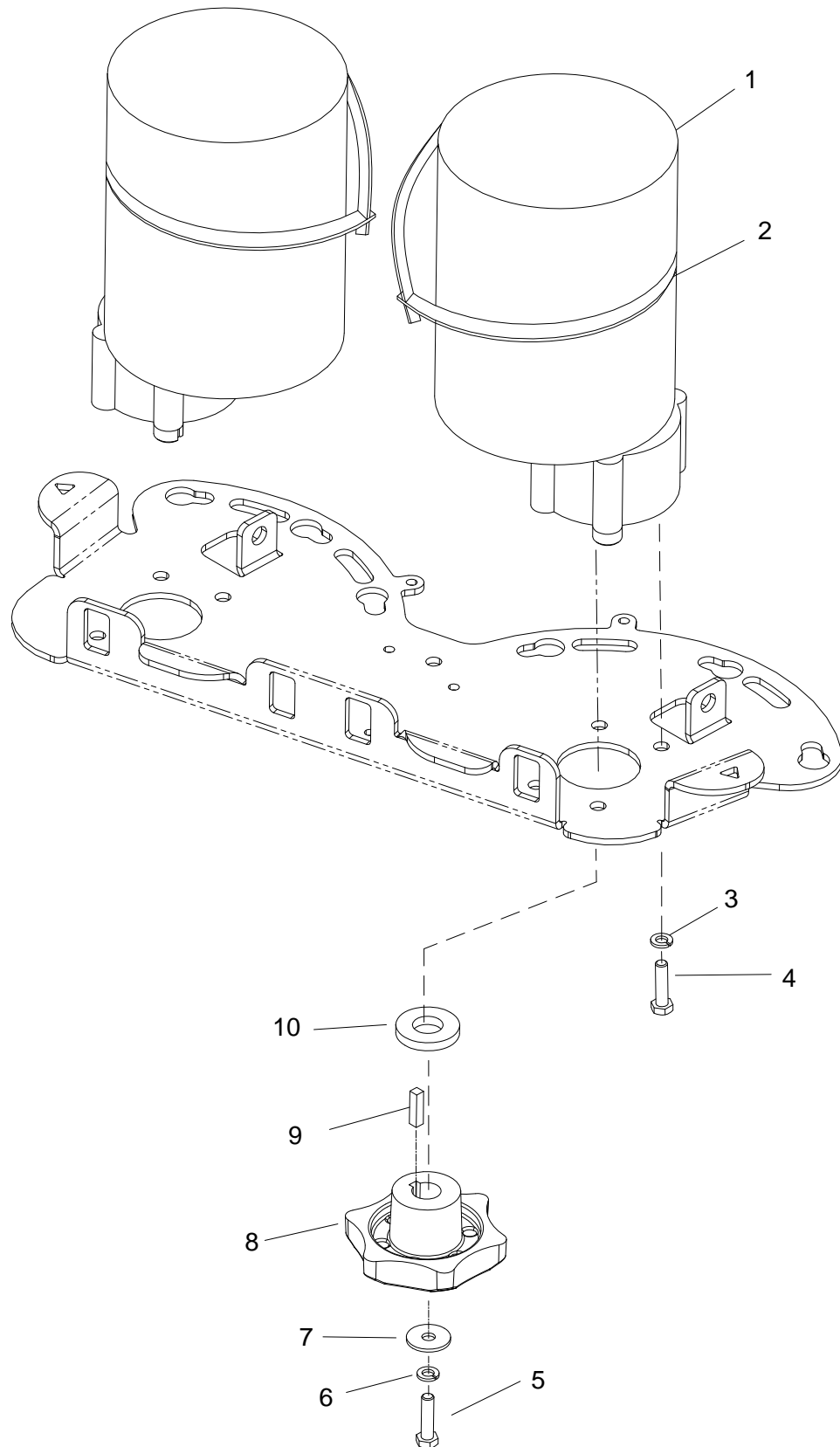
# SCRUB DECK AQUA-MIZER-32IN SCRUBHEAD



## SCRUB DECK AQUA-MIZER-32IN SCRUBHEAD

| REF | PART NO. | PRV. NO | QTY | DESCRIPTION                        | SERIAL NO.<br>FROM | NOTES:      |
|-----|----------|---------|-----|------------------------------------|--------------------|-------------|
| 1   | 86006930 | 70514   | 4   | SCR, 5/16-18 X 1.00 BSHCS SS       |                    |             |
| 2   | 86228840 | 09124   | 4   | BEARING, FLANGED .314 ID X .502 OD |                    |             |
| 3   | 86259420 | 87232   | 4   | WASHER, THRUST .51 ID X 1 OD BRO   |                    |             |
| 4   | 86259400 | 87205   | 4   | WASHER, THRUST .51 ID X 1 OD BRO   |                    |             |
| 5   | 86255060 | 73426   | 2   | SPRING, EXT. .43D X 2.50L X .047W  |                    |             |
| 6   | 86249590 | 66374   | 1   | PLATE, AQ LOCK LEFT 16 IN          |                    |             |
| 7   | 86010630 | 87013   | 13  | WASHER, 1/4 ID C 5/8 OD SS         |                    |             |
| 8   | 86271870 | 57290   | 11  | NUT, 1/4-20 HEX NYLOCK THIN SS     |                    |             |
| 9   | 86256020 | 730131  | 2   | STRAP, AQ, BACK,R 16 INCH          |                    |             |
| 10  | 86256010 | 730130  | 2   | STRAP, AQ, BACK, L 16 INCH         |                    |             |
| 11A | 86001430 | 140528  | 1   | BLADE, AQ LEFT 16 INCH             |                    |             |
| 11B | 86135160 | 730429  | 1   | BLADE, AQ LT 16 INCH URETHANE      |                    |             |
| 12  | 86273780 | 70015   | 2   | SCR, 1/4-20 X 3/4 HHCS SS          |                    |             |
| 13  | 86082870 | 66370   | 1   | PLATE, AQ ATTACH L, 16"            |                    |             |
| 14  | 86276960 | 70773   | 9   | SCR, 1/4-20 X 1 CARRIAGE SS        |                    |             |
| 15  | 86005630 | 57022   | 6   | NUT, 3/8-16 HEX NYLOCK THIN SS     |                    |             |
| 16  | 86082880 | 66371   | 1   | PLATE, AQ, ATTACH R 16 IN          |                    |             |
| 17  | 86228910 | 09139   | 6   | BEARING, FLANGED .377 ID C .502 OD |                    |             |
| 18  | 86276860 | 70747   | 6   | SCR, 3/8-16 X 1.75 BSHCS SS        |                    |             |
| 19A | 86135140 | 140527  | 1   | BLADE, AQ RIGHT 16 INCH            |                    |             |
| 19B | 86135170 | 730430  | 1   | BLADE, AQ RT 16 INCH URETHANE      |                    |             |
| 20  | 86271840 | 57285   | 4   | NUT, 5/16-18 HEX NYLOCK THIN SS    |                    |             |
| 21  | 86249600 | 66375   | 1   | PLATE, AQ LOCK RIGHT 16 IN         |                    |             |
| 22  | 86024960 | 47396   | -   | AQUA-MIZER 32" SCRUBHEAD LEFT      |                    | SERVICE ASM |
| 23  | 86004700 | 47401   | -   | AQUA-MIZER 32" SCRUBHEAD RIGHT     |                    | SERVICE ASM |

# SCRUB DECK MOTORS

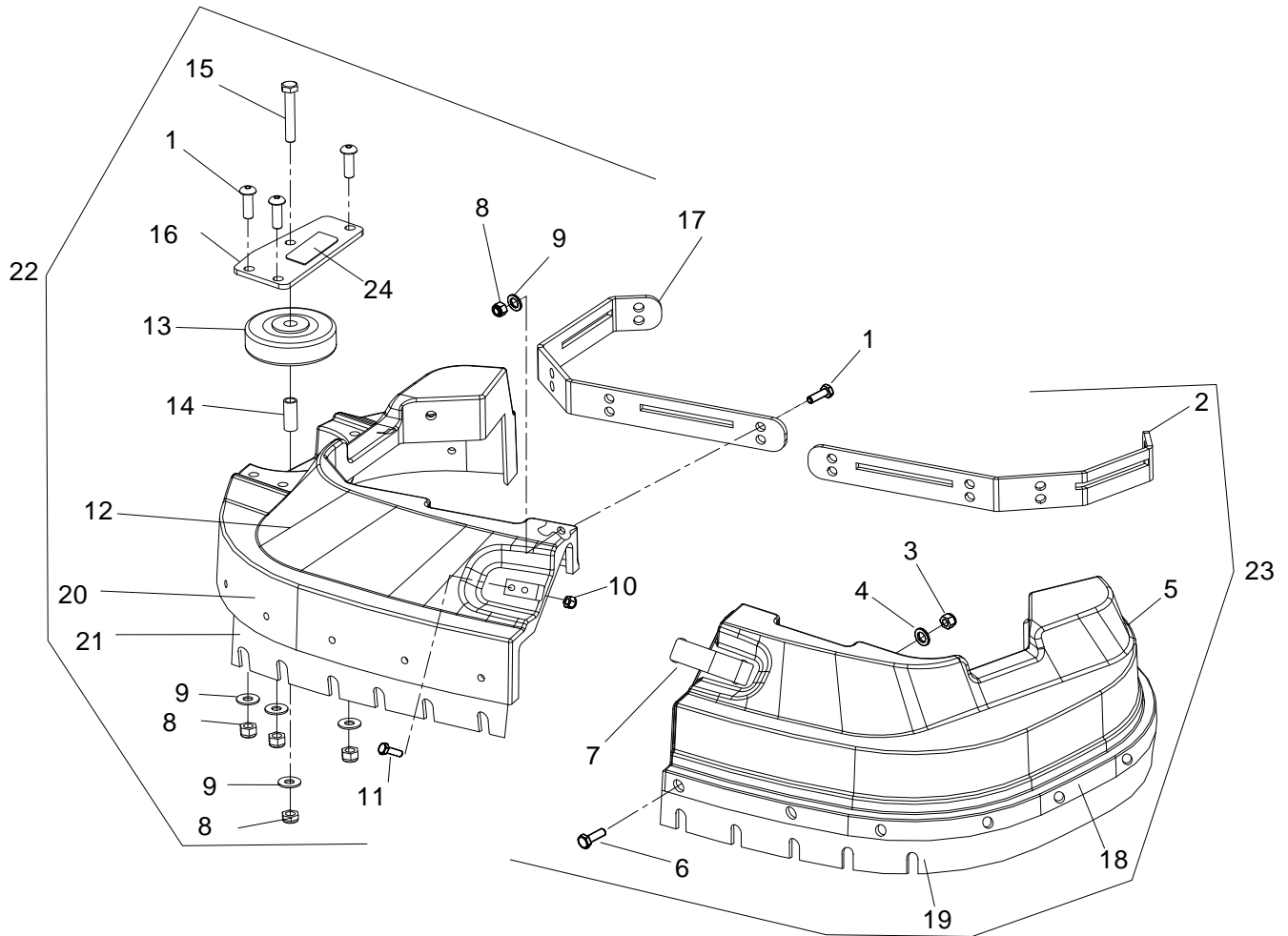




## SCRUB DECK MOTORS

| REF | PART NO. | PRV NO. | QTY | DESCRIPTION                            | SERIAL NO.<br>FROM | NOTES:             |
|-----|----------|---------|-----|--|--------------------|--------------------|
| 1   | 86005320 | 53630   | 2   | MOTOR ASM, 24VDC 200RPM GEAR           |                    |                    |
| 1A  | 86001890 | 14418   | -   | BRUSH SET, 53632 ASI                   |                    | SERVICE ONLY       |
| 2   | 86002830 | 27196   | 2   | CABLE TIE, .375 X 24.7                 |                    |                    |
| 3   | 86010790 | 87163   | 8   | WASHER, 3/8 SPLIT LOCK PLTD            |                    |                    |
| 4   | 86276970 | 70774   | 8   | SCR, 3/8-16 X 3/4 HHCS SS              |                    |                    |
| 5   | 86007020 | 70673   | 2   | SCR, 5/16-18 X 1.25 HHCS SS            |                    |                    |
| 6   | 86279130 | 87083   | 2   | WASHER, 5/16 SPLIT LOCK PLTD           |                    |                    |
| 7   | 86279630 | 87212   | 2   | WASHER, .344ID X 1.13OD X .09T<br>PLTD |                    |                    |
| 8   | 86003420 | 29220   | 2   | DRIVER, BRUSH SD                       |                    |                    |
| 9   | 86004810 | 48040   | 2   | KEY, 1/4 SQ. X 1.00                    |                    | SUPPLIED W/<br>MTR |
| 10  | 86279640 | 87213   | 2   | WASHER, .78ID X 1.63OD X .25T<br>PLTD  |                    |                    |

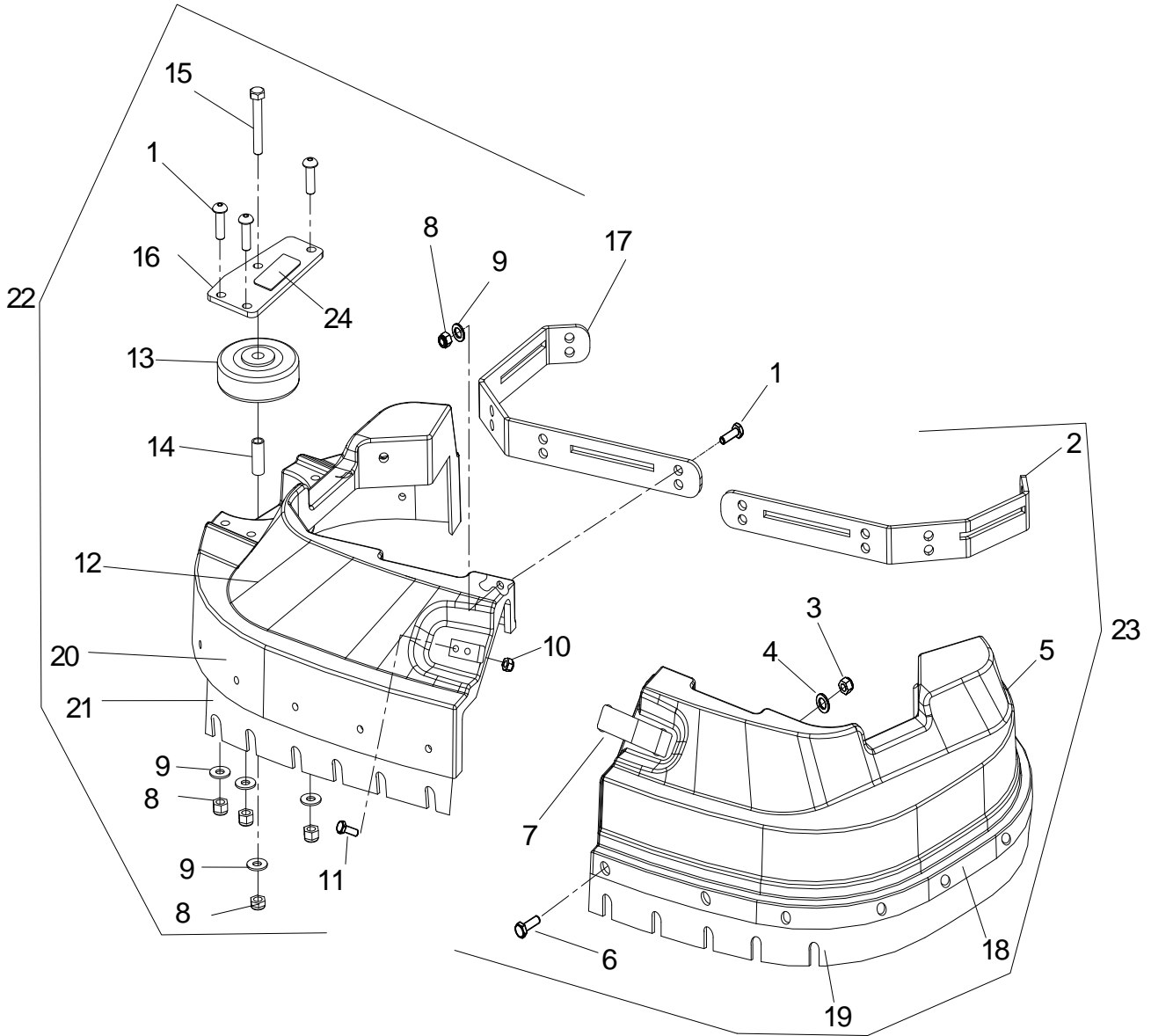
# SCRUB DECK SKIRT



## SCRUB DECK SKIRT-26IN SCRUBHEAD

| REF | PART NO. | PRV. NO   | QTY | DESCRIPTION                     | SERIAL NO.<br>FROM | NOTES:       |
|-----|----------|-----------|-----|---------------------------------|--------------------|--------------|
| 1   | 86290040 | -         | 10  | SCR, 5/16-18 X 3/4 BSHCS SS     |                    |              |
| 2   | 86069650 | 140488    | 1   | BRACKET, SHROUD LEFT            |                    |              |
| 3   | 86271900 | 57294     | 19  | NUT, 10-24 HEX NYLOCK THIN SS   | 1000094309         |              |
| 4   | 86010650 | 87018     | 19  | WASHER, #10 X 9/16 ODS          |                    |              |
| 5   | 86062940 | 730113    | 1   | SHROUD, SCRUBDECK LEFT          |                    |              |
| 6   | 86277110 | 70789     | 19  | SCR, 10-24 X 3/4 PPHMS SS       | 1000094309         |              |
| 7   | 86161800 | 46-802531 | 1   | LATCH & CONCEALED KEEPER        |                    |              |
| 8   | 86271840 | 57285     | 12  | NUT, 5/16-18 HEX NYLOCK THIN SS | 1000094309         |              |
| 9   | 86010670 | 87029     | 11  | WASHER, 5/16 FLAT SS            |                    |              |
| 10  | 86270920 | 57049     | 4   | NUT, 6-32 HEX NYLOCK SS         |                    |              |
| 11  | 86273950 | 70056     | 4   | SCR, 6-32 X 1/2 PPHMS SS        | 1000094309         |              |
| 12  | 86062950 | 730115    | 1   | SHROUD, SCRUBDECK RIGHT         |                    |              |
| 13  | 86011020 | 89202     | 1   | WHEEL, 3" DIA CUSHION RUBBER    |                    |              |
| 14  | 86001350 | 140390    | 1   | BUSHING, SPANNER, .435 X 1.10   |                    |              |
| 15  | 86277150 | 70797     | 1   | SCR, 5/16-18 X 2 BSHCS SS       | 1000094309         |              |
| 16  | 86082950 | 66385     | 1   | PLATE, BUMPER WHEEL ATTACH      | 1000094309         |              |
| 17  | 86069640 | 140487    | 1   | BRKT, SHROUD RIGHT              |                    |              |
| 18  | 86066380 | 140543    | 1   | BAND, SHROUD SKIRT LEFT         |                    |              |
| 19  | 86007440 | 730119    | 1   | SKIRT, 26INCH LEFT              |                    |              |
| 20  | 86066390 | 140544    | 1   | BAND, SHROUD SKIRT RIGHT        |                    |              |
| 21  | 86007450 | 730120    | 1   | SKIRT, 26INCH RIGHT             |                    |              |
| 22  | 86004730 | 47414     | -   | SHROUD ASM, 26" RIGHT SCRUBHEAD |                    | SERVICE ONLY |
| 23  | 86004740 | 47415     | -   | SHROUD ASM, 26" LEFT SCRUBHEAD  |                    | SERVICE ONLY |
| 24  | 86244100 | 500831    | 1   | LABEL, AQUA-MIZER               |                    |              |

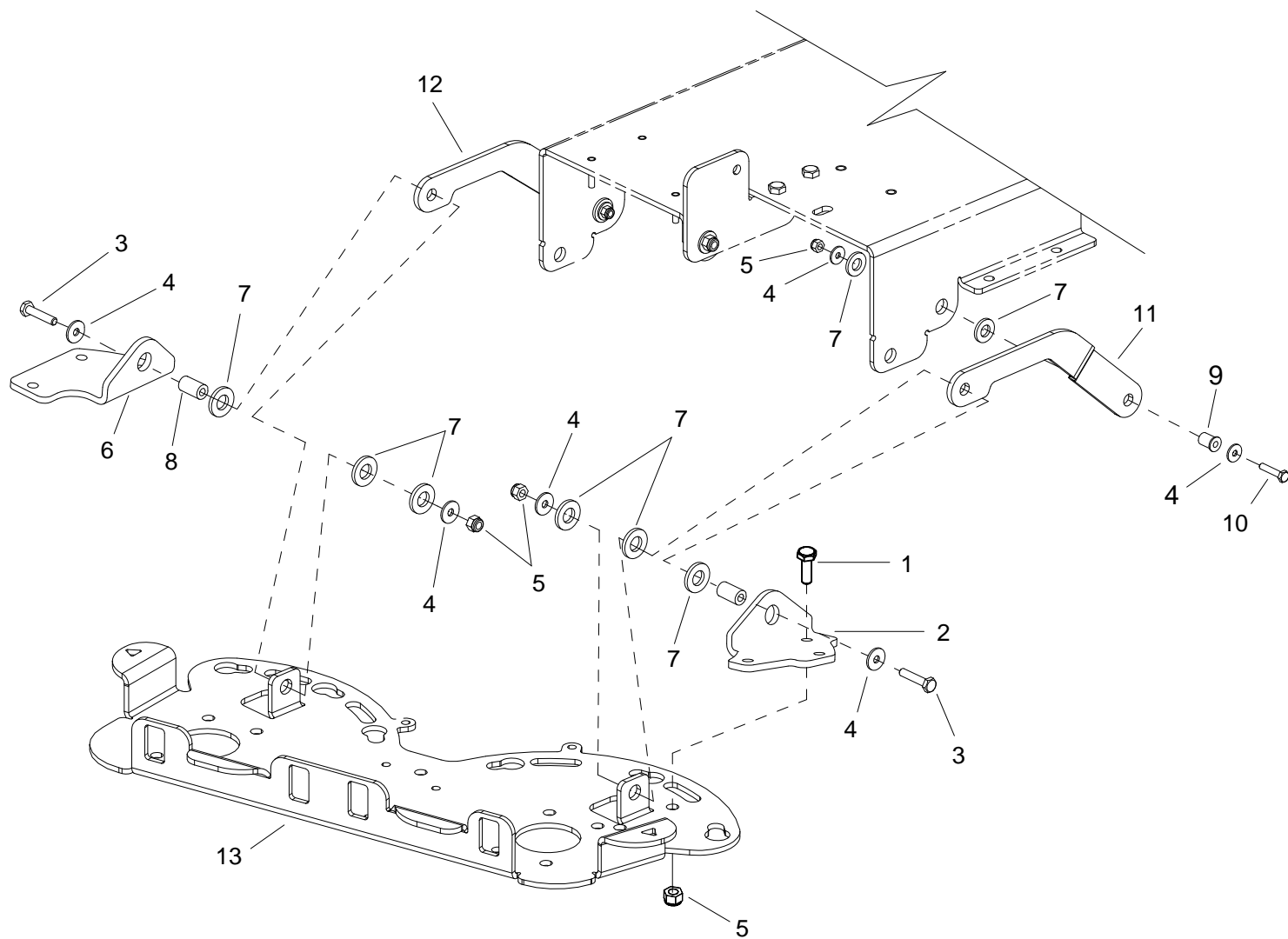
# SCRUB DECK SKIRT – 32IN SCRUBHEAD



## SCRUB DECK SKIRT-32IN SCRUBHEAD

| REF | PART NO. | PRV NO.   | QTY | DESCRIPTION                     | SERIAL NO.<br>FROM | NOTES:       |
|-----|----------|-----------|-----|---------------------------------|--------------------|--------------|
| 1   | 86290040 | -         | 10  | SCR, 5/16-18 X 3/4 BSHCS SS     |                    |              |
| 2   | 86070050 | 140563    | 1   | BRACKET, SHROUD RETAINER LEFT   |                    |              |
| 3   | 86271900 | 57294     | 23  | NUT, 10-24 HEX NYLOCK THIN SS   | 1000094309         |              |
| 4   | 86010650 | 87018     | 23  | WASHER, #10 X 9/16 OD           |                    |              |
| 5   | 86062960 | 730136    | 1   | SHROUD, SCRUBDECK LEFT          |                    |              |
| 6   | 86277110 | 70789     | 23  | SCR, 10-24 X 3/4 PPHMS SS       | 1000094309         |              |
| 7   | 86161800 | 46-802531 | 1   | LATCH & CONCEALED KEEPER        |                    |              |
| 8   | 86271840 | 57285     | 10  | NUT, 5/16-18 HEX NYLOCK THIN SS | 1000094309         |              |
| 9   | 86292500 | -         | 11  | WASHER, 5/16 ID X 9/16 OD SS    |                    |              |
| 10  | 86270920 | 57049     | 4   | NUT, 6-32 HEX NYLOCK SS         |                    |              |
| 11  | 86273950 | 70056     | 4   | SCR, 6-32 X 1/2 PPHMS SS        | 1000094309         |              |
| 12  | 86062970 | 730137    | 1   | SHROUD, SCRUBDECK RIGHT         |                    |              |
| 13  | 86011020 | 89202     | 1   | WHEEL, 3" DIA CUSHION RUBBER    |                    |              |
| 14  | 86001350 | 140390    | 1   | BUSHING, SPANNER, .435 X 1.10   |                    |              |
| 15  | 86277150 | 70797     | 1   | SCR, 5/16-18 X 2 BSHCS SS       | 1000094309         |              |
| 16  | 86082950 | 66385     | 1   | PLATE, BUMPER WHEEL ATTACH      | 1000094309         |              |
| 17  | 86070040 | 140562    | 1   | BRKT, SHROUD RETAINER RIGHT     |                    |              |
| 18  | 86066410 | 140549    | 1   | BAND, SKIRT LEFT 32 INCH        |                    |              |
| 19  | 86007530 | 730145    | 1   | SKIRT, 32 INCH LEFT             |                    |              |
| 20  | 86066400 | 140548    | 1   | BAND, SKIRT RIGHT 32 INCH       |                    |              |
| 21  | 86007540 | 730146    | 1   | SKIRT, 32 INCH RIGHT            |                    |              |
| 22  | 86004710 | 47412     | -   | SHROUD ASM, 32" RIGHT SCRUBHEAD |                    | SERVICE ONLY |
| 23  | 86004720 | 47413     | -   | SHROUD ASM, 32" LEFT SCRUBHEAD  |                    | SERVICE ONLY |
| 24  | 86244100 | 500831    | 1   | LABEL, AQUA-MIZER               |                    |              |

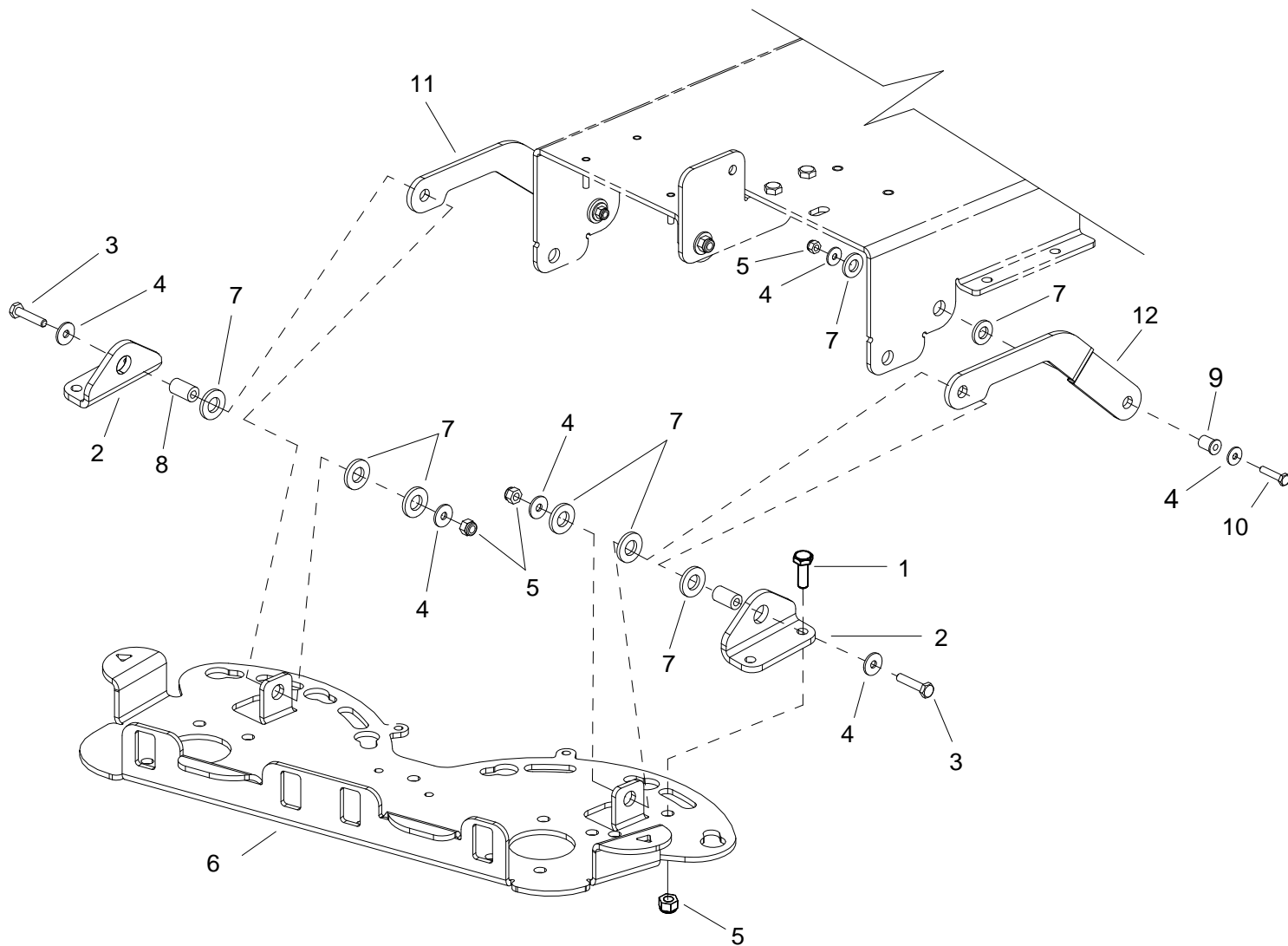
# SCRUB DECK LIFT LINKAGE-26IN SCRUBDECK



## SCRUB DECK LIFT LINKAGE-26IN SCRUBDECK

| REF | PART NO. | PRV. NO | QTY | DESCRIPTION                       | SERIAL NO.<br>FROM | NOTES: |
|-----|----------|---------|-----|-----------------------------------|--------------------|--------|
| 1   | 86273780 | 70015   | 6   | SCR, 1/4-20 X 3/4 HHCS SS NP      |                    |        |
| 2   | 86066760 | 140545  | 1   | BRACKET, ANGLE SUPPORT LEFT       |                    |        |
| 3   | 86273740 | 70010   | 2   | SCR, 1/4-20 X 1.5 HHCS SS         |                    |        |
| 4   | 86010630 | 87013   | 8   | WASHER, 1/4ID X 5/8OD SS          |                    |        |
| 5   | 86271870 | 57290   | 10  | NUT, 1/4-20 HEX NYLOCK THIN SS    |                    |        |
| 6   | 86069920 | 140546  | 1   | BRACKET, ANGLE SUPPORT RIGHT      |                    |        |
| 7   | 86259400 | 87205   | 10  | WASHER, THRUST .51ID X 1OD BRO    |                    |        |
| 8   | 86228920 | 09140   | 2   | BEARING, .252ID X .503OD X 1.0    |                    |        |
| 9   | 86228900 | 09138   | 2   | BEARING FLANGED , .252ID X .503OD |                    |        |
| 10  | 86273820 | 70019   | 2   | SCR, 1/4-20 X 1.25 HHCS           |                    |        |
| 11  | 86066770 | 140492  | 1   | BAR LINK LEFT                     |                    |        |
| 12  | 86066720 | 140447  | 1   | BAR LINK, RIGHT                   |                    |        |
| 13  | 86236650 | 34388   | 1   | FRAME, W24V SCRUB DECK            |                    |        |

# SCRUB DECK LIFT LINKAGE-32IN SCRUBDECK

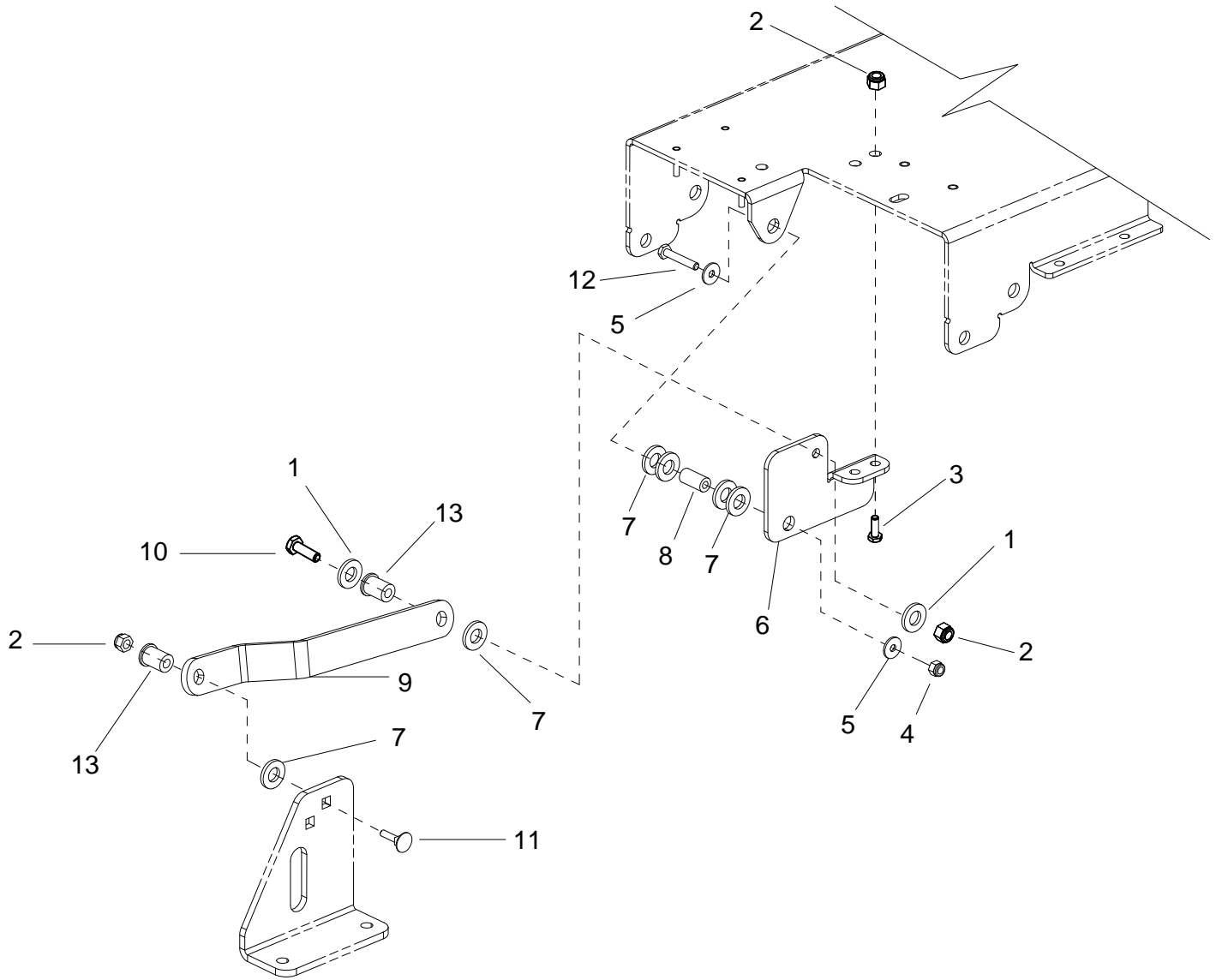




## **SCRUB DECK LIFT LINKAGE-32IN SCRUBDECK**

| REF | PART NO. | PRV NO. | QTY | DESCRIPTION                     | SERIAL NO.<br>FROM | NOTES: |
|-----|----------|---------|-----|---------------------------------|--------------------|--------|
| 1   | 86273780 | 70015   | 4   | SCR, 1/4-20 X 3/4 HHCS SS NP    |                    |        |
| 2   | 86070030 | 140561  | 2   | BRACKET, ANGLE SUPPORT          |                    |        |
| 3   | 86273740 | 70010   | 2   | SCR, 1/4-20 X 1.5 HHCS SS       |                    |        |
| 4   | 86010630 | 87013   | 8   | WASHER, 1/4ID X 5/8OD SS        |                    |        |
| 5   | 86271870 | 57290   | 8   | NUT, 1/4-20 HEX NYLOCK THIN SS  |                    |        |
| 6   | 86236670 | 34393   | 1   | FRAME, SCRUB DECK               |                    |        |
| 7   | 86259400 | 87205   | 10  | WASHER, THRUST .51ID X 1OD BRO  |                    |        |
| 8   | 86228920 | 09140   | 2   | BEARING, .252ID X .503OD X 1.0  |                    |        |
| 9   | 86228900 | 09138   | 2   | BEARING FLANGED .252ID X .503OD |                    |        |
| 10  | 86273820 | 70019   | 2   | SCR, 1/4-20 X 1.25 HHCS         |                    |        |
| 11  | 86066810 | 140513  | 1   | BAR, LINKAGE, LEFT              |                    |        |
| 12  | 86066870 | 140566  | 1   | BAR LINK, RIGHT                 |                    |        |

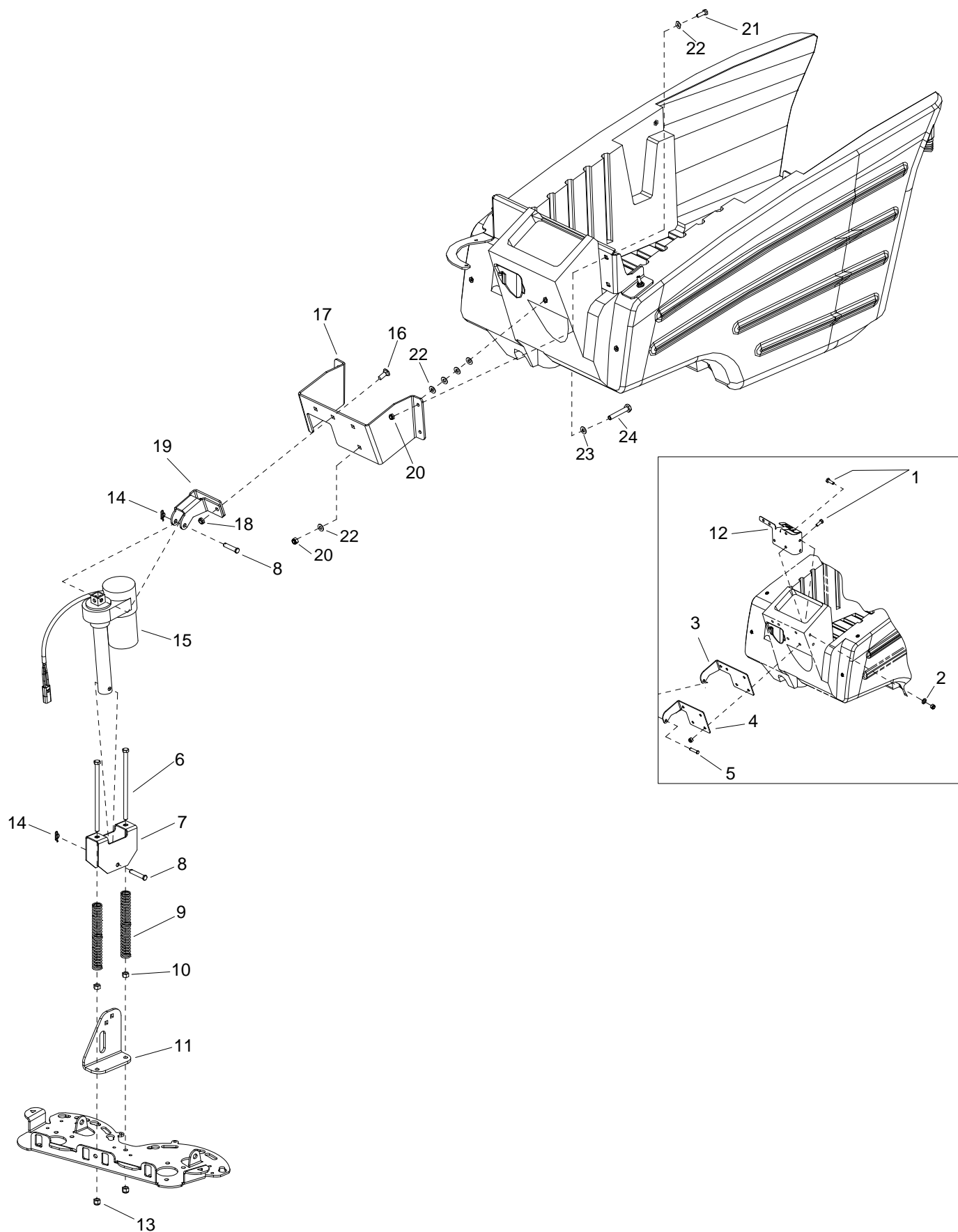
# SCRUB DECK LIFT



**SCRUB DECK LIFT**

| REF | PART NO. | PRV. NO | QTY | DESCRIPTION                      | SERIAL NO.<br>FROM | NOTES: |
|-----|----------|---------|-----|----------------------------------|--------------------|--------|
| 1   | 86010670 | 87029   | 2   | WASHER, 5/16 FLAT SS             |                    |        |
| 2   | 86271840 | 57285   | 4   | NUT, 5/16-18 HEX NYLOCK THIN SS  |                    |        |
| 3   | 86276780 | 70728   | 2   | SCR, 5/16-18 X 3/4 HHCS SS       |                    |        |
| 4   | 86271870 | 57290   | 3   | NUT, 1/4-20 HEX NYLOCK THIN SS   |                    |        |
| 5   | 86010630 | 87013   | 6   | WASHER, 1/4ID X 5/8OD SS         |                    |        |
| 6   | 86069750 | 140508  | 1   | BRACKET, FRAME MOUNT             |                    |        |
| 7   | 86259400 | 87205   | 10  | WASHER, THRUST .51ID X 1OD BRO   |                    |        |
| 8   | 86228920 | 09140   | 1   | BEARING, .252ID X .503OD X 1.0   |                    |        |
| 9   | 86069760 | 140509  | 1   | BRACKET, CENTER LINK             |                    |        |
| 10  | 86007020 | 70673   | 1   | SCR, 5/16-18 X 1.25 HHCS SS      |                    |        |
| 11  | 86197150 | 70669   | 1   | SCR, 5/16 X 1.25 ELEV FLDG SA    |                    |        |
| 12  | 86273740 | 70010   | 1   | SCR, 1/4-20 X 1.5 HHCS SS        |                    |        |
| 13  | 86228840 | 09124   | 2   | BEARING, FLANGED .314ID X .502OD |                    |        |

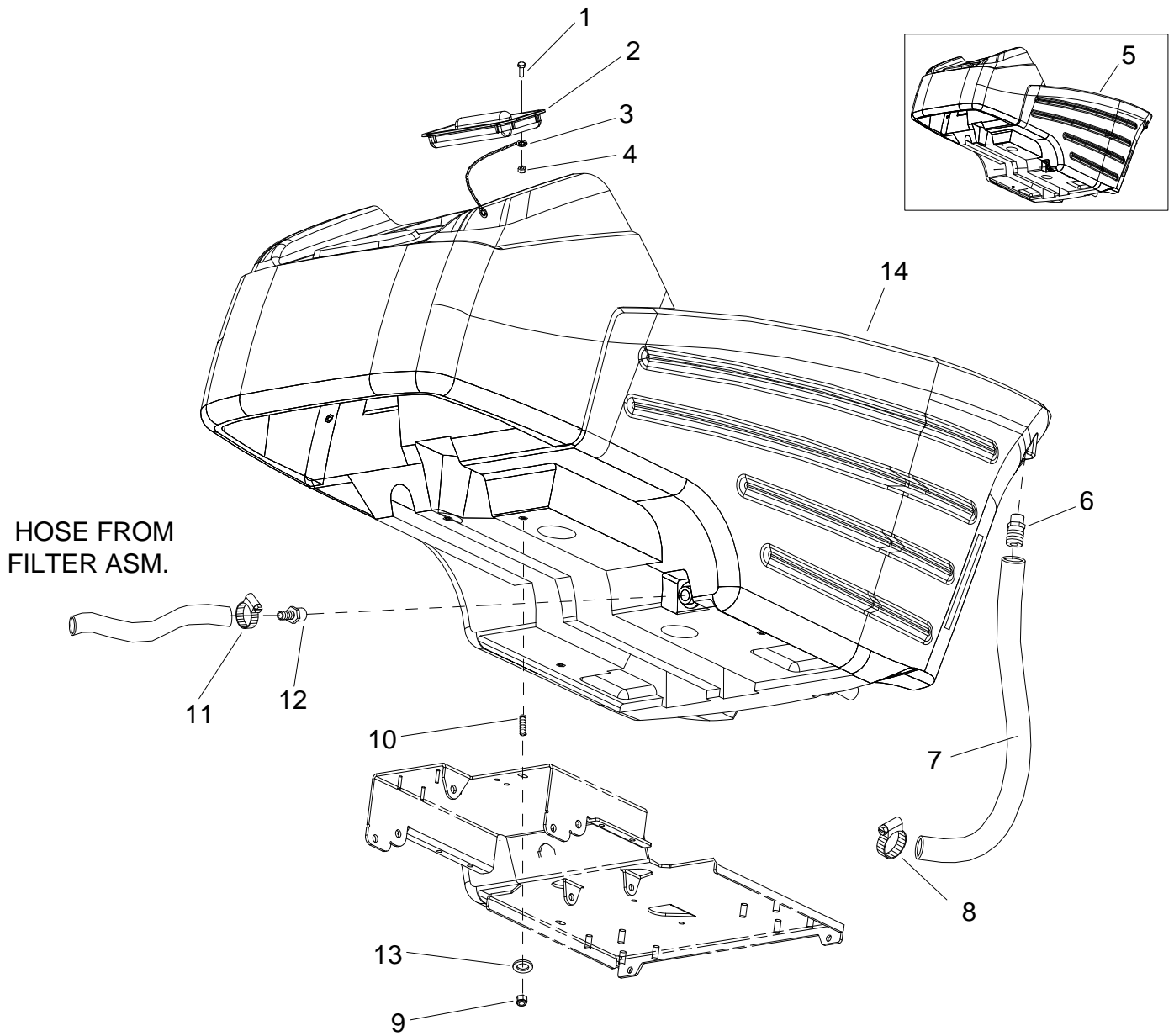
# SCRUB DECK LIFT



**SCRUB DECK LIFT**

| REF | PART NO. | PRV NO. | QTY | DESCRIPTION                    | SERIAL NO.<br>FROM | NOTES:    |
|-----|----------|---------|-----|--------------------------------|--------------------|-----------|
| 1   | 86276920 | 70755   | 7   | SCR, 3/8-16 X 1HHCS SS NP      |                    |           |
| 2   | 86279590 | 87185   | 2   | WASHER, 3/8 SEALING X 3/4 OD   |                    | WAS 87003 |
| 3   | 86069590 | 140479  | 1   | BRACKET, ACTUATOR MOUNT BACK   |                    |           |
| 4   | 86069600 | 140480  | 1   | BRACKET, ACTUATOR MOUNT FRONT  |                    |           |
| 5   | 86272410 | 66233   | 1   | PIN, CLEVIS 3/8" X 1.625" PLTD |                    |           |
| 6   | 86277010 | 70778   | 2   | SCR, 3/8-16 X 7 HHCS SS        |                    |           |
| 7   | 86068130 | 140456  | 1   | BRACKET, ACTUATOR TUBE         |                    |           |
| 8   | 86248970 | 81406   | 1   | PIN, CLEVIS 3/8 X 2            |                    |           |
| 9   | 86254910 | 730134  | 2   | SPRING, COMP .89OD X 6.13L     |                    |           |
| 10  | 86005730 | 57111   | 2   | NUT, 3/8-16 HEX                |                    |           |
| 11  | 86069770 | 140510  | 1   | BRACKET, DECK MOUNT            |                    |           |
| 12  | 86069930 | 140547  | 1   | BRKT, SOLUTION FILL            |                    |           |
| 13  | 86005630 | 57022   | 7   | NUT, 3/8-16 HEX NYLOCK THIN SS |                    |           |
| 14  | 86008670 | 80606   | 2   | COTTER, 3/8" RING              |                    |           |
| 15  | 86011960 | -       | 1   | ACTUATOR, 24VDC 5.0 STRK       |                    |           |
| 16  | 86277280 | 70822   | 2   | SCR, 3/8-16 X 1.00 CARRIAGE SS | *                  |           |
| 17  | 86068160 | 140707  | 1   | BRACKET, TANK BRACE            | *                  |           |
| 18  | 86005630 | 57022   | 2   | NUT, 3/8-16 HEX NYLOCK THIN SS | *                  |           |
| 19  | 86068170 | 140708  | 1   | BRACKET, ACTUATOR MOUNT        | *                  |           |
| 20  | 86271840 | 57285   | 5   | 5/16-18 HEX NYLOCK THIN SS     | *                  |           |
| 21  | 86006560 | 70083   | 4   | SCR, 5/16-18 X 1 HHCS SS       | *                  |           |
| 22  | 86010670 | 87029   | 9   | WASHER, 5/16 FLAT SS           | *                  |           |
| 23  | 86279650 | 87222   | 1   | WASHER, SEAL 5/16 X 3/4 OD SS  | 1000141108         |           |
| 24  | 86032890 | 70264   | 1   | SCR, 5/16-18 X 1.50 HHCS SS    | 1000141108         |           |

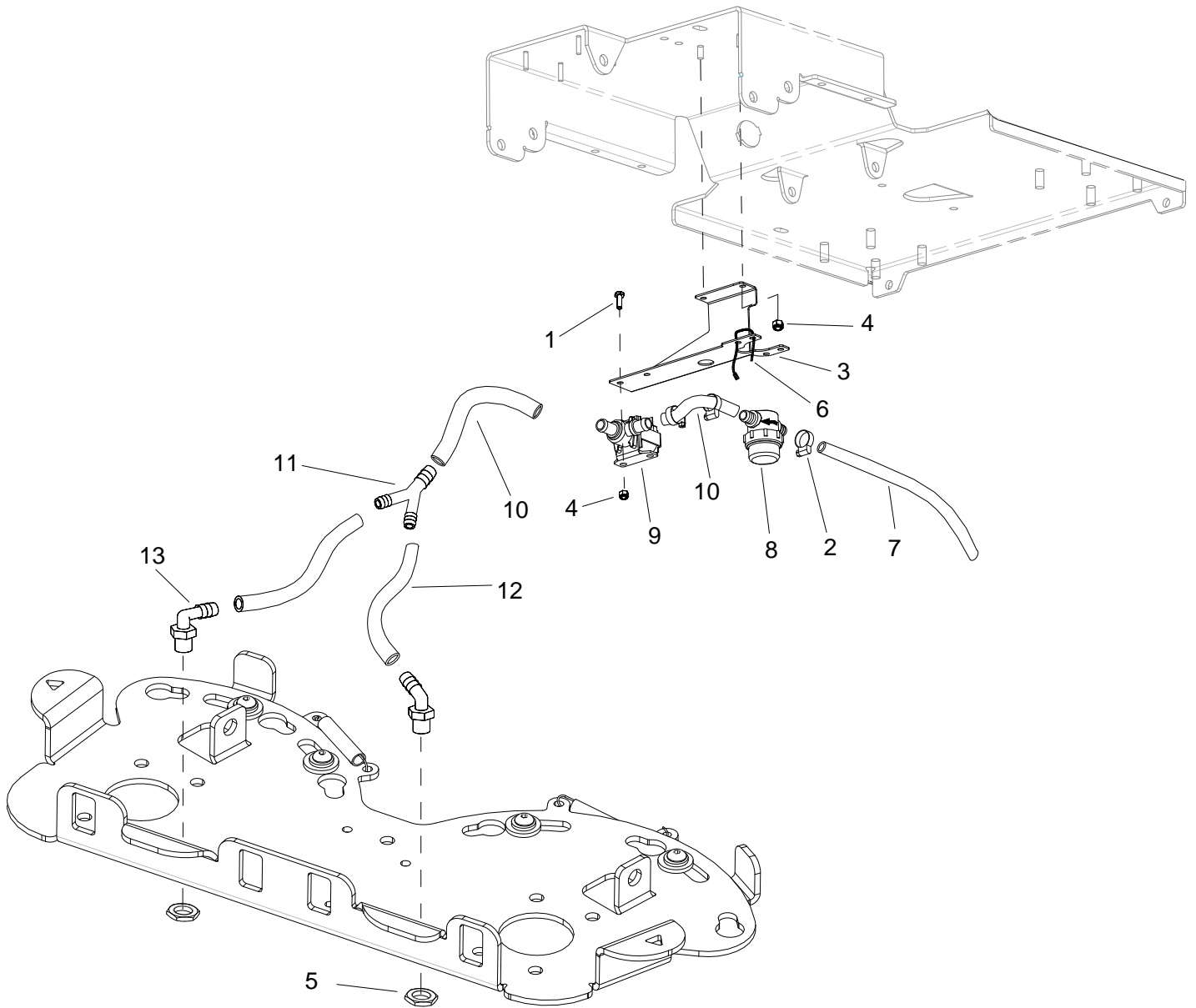
# SOLUTION



**SOLUTION**

| REF | PART NO. | PRV NO. | QTY | DESCRIPTION                     | SERIAL NO.<br>FROM | NOTES: |
|-----|----------|---------|-----|---------------------------------|--------------------|--------|
| 1   | 86273950 | 70056   | 1   | SCR, 6-32 X 1/2 PPHMS           |                    |        |
| 2   | 86234790 | 27827   | 1   | COVER, SOLUTION TANK            |                    |        |
| 3   | 86246080 | 51368   | 1   | LANYARD, 18.0 W/ LOOP & EYE     |                    |        |
| 4   | 86014810 | -       | 1   | NUT, 6-32 ACORN SS              |                    |        |
| 5   | 86008270 | 75370   | 1   | TANK, SOLUTION 24V              |                    |        |
| 6   | 86240460 | 40089   | 1   | HOSEBARB, 1/2 MPT X 1           |                    |        |
| 7   | 86282050 | 39562   | 1   | HOSE, 1.0ID 1/8W X 26 CLR       |                    |        |
| 8   | 86233110 | 20018   | 1   | CLAMP, 1.0" WORM GEAR           |                    |        |
| 9   | 86271840 | 57285   | 4   | NUT, 5/16-18 HEX NYLOCK THIN SS |                    |        |
| 10  | 86276380 | 70639   | 4   | SCR, 5/16-18 X 1.25 SSSCU       |                    |        |
| 11  | 86233150 | 20042   | 1   | CLAMP, 3/8 HOSE (D-SLOT)        |                    |        |
| 12  | 86197910 | 40022   | 1   | HOSEBARB, 1/2 MPT X 1/2 POLY DL |                    |        |
| 13  | 86010670 | 87029   | 4   | WASHER, 5/19 FLAT SS            |                    |        |
| 14  | 86032890 | 75460   | 1   | TANK, SOLUTION 24V              | 1000141108         |        |

# SOLUTION

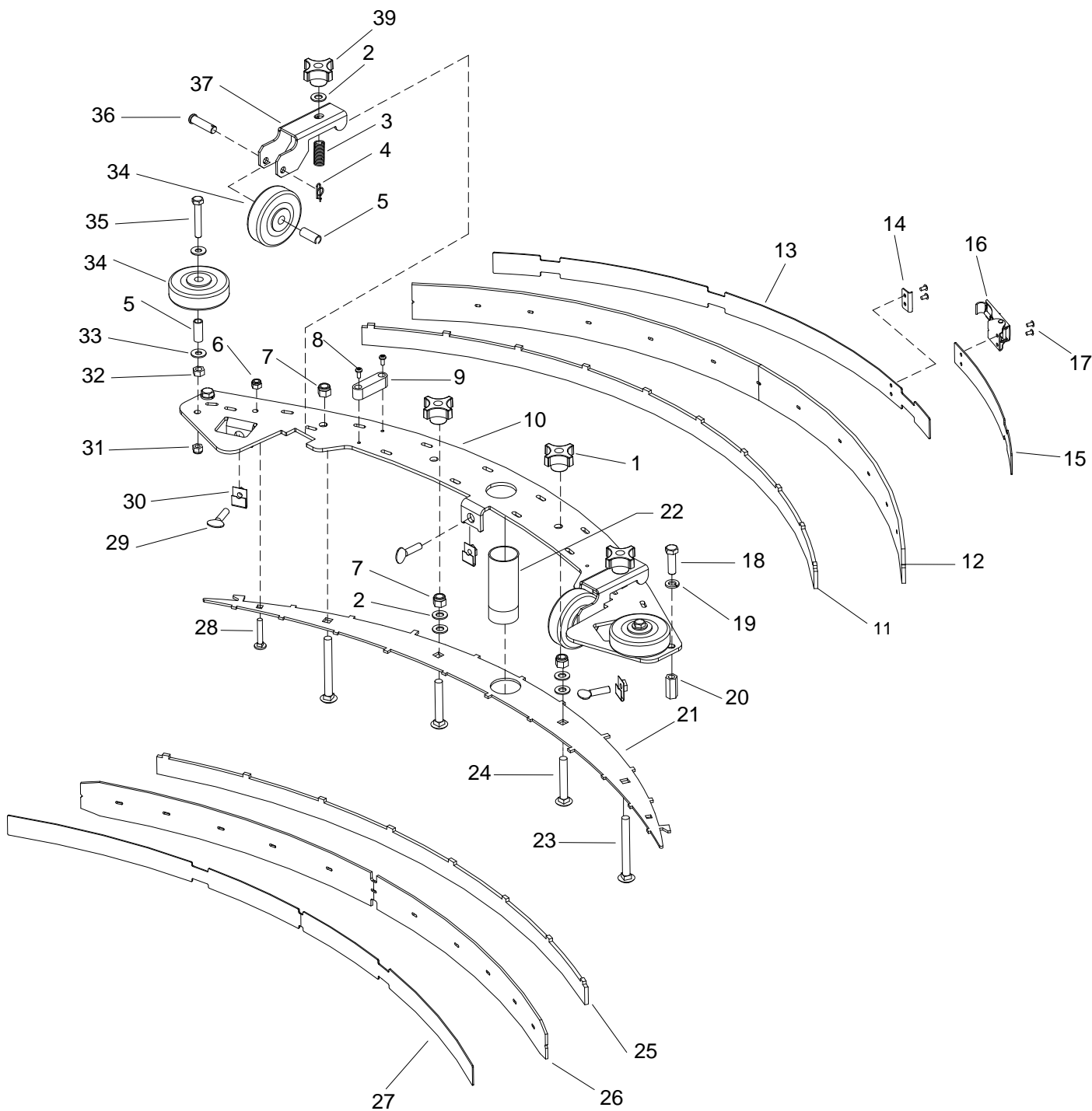




**SOLUTION**

| REF | PART NO. | PRV NO. | QTY | DESCRIPTION                    | SERIAL NO.<br>FROM | NOTES:       |
|-----|----------|---------|-----|--------------------------------|--------------------|--------------|
| 1   | 86273750 | 70011   | 2   | SCR, 1/4-20 X 5/8 HHCS SS NP   |                    |              |
| 2   | 86233150 | 20042   | 3   | CLAMP, 3/8 HOSE (D-SLOT)       |                    |              |
| 3   | 86069790 | 140518  | 1   | BRACKET, FILTER/SOLUTION MOUNT |                    |              |
| 4   | 86271870 | 57290   | 4   | NUT, 1/4-20 HEX NYLOCK THIN SS |                    |              |
| 5   | 86271830 | 57283   | 2   | NUT, 3/8 NPT PLASTIC           |                    |              |
| 6   | 86264940 | 27051   | 4   | CABLE TIE, 11.38" UL/CSA       |                    |              |
| 7   | 86282190 | 39616   | 1   | HOSE, 1/2" WIRE BOUND X 13"    |                    |              |
| 8   | 86007560 | 730161  | 1   | STRAINER, 1/2 HOSE 20 MESH     |                    |              |
| -   | 86005870 | 59021   | 1   | O-RING, FILTER SEAL RON-VIK    |                    |              |
| -   | 86007750 | 73405   | 1   | SCREEN, 20 MESH STRAINER       |                    |              |
| -   | 86313160 | -       | -   | CAP, STRAINER SHORT            |                    |              |
| 9   | 86010540 | 84141   | 1   | VALVE, 24VDC SOL 1/2" HOSEBARB |                    |              |
| -   | 86003460 | 29260   | -   | DIAPHRAGM SRVC PART SLND       |                    | SERVICE ONLY |
| -   | 86136820 | 47395   | -   | SOLENOID SPRING KIT            |                    | SERVICE ONLY |
| 10  | 86281100 | 39274   | 2   | HOSE, 1/2 WIRE BOUND X 8"      |                    |              |
| 11  | 86003580 | 34327   | 1   | FITTING, 1/2" X 3/8" RED T     |                    |              |
| 12  | 86280820 | 39035   | 2   | HOSE, 3/8 NYLOBRIAD X 10"      |                    |              |
| 13  | 86001550 | 40043   | 2   | HOSEBARB, 3/8 MPT X 3/8 90 D   |                    |              |

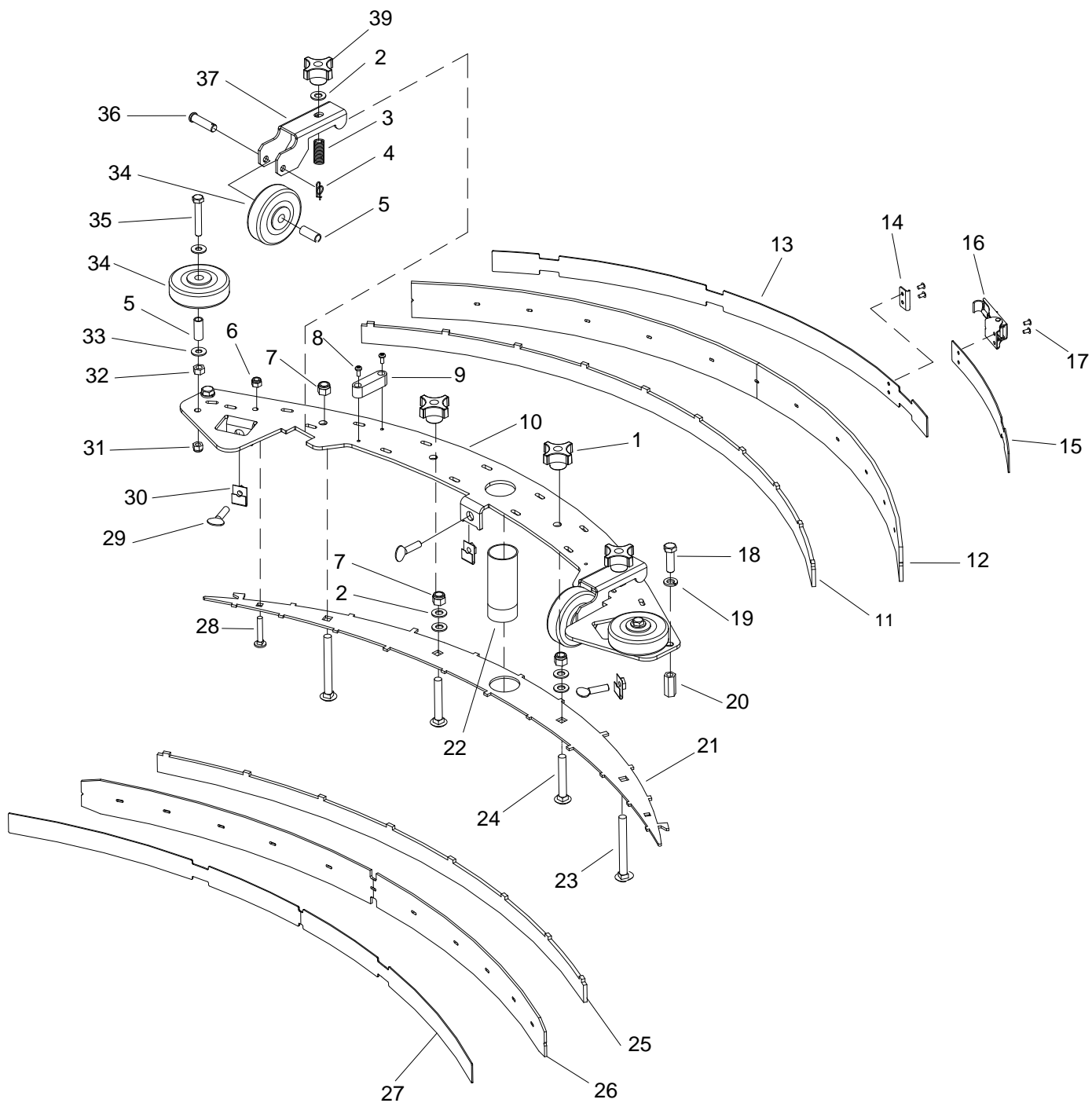
# SQUEEGEE-26IN SCRUBHEAD



## SQUEEGEE-26IN SCRUBHEAD

| REF | PART NO. | PRV NO. | QTY | DESCRIPTION                      | SERIAL NO.<br>FROM | NOTES:      |
|-----|----------|---------|-----|----------------------------------|--------------------|-------------|
| 1   | 86009200 | 81535   | 4   | KNOB, 3/8-16 4 PRONG             | 1000099023         | WAS 4       |
| 2   | 86010680 | 87030   | 4   | WASHER, 3/8 X 3/4 NYLON          |                    |             |
| 3   | 86007780 | 73576   | 2   | SPRING, COMP .60D X 2.0L X .045W |                    |             |
| 4   | 86008660 | 80605   | 2   | COTTER, 5/16 RING                |                    |             |
| 5   | 86001350 | 140390  | 4   | BUSHING, SPANNER .435 X 1.10     |                    |             |
| 6   | 86271870 | 57290   | 2   | NUT, 1/4-20 HEX NYLOCK THIN SS   |                    |             |
| 7   | 86005630 | 57022   | 4   | NUT, 3/8-16 HEX NYLOCK THIN SS   |                    |             |
| 8   | 86274130 | 70098   | 2   | SCR, 8-32 X 3/8 PHTC 'F' PLTD    |                    |             |
| 9   | 86009910 | 82576   | 1   | VIAL, LEVEL                      |                    |             |
| 10  | 86082420 | 62970   | 1   | PLATE, SQUEEGEE TOP 35"          |                    |             |
| 11  | 86082440 | 62972   | 1   | PLATE, REAR SQUEEGEE 35"         |                    |             |
| 12A | 86007430 | 730114  | 1   | SQUEEGEE, REAR BLADE LINATEX     |                    |             |
| 12B | 86137020 | 730423  | 1   | SQUEEGEE, REAR BLADE URETHANE    |                    |             |
| 13  | 86001340 | 140384  | 1   | BAND, REAR SQUEEGEE              |                    |             |
| 14  | 86009180 | 81489   | 1   | STRIKER, SQUEEGEE STRAP REAR     |                    |             |
| 15  | 86001330 | 140382  | 1   | BAND, REAR SQUEEGEE              |                    |             |
| 16  | 86009170 | 81488   | 1   | LATCH, SQUEEGEE STRAP            |                    |             |
| 17  | 86006400 | 67380   | 4   | RIVET, 5/32OD X 1/8 GRIP         |                    |             |
| 18  | 86276920 | 70755   | 2   | SCR, 3/8-16 X 1 HHCS SS NP       |                    |             |
| 19  | 86010790 | 87163   | 2   | WASHER, 3/8 SPLIT                |                    |             |
| 20  | 86005840 | 57269   | 2   | NUT, 3/8-16 HEX COUPLING SS      |                    |             |
| 21  | 86082450 | 62973   | 1   | PLATE, SQUEEGEE BOTTOM 35"       |                    |             |
| 22  | 86008390 | 78493   | 1   | TUBE ASM, SQUEEGEE VAC           |                    |             |
| 23  | 86276990 | 70776   | 2   | SCR, 3/8-16 X 3.5 CARRIAGE SS    |                    |             |
| 24  | 86276870 | 70748   | 2   | SCR, 3/8-16 X 2.5 CARRIAGE SS    |                    |             |
| 25  | 86082430 | 62971   | 1   | PLATE, SQUEEGEE FRONT 35"        |                    |             |
| 26A | 86008020 | 73894   | 1   | BLADE, SQUEEGEE FRONT LINATEX    |                    |             |
| 26B | 86137030 | 730424  | 1   | SQUEEGEE, FRONT BLADE URETHANE   |                    |             |
| 27  | 86066370 | 140383  | 1   | STRAP, SQUEEGEE                  |                    |             |
| 28  | 86277000 | 70777   | 2   | SCR, 1/4-20 X 1.75 CARRIAGE SS   |                    |             |
| 29  | 86007040 | 70680   | 3   | SCR, 5/16-18 X 1 THUMB SS TYPE P |                    |             |
| 30  | 86271820 | 57270   | 3   | NUT, 5/16-18 CAPTIVE "J" PLTD    |                    |             |
| 31  | 86271840 | 57285   | 2   | NUT, 5/16-18 HEX NYLOCK THIN SS  |                    |             |
| 32  | 86005650 | 57031   | 2   | NUT, 5/16-18 HEX                 |                    |             |
| 33  | 86010670 | 87029   | 4   | WASHER, 5/16 X 3/4 SS            |                    |             |
| 34  | 86011020 | 89202   | 4   | WHEEL, 3" DIA. CUSHION RUBBER    |                    |             |
| 35  | 86276980 | 70775   | 2   | SCR, 5/16-18 X 2.00 HHCS SS      |                    |             |
| 36  | 86006270 | 66276   | 2   | PIN, CLEVIS 5/16 X 1.63          |                    |             |
| 37  | 86069870 | 140531  | 2   | BRACKET, SQUEEGEE WHEEL          |                    |             |
| 38  | 86026530 | 47398   | -   | SQUEEGEE 26 IN SCRUBHEAD         |                    | SERVICE ASM |
| 39  | 86004890 | 48095   | 2   | KNOB, ALUM 3/8-16 NYLOCK NUT SS  | 1000099023         |             |

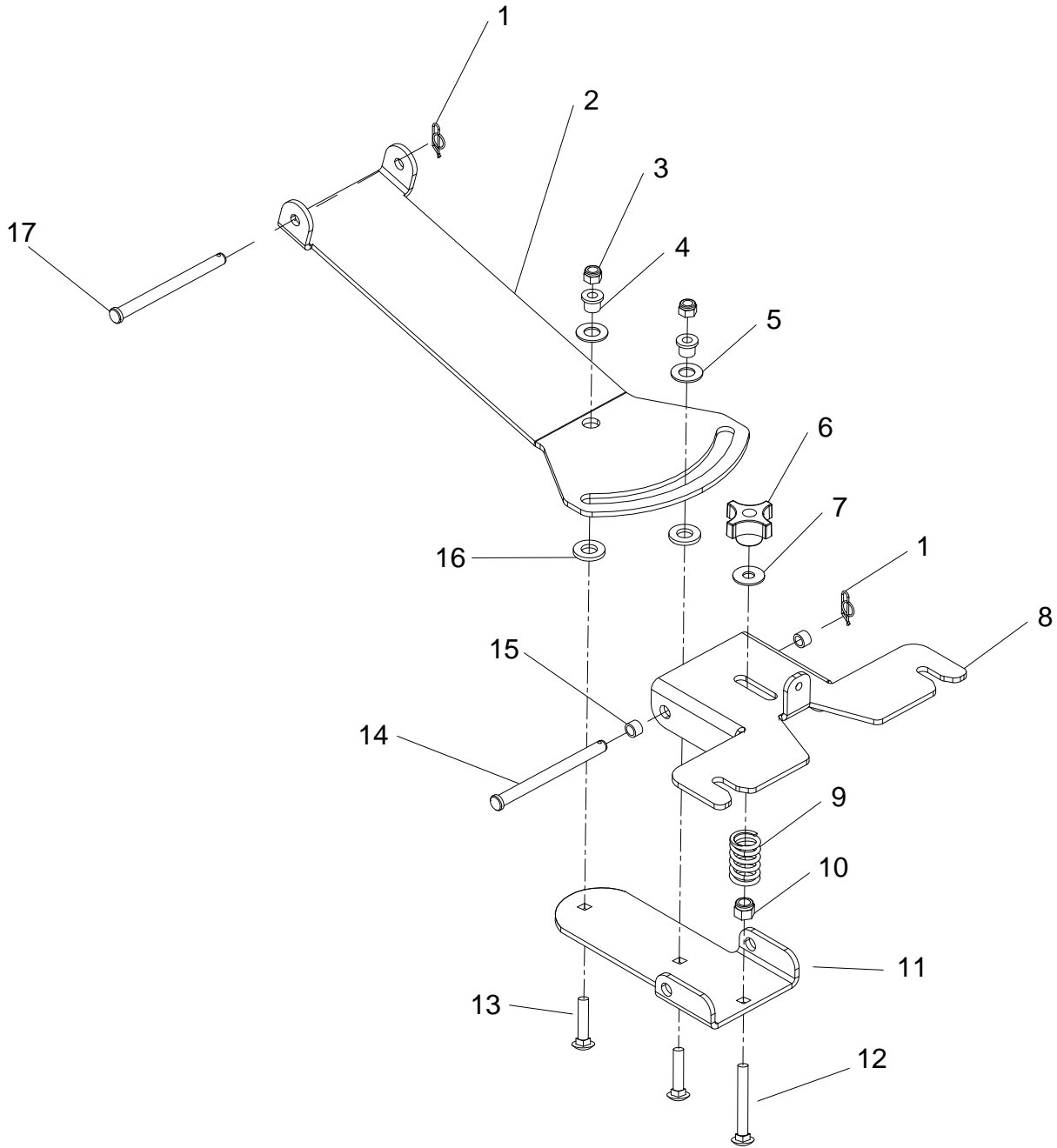
# SQUEEGEE-32IN SCRUBHEAD



## SQUEEGEE-32IN SCRUBHEAD

| REF | PART NO. | PRV NO. | QTY | DESCRIPTION                      | SERIAL NO.<br>FROM | NOTES:      |
|-----|----------|---------|-----|----------------------------------|--------------------|-------------|
| 1   | 86009200 | 81535   | 4   | KNOB, 3/8-16 4 PRONG             |                    |             |
| 2   | 86010680 | 87030   | 6   | WASHER, 3/8 X 3/4 NYLON          |                    |             |
| 3   | 86007780 | 73576   | 2   | SPRING, COMP .60D X 2.0L X .045W |                    |             |
| 4   | 86008660 | 80605   | 2   | COTTER, 5/16 RING                |                    |             |
| 5   | 86001350 | 140390  | 4   | BUSHING, SPANNER .435 X 1.10     |                    |             |
| 6   | 86271870 | 57290   | 2   | NUT, 1/4-20 HEX NYLOCK THIN SS   |                    |             |
| 7   | 86005630 | 57022   | 4   | NUT, 3/8-16 HEX NYLOCK THIN SS   |                    |             |
| 8   | 86274130 | 70098   | 2   | SCR, 8-32 X 3/8 PHTC 'F' PLTD    |                    |             |
| 9   | 86009910 | 82576   | 1   | VIAL, LEVEL                      |                    |             |
| 10  | 86082460 | 62974   | 1   | PLATE, SQUEEGEE TOP 40"          |                    |             |
| 11  | 86082480 | 62976   | 1   | PLATE, SQG REAR 40"              |                    |             |
| 12A | 86007490 | 730133  | 1   | SQUEEGEE, REAR BLADE LINATEX     |                    |             |
| 12B | 86137040 | 730425  | 1   | SQUEEGEE, REAR BLADE URETHANE    |                    |             |
| 13  | 86066360 | 140381  | 1   | BAND, REAR SQUEEGEE              |                    |             |
| 14  | 86009180 | 81489   | 1   | STRIKER, SQUEEGEE STRAP REAR     |                    |             |
| 15  | 86001330 | 140382  | 1   | BAND, REAR SQUEEGEE              |                    |             |
| 16  | 86009170 | 81488   | 1   | LATCH, SQUEEGEE STRAP            |                    |             |
| 17  | 86006400 | 67380   | 4   | RIVET, 5/32OD X 1/8 GRIP         |                    |             |
| 18  | 86276920 | 70755   | 2   | SCR, 3/8-16 X 1 HHCS SS NP       |                    |             |
| 19  | 86010790 | 87163   | 2   | WASHER, 3/8 SPLIT                |                    |             |
| 20  | 86005840 | 57269   | 2   | NUT, 3/8-16 HEX COUPLING SS      |                    |             |
| 21  | 86082490 | 62977   | 1   | PLATE, SQUEEGEE BOTTOM 40"       |                    |             |
| 22  | 86008390 | 78493   | 1   | TUBE ASM, SQUEEGEE VAC           |                    |             |
| 23  | 86276990 | 70776   | 2   | SCR, 3/8-16 X 3.5 CARRIAGE SS    |                    |             |
| 24  | 86276870 | 70748   | 2   | SCR, 3/8-16 X 2.5 CARRIAGE SS    |                    |             |
| 25  | 86082470 | 62975   | 1   | PLATE, SQUEEGEE FRONT 40" SPACER |                    |             |
| 26A | 86009830 | 82528   | 1   | BLADE, SQUEEGEE FRONT LINATEX    |                    |             |
| 26B | 86137050 | 730426  | 1   | SQUEEGEE, FRONT BLADE URETHANE   |                    |             |
| 27  | 86066350 | 140380  | 1   | STRAP, SQUEEGEE                  |                    |             |
| 28  | 86277000 | 70777   | 2   | SCR, 1/4-20 X 1.75 CARRIAGE SS   |                    |             |
| 29  | 86007040 | 70680   | 3   | SCR, 5/16-18 X 1 THUMB SS TYPE P |                    |             |
| 30  | 86271820 | 57270   | 3   | NUT, 5/16-18 CAPTIVE "J" PLTD    |                    |             |
| 31  | 86271840 | 57285   | 2   | NUT, 5/16-18 HEX NYLOCK THIN SS  |                    |             |
| 32  | 86005650 | 57031   | 2   | NUT, 5/16-18 HEX                 |                    |             |
| 33  | 86010670 | 87029   | 4   | WASHER, 5/16 X 3/4 SS            |                    |             |
| 34  | 86011020 | 89202   | 4   | WHEEL, 3" DIA. CUSHION RUBBER    |                    |             |
| 35  | 86276980 | 70775   | 2   | SCR, 5/16-18 X 2.00 HHCS SS      |                    |             |
| 36  | 86006270 | 66276   | 2   | PIN, CLEVIS 5/16 X 1.63          |                    |             |
| 37  | 86069870 | 140531  | 2   | BRACKET, SQUEEGEE WHEEL          |                    |             |
| 38  | 86026540 | 47399   | -   | SQUEEGEE 32" SCRUBHEAD           |                    | SERVICE ASM |
| 39  | 86004890 | 48095   | 2   | KNOB, ALUM 3/8-16 NYLOCK NUT SS  | 86004890           |             |

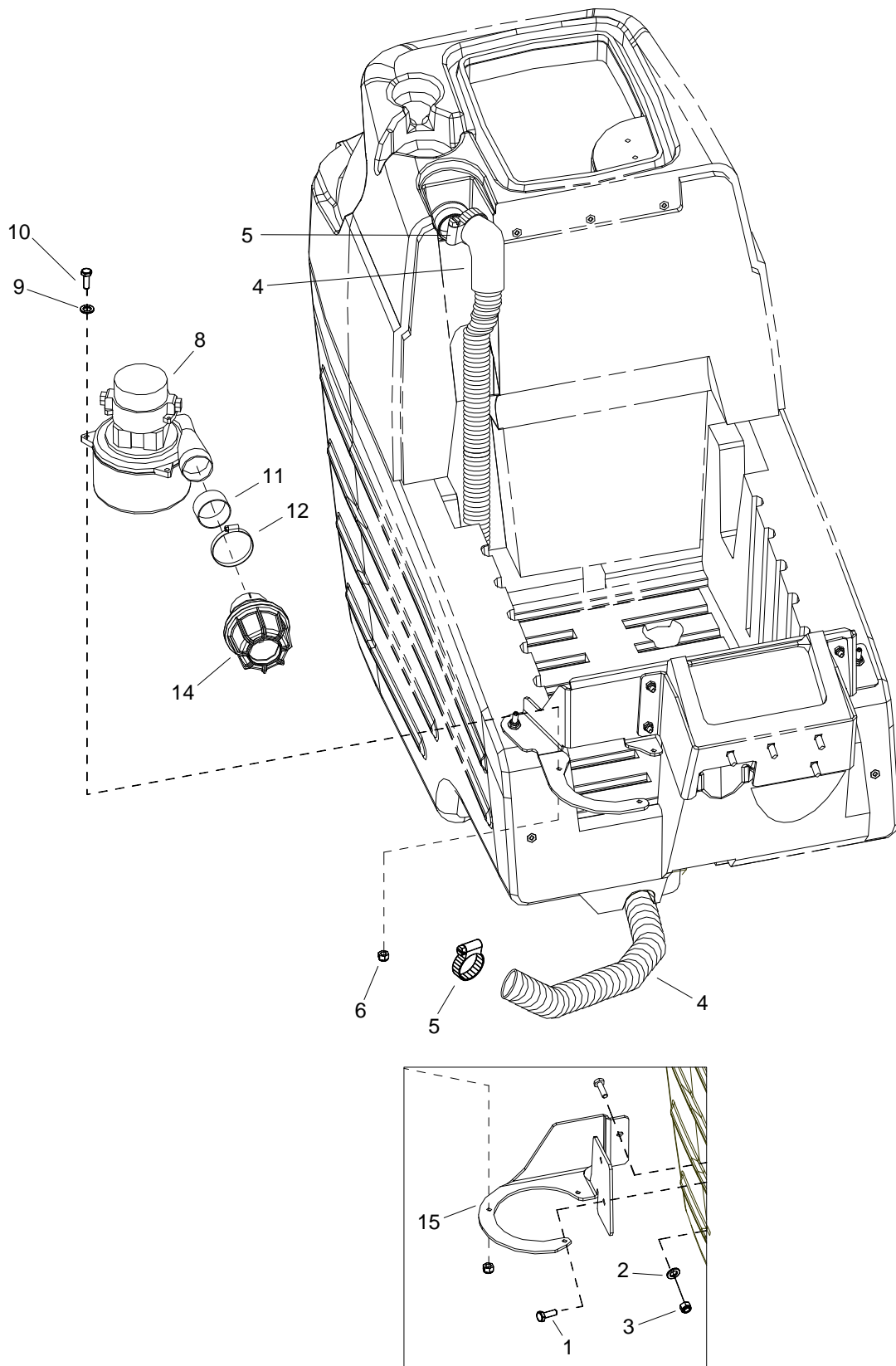
# SQUEEGEE LIFT LINKAGE (LOWER)



## SQUEEGEE LIFT LINKAGE (LOWER)

| REF | PART NO. | PRV NO. | QTY | DESCRIPTION                        | SERIAL NO.<br>FROM | NOTES: |
|-----|----------|---------|-----|------------------------------------|--------------------|--------|
| 1   | 86008670 | 80606   | 2   | COTTER, 3/8" RING                  |                    |        |
| 2   | 86069450 | 140455  | 1   | BRACKET, SQG PIVOT LIFT            |                    |        |
| 3   | 86271840 | 57285   | 2   | NUT, 5/16-18 HEX NYLOCK THIN SS    |                    |        |
| 4   | 86228840 | 09124   | 2   | BEARING, FLANGED .314ID X .502OD   |                    |        |
| 5   | 86259420 | 87232   | 2   | WASHER, THRUST .51ID X 1ODBRO      |                    |        |
| 6   | 86009200 | 81535   | 1   | KNOB, 3/8-16 4 PRONG ALUM          |                    |        |
| 7   | 86279510 | 87171   | 1   | WASHER, 3/8 FLAT                   |                    |        |
| 8   | 86082150 | 62922   | 1   | PLATE, SQUEEGEE MOUNT              |                    |        |
| 9   | 86007270 | 730006  | 1   | SPRING, COMP 1.10OD X 2.0L X .148W |                    |        |
| 10  | 86005630 | 57022   | 1   | NUT, 3/8-16 HEX NYLOCK THIN SS     |                    |        |
| 11  | 86072530 | 14409   | 1   | BRACKET, CAMBER PIVOT              |                    |        |
| 12  | 86276870 | 70748   | 1   | SCR, 3/8-16 X 2.50 CARRIAGE SS     |                    |        |
| 13  | 86277130 | 70795   | 2   | SCR, 5-16-18 X 1.00 CARRIAGE SS    |                    |        |
| 14  | 86249060 | 82061   | 1   | PIN, CLEVIS 3/8 X 4.63 PLTD        |                    |        |
| 15  | 86008870 | 80815   | 2   | BEARING, FLANGED 3/8" ID X 11/16"  |                    |        |
| 16  | 86259400 | 87205   | 2   | WASHER, THRUST .51ID X 1OD BRO     |                    |        |
| 17  | 86029480 | 80808   | 1   | PIN, CLEVIS 3/8" X 5.5"L PLTD      |                    |        |

# VACUUM

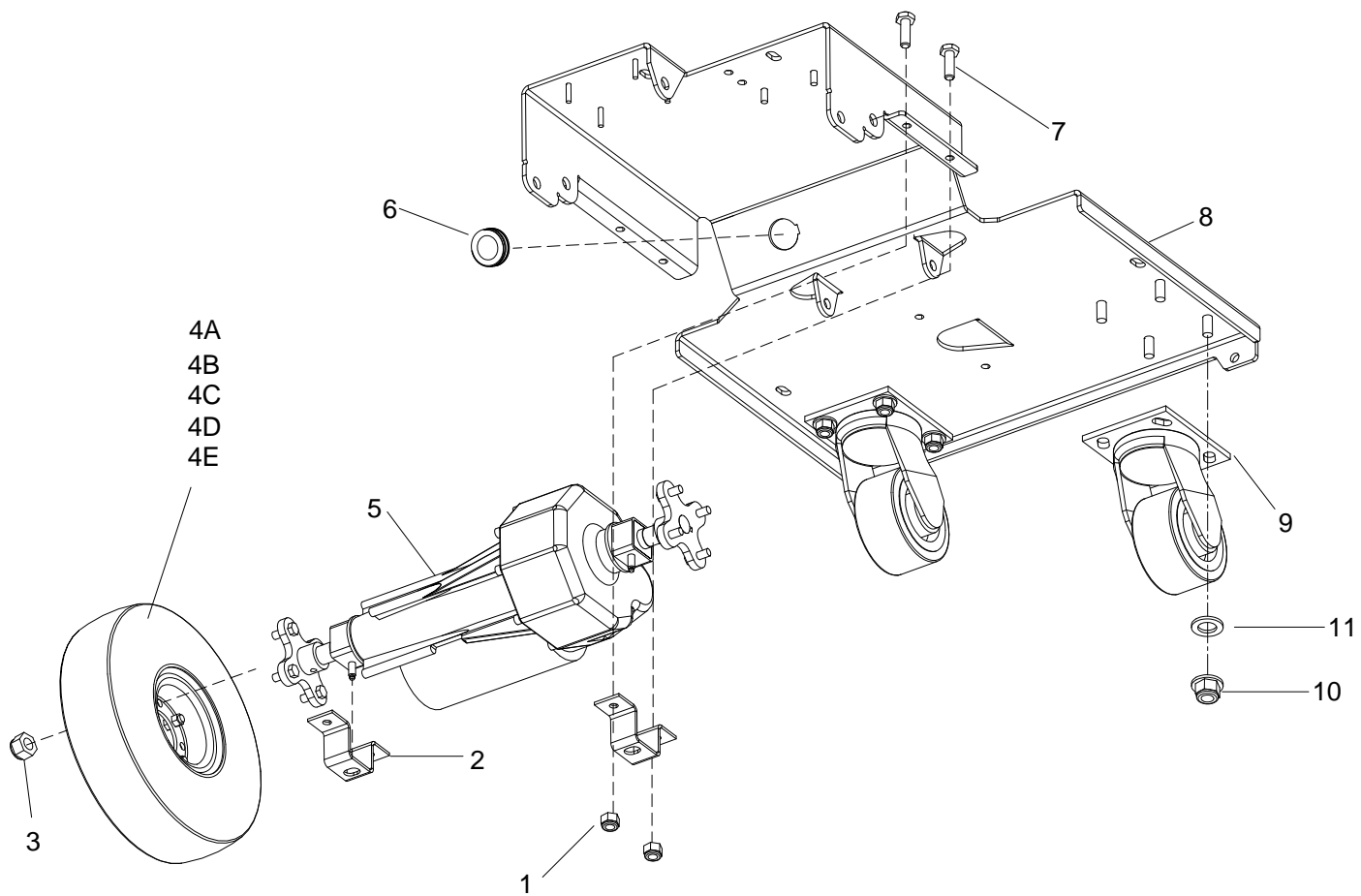




**VACUUM**

| REF | PART NO. | PRV NO. | QTY | DESCRIPTION                    | SERIAL NO.<br>FROM | NOTES:  |
|-----|----------|---------|-----|--------------------------------|--------------------|---|
| 1   | 86276920 | 70755   | 3   | SCR, 3/8-16 X25 HHCS SS NP     |                    |   |
| 2   | 86278910 | 87003   | 3   | WASHER, 3/8ID X 7/8OD SS       |                    |   |
| 3   | 86005630 | 57022   | 3   | NUT, 3/8-16 HEX NYLOCK THIN SS |                    |   |
| 4   | 86001620 | 40087   | 1   | HOSE ASM, 1.5 BLK VAC X 67     |                    |   |
| 5   | 86002400 | 20064   | 2   | CLAMP, 2.0" WORM GEAR X .312W  |                    |   |
| 6   | 86271870 | 57290   | 3   | NUT, 1/4-20 HEX NYLOCK THIN SS |                    |   |
| 7   | -        | OPEN    | -   | -                              |                    |   |
| 8   | 86005460 | 53801   | 1   | VAC MOTOR ASM, 24VDC 3 STAGE   |                    |   |
| -   | 86230810 | 140551  | -   | BRUSH SET, 24V 3ST VAC AMETEK  |                    | Service Only  |
| -   | 86135310 | 140686  | -   | BRUSH SET, 24V/36V VAC WINDSOR | 1000122411         | Service Only  |
| 9   | 86010630 | 87013   | 3   | WASHER, 1/4ID X 5/8OD SS       |                    |   |
| 10  | 86273810 | 70018   | 3   | SCR, 1/4-20 X 1 HHCS SS        |                    |   |
| 11  | 86091170 | 730174  | 1   | TUBE, 2.0 OD X .05W X 1.0L     |                    |   |
| 12  | 86233430 | 81431   | 1   | CLAMP, 2.50 WORM GEAR          |                    |   |
| 13  | -        | OPEN    | -   | -                              |                    |   |
| 14  | 86064910 | 54194   | 1   | MUFFLER, VAC MOTOR             | 1000122451         |   |
| 15  | 86070630 | 140704  | 1   | BRACKET, VAC MOTOR             | 1000122451         | See Cover & Tank<br>Mount Page For<br>Tank Support Brkt |

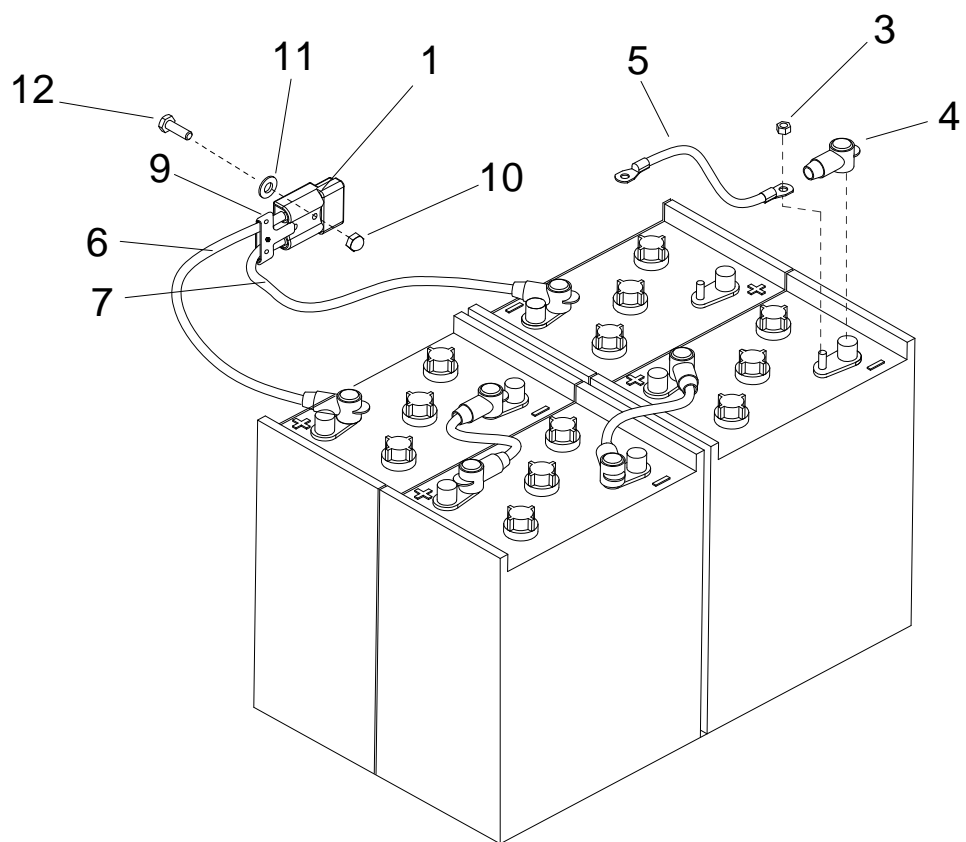
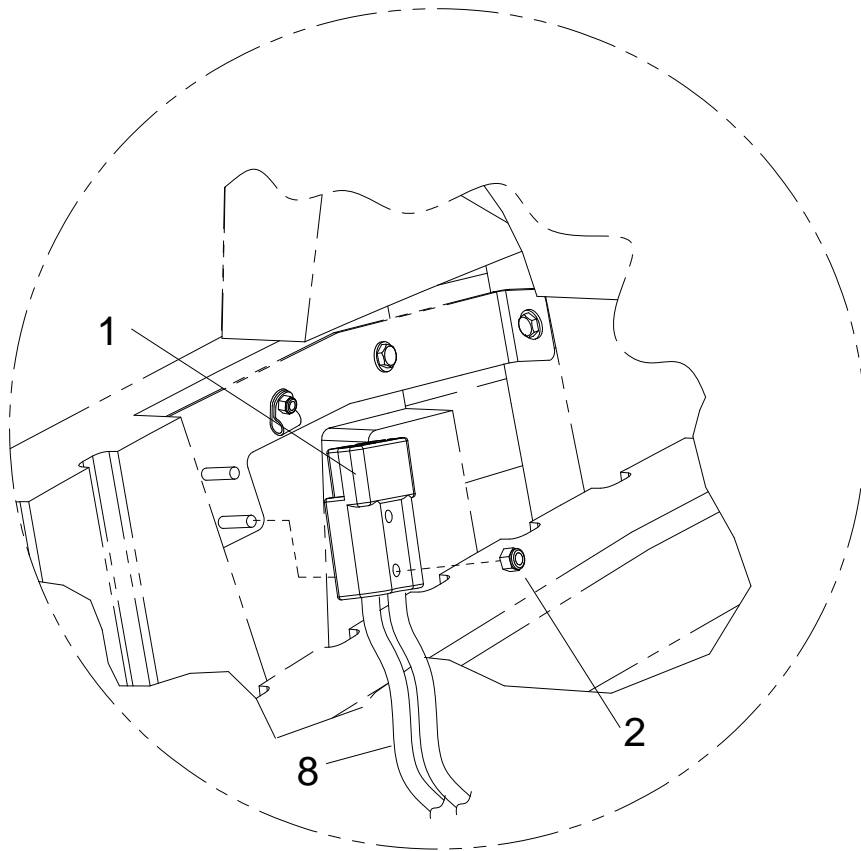
# WHEELS AND FRAME



## WHEELS AND FRAME

| REF | PART NO. | PRV NO. | QTY | DESCRIPTION                     | SERIAL NO.<br>FROM | NOTES:                                 |
|-----|----------|---------|-----|---------------------------------|--------------------|--|
| 1   | 86271840 | 57285   | 4   | NUT, 5/16-18 HEX NYLOCK THIN SS |                    |  |
| 2   | 86230330 | 14369   | 2   | BRACKET, TRANSAXLE MOUNT        |                    |  |
| 3   | 86271860 | 57289   | 8   | NUT, 5/16-24 HEX NYLOCK SS      |                    |  |
| 4A  | 86011050 | 89212   | 2   | WHEEL ASM, 10" FMFL BLK KNOBBY  |                    |  |
| 4B  | 86137420 | 830748  | -   | WHEEL ASM, 10" SOLID SPCL SCBR  |                    | OPTIONAL                               |
| 4C  | 86011040 | 89211   | -   | WHEEL ASM, 10" FMFL N-MARKING   |                    | OPTIONAL                               |
| 4D  | 86354660 | -       | -   | WHEEL, 10" BLK KNOBBY POLY FILL |                    | OPTIONAL                               |
| 4E  | 86354670 | -       | -   | WHEEL, 10" N-MRKNG POLY FILL    |                    | OPTIONAL<br>(STANDARD ON<br>BSCSCX264) |
| 5   | 86000800 | 05128   | 1   | AXLE MOTOR DRIVE, 24VDC         |                    |  |
| 5A  | 86216150 | 140588  | -   | BRUSH SET, 24V TRANSAXLE        |                    | SERVICE ONLY                           |
| 5B  | 86004660 | 47371   | -   | HUB KIT, 05128 TRANSAXLE        | 1000094309         | SERVICE ONLY                           |
| 5C  | 86241840 | 48091   | -   | KEY, WOODRUFF .75ID HUB         | 1000094309         | SERVICE ONLY                           |
| 6   | 86238430 | 36191   | 1   | GROMMET, 1.00ID 3/16 GRIP       |                    |  |
| 7   | 86006560 | 70083   | 4   | SCR, 5/16-18 X 1 HHCS SS NP     |                    |  |
| 8   | 86092580 | 62921   | 1   | FRAME, MAIN 24V                 |                    |  |
| 9   | 86002310 | 18041   | 2   | CASTER, 4 DIA X 2 W X 3.56R     |                    |  |
| 10  | 86270880 | 57032   | 8   | NUT, 3/8-16 SERRATED FLG        |                    |  |
| 11  | 86278910 | -       | 8   | WASHER, 3/8 ID X 7/8 OD SS      |                    |  |

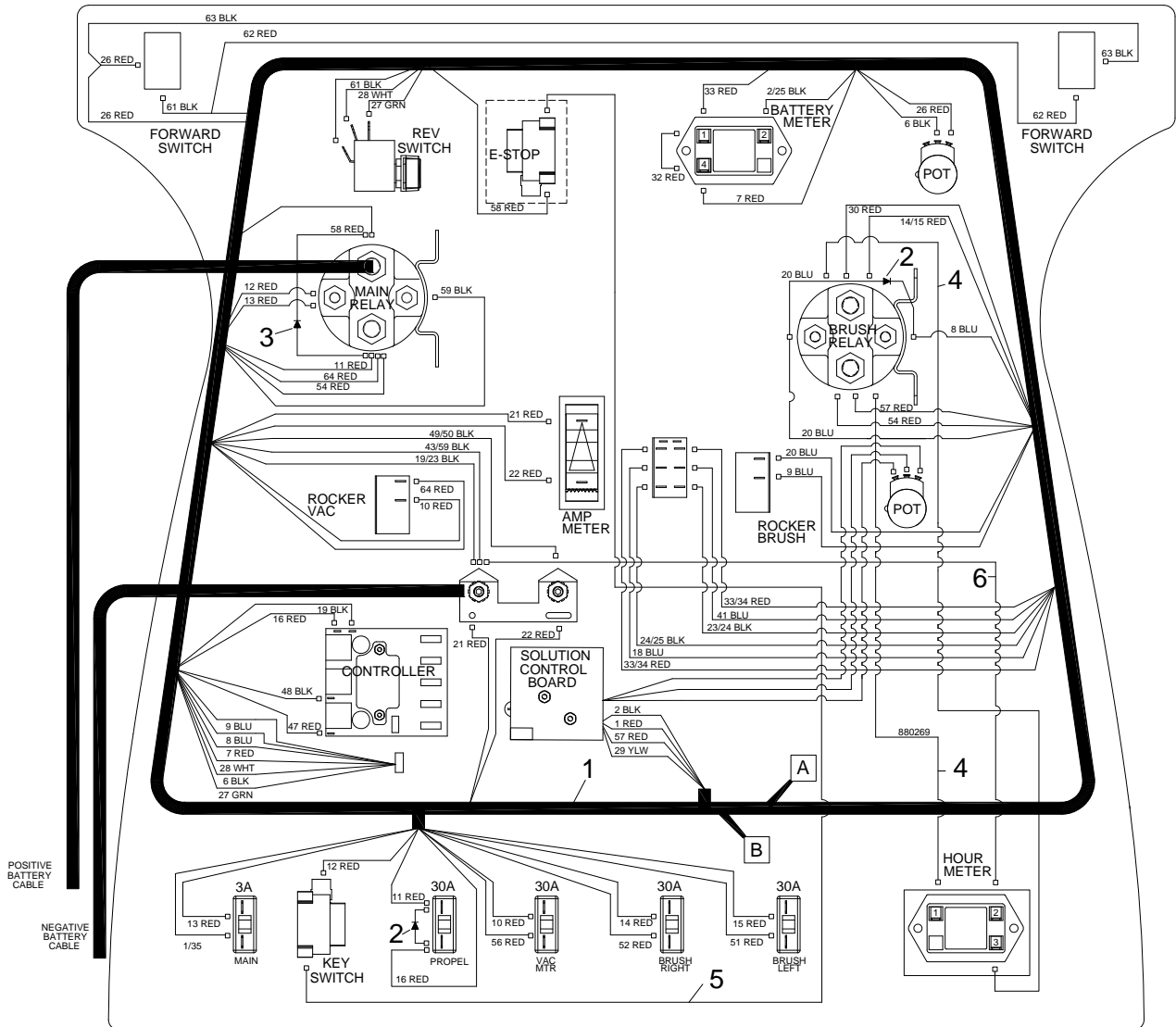
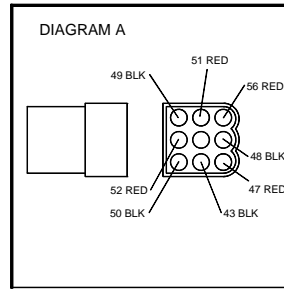
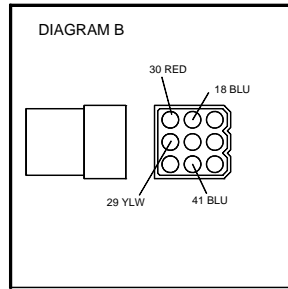
# WIRING- BATTERY




**WIRING-BATTERY**

| REF | PART NO. | PRV NO. | QTY | DESCRIPTION                            | SERIAL NO.<br>FROM | NOTES: |
|-----|----------|---------|-----|--|--------------------|--------|
| 1   | 86010120 | 82803   | 1   | CONNECTOR, RED 24V                     |                    |        |
| 2   | 86271870 | 57290   | 2   | NUT, 1/4-20 HEX NYLOCK THIN SS         |                    |        |
| 3   | 86271910 | 57295   | 8   | NUT, 5/16-18 FLEXLOCK                  |                    |        |
| 4   | 86008920 | 80889   | 8   | BOOT, RUBBER TERM. ISOLATOR            |                    |        |
| 5   | 86009000 | 81131   | 3   | WIRE, 4 X 9.5 BK 5/16 RING X 5/16 RING |                    |        |
| 6   | 86010850 | 880352  | 1   | WIRE, 4X20 RD C, TERM X 5/16 RING      |                    |        |
| 7   | 86010860 | 880353  | 1   | WIRE, 4X20 BK C, TERM X 5/16 RING      |                    |        |
| 8   | 86260520 | 880384  | 2   | WIRE, 4X67 BK C. TERM 5/16 RING        |                    |        |
| 9   | 86233360 | 28038   | 1   | CLAMP, CABLE KIT SY945                 |                    |        |
| 10  | 86270890 | 57034   | 1   | NUT, ACORN 10-32                       |                    |        |
| 11  | 86010650 | 87018   | 1   | WASHER, #10 X 9/16 OD                  |                    |        |
| 12  | 86273980 | 70066   | 1   | SCR, 10-32 X 3/4 PPHMS SS              |                    |        |

# WIRING-CONTROL PANEL

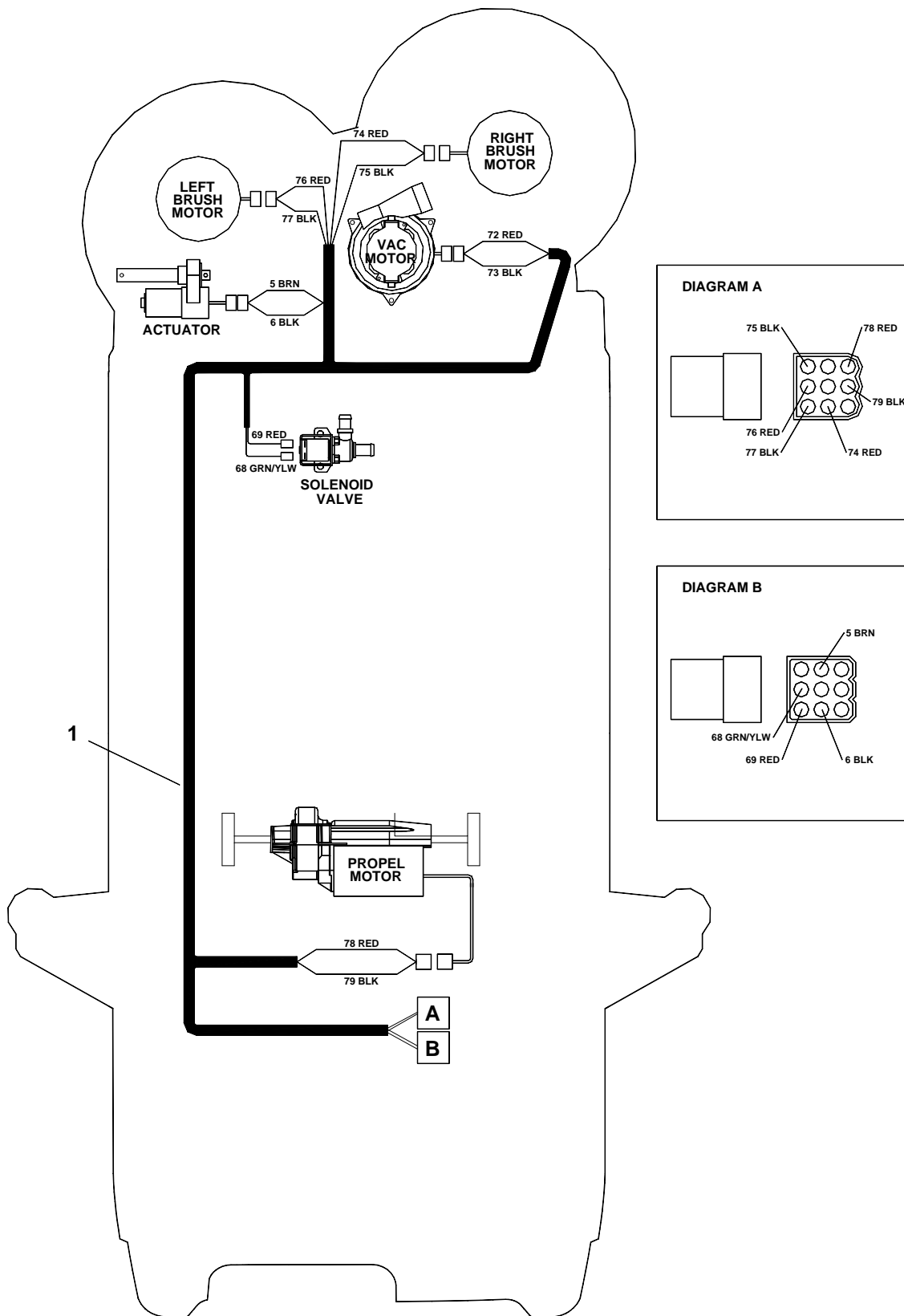


 INDICATES OPTIONAL ACCESSORY.

## WIRING-CONTROL PANEL

| REF | PART NO. | PRV NO. | QTY | DESCRIPTION                    | SERIAL NO.<br>FROM | NOTES: |
|-----|----------|---------|-----|--------------------------------|--------------------|--------|
| 1   | 86238990 | 41442   | 1   | HARNESS, PANEL, DELUXE         |                    |        |
| 2   | 86261210 | 29204   | 2   | DIODE ASM, 76008 X 76008       |                    |        |
| 3   | 86003410 | 29215   | 1   | DIODE ASM, 76075 X 76075       |                    |        |
| 4   | 86267340 | 880269  | 2   | WIRE, 22" RED/18 76040 X 76075 |                    |        |
| 5   | 86269300 | 88868   | 1   | WIRE, 16" RED/18 STRIP X STRIP |                    |        |
| 6   | 86267360 | 880271  | 1   | WIRE, 14" BLK/18 76011 X 76040 |                    |        |

# WIRING-MAIN HARNESS

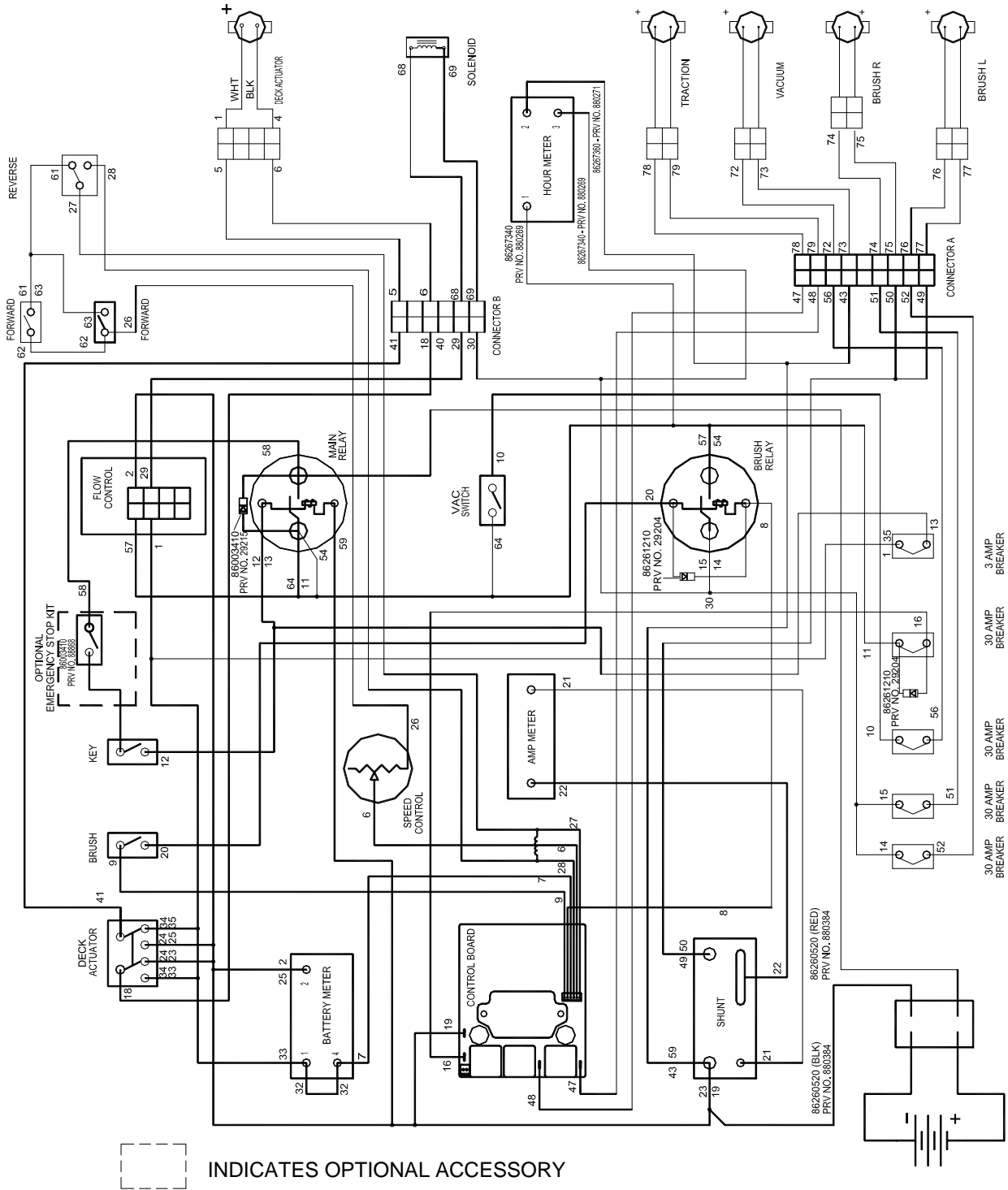




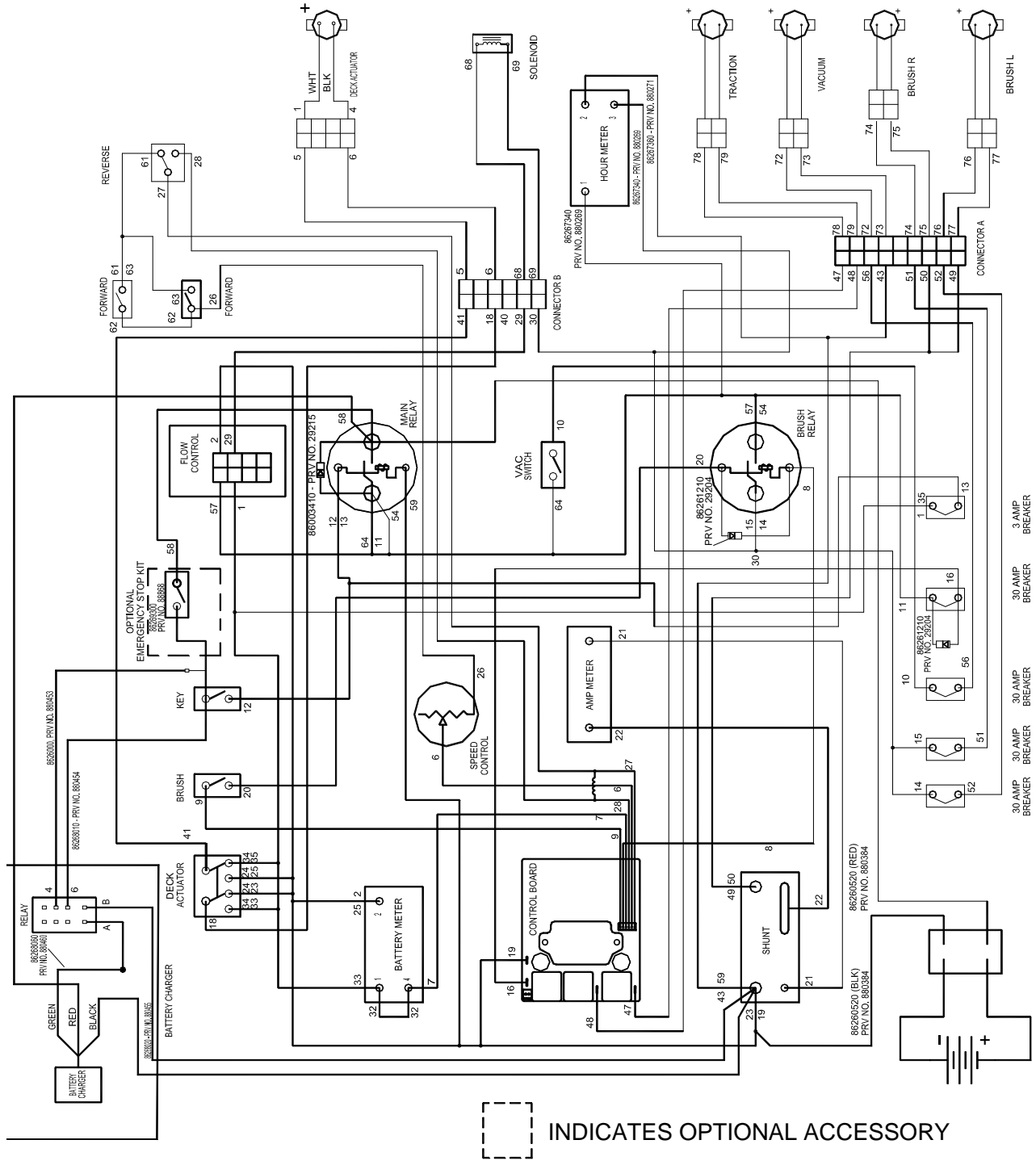
## **WIRING-MAIN HARNESS**

| REF | PART NO. | PRV NO. | QTY | DESCRIPTION   | SERIAL NO.<br>FROM | NOTES: |
|-----|----------|---------|-----|---------------|--------------------|--------|
| 1   | 86238980 | 41441   | 1   | HARNESS, MAIN |                    |        |

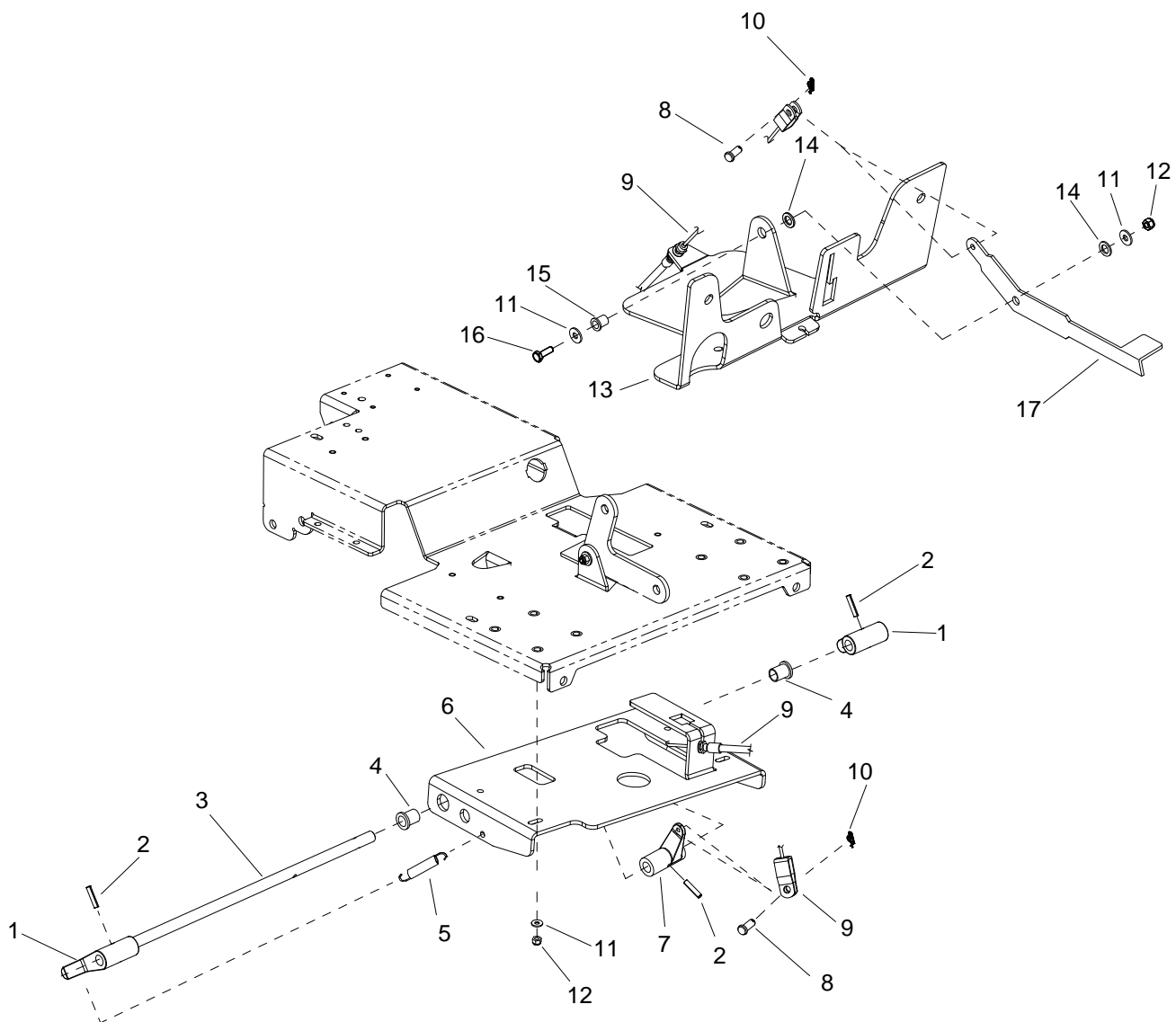
# WIRING-SCHEMATIC –SCX264, SCX324



# WIRING – SCHEMATIC-SCXC264, SCXC324



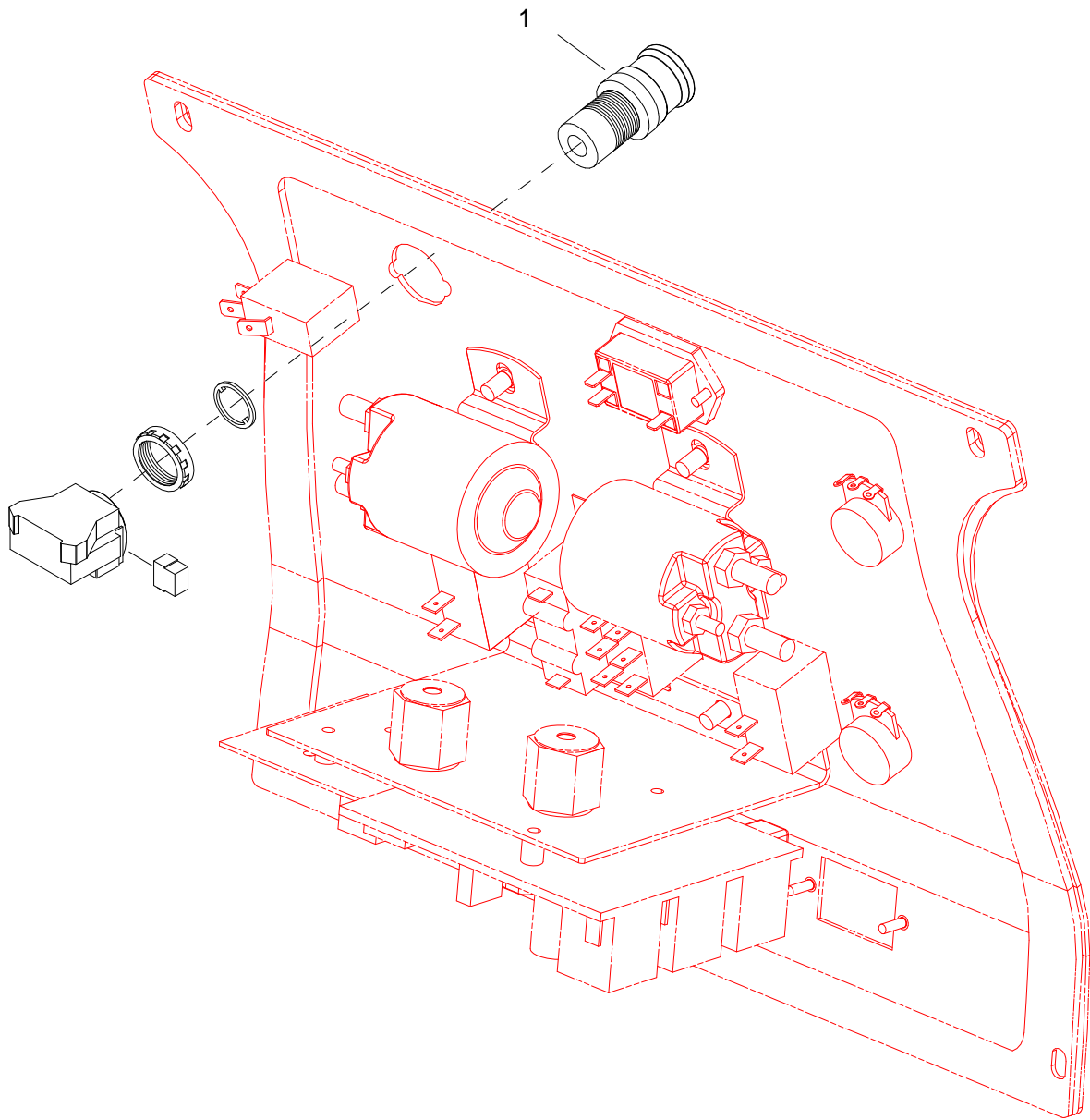
# BRAKE-OPTION



**BRAKE-OPTION**

| REF | PART NO. | PRV NO. | QTY | DESCRIPTION                        | SERIAL NO.<br>FROM | NOTES: |
|-----|----------|---------|-----|------------------------------------|--------------------|--------|
| 1   | 86248370 | 66381   | 2   | PAD, BRAKE                         |                    |        |
| 2   | 86006220 | 66192   | 3   | PIN, ROLL 1/4 X 1.25L              |                    |        |
| 3   | 86252070 | 67486   | 1   | ROD, BRAKE 24V                     |                    |        |
| 4   | 86231330 | 14664   | 2   | BUSH, BRZ FLG .63 X .75 X 1.0      |                    |        |
| 5   | 86255060 | 73426   | 2   | SPRING, EXT .43D X 2.50 L X .047 W |                    |        |
| 6   | 86070070 | 140565  | 1   | BRKT, LOWER BRAKE MOUNT 24V        |                    |        |
| 7   | 86234850 | 27956   | 1   | CRANK, BRAKE                       |                    |        |
| 8   | 86272610 | 80669   | 2   | PIN, CLEVIS 5/16" X 3/4" L PLTD    |                    |        |
| 9   | 86231820 | 27961   | 1   | CABLE, PARK BRAKE                  |                    |        |
| 10  | 86008660 | 80605   | 2   | COTTER, 5/16" RING                 |                    |        |
| 11  | 86010630 | 87013   | 6   | WASHER, 1/4 ID X 5/8 OD SS         |                    |        |
| 12  | 86271870 | 57290   | 5   | NUT, 1/4-20 HEX NYLOCK THIN SS     |                    |        |
| 13  | 86070150 | 140574  | 1   | BRKT, TANK MOUNT 24V               |                    |        |
| 14  | 86259400 | 87205   | 1   | WASHER, THRUST .51 ID X 1 OD BRO   |                    |        |
| 15  | 86228900 | 09138   | 1   | BEARING, FLANGED .252ID X .503OD   |                    |        |
| 16  | 86273820 | 70019   | 1   | SCR, 1/4-20 X 1.25 HHCS SS         |                    |        |
| 17  | 86077280 | 51378   | 2   | LEVER, BRAKE                       |                    |        |

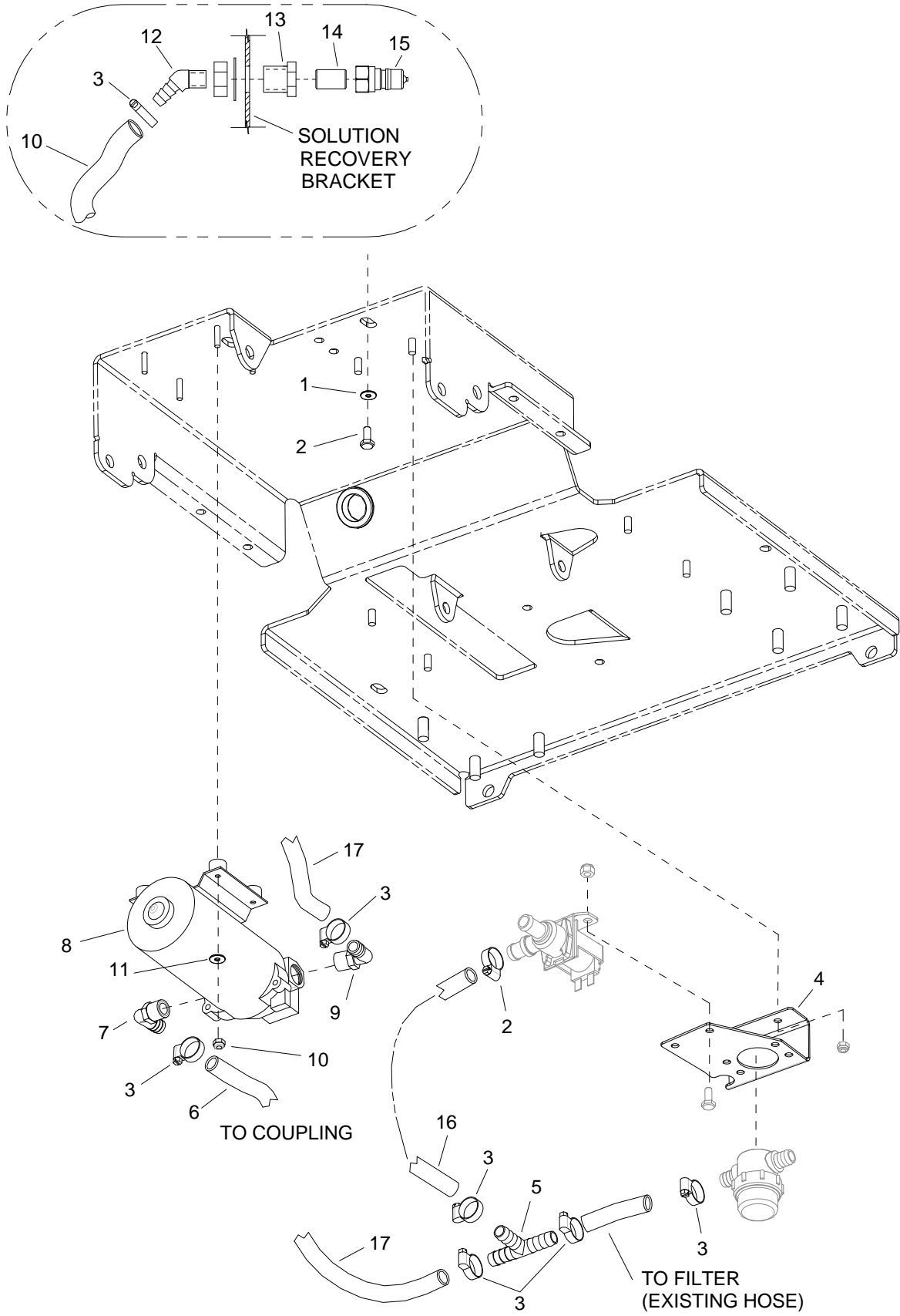
# EMERGENCY STOP-OPTION



## **EMERGENCY STOP-OPTION**

| REF | PART NO. | PRV NO. | QTY | DESCRIPTION                    | SERIAL NO.<br>FROM | NOTES:    |
|-----|----------|---------|-----|--------------------------------|--------------------|-----------|
| 1   | 86007180 | 72160   | 1   | SWITCH, EMERGENCY STOP         |                    |           |
| 2   | 86269300 | 88868   | 1   | WIRE, 16" RED/18 STRIP X STRIP |                    | NOT SHOWN |

# ACCESSORY PUMP-OPTION

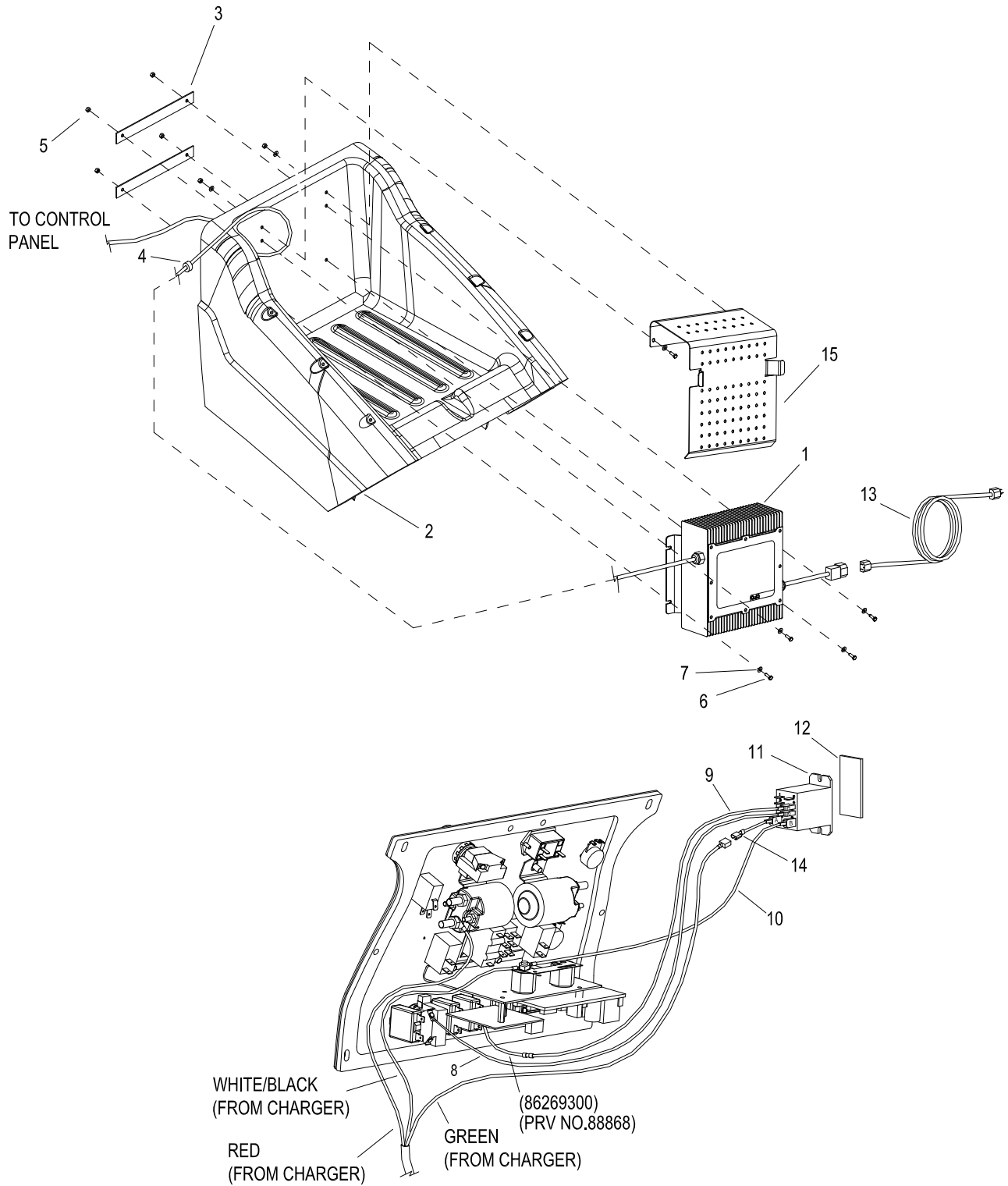




## ACCESSORY PUMP-OPTION

| REF | PART NO. | PRV NO. | QTY | DESCRIPTION                    | SERIAL NO.<br>FROM | NOTES:    |
|-----|----------|---------|-----|--------------------------------|--------------------|-----------|
| 1   | 86010670 | 87029   | 1   | WASHER, 5/16 FLAT SS           |                    |           |
| 2   | 86276780 | 70728   | 1   | SCR, 5/16-18 X 3/4 HHCS SS     |                    |           |
| 3   | 86233150 | 20042   | 6   | CLAMP, 3/8 HOSE (D-SLOT)       |                    |           |
| 4   | 86070140 | 140573  | 1   | BRKT, FILTER/SOLENOID MOUNT    |                    |           |
| 5   | 86240410 | 40078   | 1   | HOSEBARB, 1/2 TEE              |                    |           |
| 6   | 86282200 | 39617   | 1   | HOSE 3/8 X 40" WIRE BOUND      |                    |           |
| 7   | 86001550 | 40043   | 1   | HOSEBARB, 3/8MPT X 3/8 90D     |                    |           |
| 8   | 86026370 | 65180   | 1   | PUMP ASM, 24V ACCESSORY        |                    |           |
| 9   | 86197940 | 40027   | 1   | HOSEBARB, 3/8MPT X 1/2 90 D DL |                    |           |
| 10  | 86270990 | 57090   | 4   | NUT, 10-32 HEX NYLOCK SS       |                    |           |
| 11  | 86010650 | 87018   | 4   | WASHER, #10 X 9/16 OD          |                    |           |
| 12  | 86197620 | 40038   | 1   | HOSEBARB, 1/4MPT X 3/8 45D DL  |                    |           |
| 13  | 86002470 | 22072   | 1   | COUPLING, 1/4 ANCHOR W/1" HEX  |                    |           |
| 14  | 86005590 | 56014   | 1   | NIPPLE, 1/4 CLOSE              |                    |           |
| 15  | 86005580 | 56012   | 1   | NIPPLE, 1/4 FPT QD             |                    |           |
| 16  | 86282110 | 39571   | 1   | HOSE, 1/2" WIREBOUND X 5.5     |                    |           |
| 17  | 86280750 | 151-38A | 1   | HOSE, 1/2 WIREBOUND X 21"      |                    |           |
| -   | 86239020 | 41463   | 1   | HARNESS PUMP KIT ADAPTER       |                    | NOT SHOWN |
| -   | 86264940 | 27051   | 3   | CABLE TIE, 11.38" UL/CSA       |                    | NOT SHOWN |

# BATTERY CHARGER-SCC326



**BATTERY CHARGER-SCC326**

| REF | PART NO. | PRV NO. | QTY   | DESCRIPTION                    | SERIAL NO.<br>FROM | NOTES: |
|-----|----------|---------|-------|--------------------------------|--------------------|--------|
| 1   | 86232940 | 270126  | 1     | CHARGER, DELTA-Q, 24V, 25A     |                    |        |
| 2   | 86031810 | 279003  | 1     | COVER, TOP, 24V GRY OBC        |                    |        |
| 3   | 86073430 | 149986  | 2     | BRKT, CHARGER DELTA-Q          |                    |        |
| 4   | 86226550 | 36055   | 1     | GROMMET, 1/2 ID X 1/4 GROOVE   |                    |        |
| 5   | 86005810 | 57245   | 6     | NUT, 1/4-20 HEX NYLOCK SS      |                    |        |
| 6   | 86275490 | 70489   | 6     | SCR, 1/4-20 X 1.0 BH BLK PLATE |                    |        |
| 7   | 86279520 | 87172   | 8     | WASHER, 1/4 ID FLAT BLK        |                    |        |
| 8   | 86268010 | 880454  | 1     | WIRE, 20" RED/16 76033 X STRIP |                    |        |
| 9   | 86268000 | 880453  | 1     | WIRE, 12" RED/16 76033 X 76009 |                    |        |
| 10  | 86268020 | 880455  | 1     | WIRE, 20" BLK/16 76001 X 76033 |                    |        |
| 11  | 86251450 | 830962  | 1     | RELAY, 15A 24V MINI            |                    |        |
| 12  | 86133400 | 99817   | 0.125 | TAPE, 1/32T X 1.0 25A          |                    |        |
| 13  | 86234390 | 23725   | 1     | CORD ASM, 16/3 SJTW X 2M IEC   |                    |        |
| 14  | 86268060 | 880460  | 1     | WIRE, 2" GRN/16 76033 X 76044  |                    |        |
| 15  | 86075390 | 270147  | 1     | COVER, CHARGER DELTA-Q         |                    |        |

## SUGGESTED SPARE PARTS

| PART NO. | PRV NO. | DESCRIPTION                    | SERIAL NO.<br>FROM | NOTES: |
|----------|---------|--------------------------------|--------------------|--------|
| 86001910 | 14606   | BREAKER, 30A 50VDC             |                    |        |
| 86002000 | 14717   | BREAKER, 3A                    |                    |        |
| 86230810 | 140551  | BRUSH SET, 24V 3ST VAC AMETEK  |                    |        |
| 86135310 | 140686  | BRUSH SET, 24V/36V VAC WINDSOR | 1000122411         |        |
| 86006420 | 67393   | RELAY, 24VDC 100A              |                    |        |
| 86007140 | 72130   | SWITCH, SPST 2-POSITION ROCKER |                    |        |
| 86009200 | 81535   | KNOB, 3/8-16 4 PRONG           |                    |        |
| 86007430 | 730114  | BLADE, SQUEEGEE REAR           |                    |        |
| 86008020 | 73894   | BLADE, SQUEEGEE FRONT          |                    |        |
| 86003990 | 35250   | GASKET, DOME                   |                    |        |
| 86236410 | 34394   | FLOAT, VAC SHUT OFF            |                    |        |
| 86001410 | 140507  | BLADE, 13 IN LEFT              |                    |        |
| 86001400 | 140506  | BLADE, 13 IN RIGHT             |                    |        |
| 86007430 | 730114  | SQUEEGEE, REAR BLADE LINTEX    |                    |        |
| 86008020 | 73894   | SQGE BLADE, FRONT LINATEX 35"  |                    |        |
| 86007440 | 730119  | SKIRT 26 INCH LEFT             |                    |        |
| 86007450 | 730120  | SKIRT 26 INCH RIGHT            |                    |        |
| 86004860 | 48073   | KEY, SWITCH                    |                    |        |

**NOTES:**



Manufacturers of Innovative Building Maintenance Equipment

Windsor Industries, Inc.  
1351 West Stanford Avenue  
Englewood, CO 80110 USA

Phone: 303.762.1800  
FAX: 303.762.0817  
http://www.windsorind.com

### EC Declaration of Conformity

We herewith declare, Windsor Industries, Inc.  
1351 W. Stanford Ave.  
Englewood, CO 80110-5545 USA

that the following product complies with the appropriate essential health and safety requirements of the relevant EC Directives listed below, based on the relevant sections of the applicable EC standards and other normative documents.

**Product:** Saber Cutter 326  
Saber Cutter Deluxe 326

**Product Identification:** Rated 36 VDC 70 A

**Trademark:**



**Model/Type Ref.:** SC326  
SCX326

**Product Description:** This product is a battery powered, self-propelled, wet floor scrubber intended for commercial use.

**Applicable EC Directives:** EC Machinery Directive  
(89/392/EEC & 91/368/EEC & 93/44/EEC & 93/68/EEC)  
EC Low Voltage Directive  
(73/23/EEC & 93/68/EEC)  
EC Directive of Electromagnetic Compatibility  
(89/336/EEC & 93/68/EEC)

**Applicable Harmonized Standards:** EN 60335-1: 1991  
EN 60335-2-67: 1992  
EN 60335-2-72: 1995  
EN 55022: 1998-09  
EN 55011: 1998-05  
EN 61000-6-2: 1999  
EN 61000-4-2: 1995  
EN 61000-4-3: 1997

Authorized Signature

4/10/02  
Date

**Title of Signature:** Vice President, Windsor Industries, Inc.

**QUEST** for Continuous Improvement.  
Windsor's Quality Management System is Certified ISO 9001.



Manufacturers of Innovative Building Maintenance Equipment

Windsor Industries, Inc.  
1351 West Stanford Avenue  
Englewood, CO 80110 USA

Phone: 303.762.1800  
FAX: 303.762.0817  
http://www.windsorind.com

### EC Declaration of Conformity

We herewith declare, Windsor Industries, Inc.  
1351 W. Stanford Ave.  
Englewood, CO 80110-5545 USA

that the following product complies with the appropriate essential health and safety requirements of the relevant EC Directives listed below, based on the relevant sections of the applicable EC standards and other normative documents.

**Product:** Saber Cutter 326  
Saber Cutter Deluxe 326

**Product Identification:** Rated 36 VDC 70 A

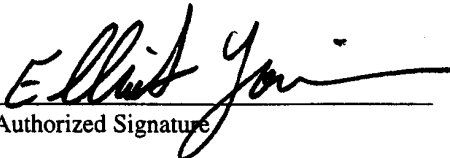
**Trademark:**  


**Model/Type Ref.:** SCE326  
SCEX326

**Product Description:** This product is a battery powered, self-propelled, wet floor scrubber intended for commercial use.

**Applicable EC Directives:** EC Machinery Directive  
(89/392/EEC & 91/368/EEC & 93/44/EEC & 93/68/EEC)  
EC Low Voltage Directive  
(73/23/EEC & 93/68/EEC)  
EC Directive of Electromagnetic Compatibility  
(89/336/EEC & 93/68/EEC)

**Applicable Harmonized Standards:** EN 60335-1: 1991  
EN 60335-2-67: 1992  
EN 60335-2-72: 1995  
EN 55022: 1998-09  
EN 55011: 1998-05  
EN 61000-6-2: 1999  
EN 61000-4-2: 1995  
EN 61000-4-3: 1997

  
Authorized Signature

4-10-02  
Date

**Title of Signature:** Vice President, Windsor Industries, Inc.

