



FLOOR MACHINES

Q-LINE SERIES MODEL Q-1500

INTRODUCTION

OPERATING & MAINTENANCE INSTRUCTIONS

READ THIS BOOK

This operator's book has important information for the use and safe operation of this machine. Read this book carefully before starting the machine. Keep this book and tell all operators to read the book. If you do not follow the instructions, you can cause an injury or damage equipment, furniture or buildings.

The contents of this manual are based on the latest product information available at the time of publication. Triple S reserves the right to make changes or improvements to its machines without notice.

For new books write to:

Triple S
2 Executive Park Drive
Billerica, MA 01862

Carefully inspect all components to ensure that there is no concealed freight damage. If such damage is discovered, file a "CONCEALED DAMAGE REPORT" immediately with the delivering carrier.

**FOR YOUR CONVENIENCE, RECORD THE
MACHINE MODEL AND SERIAL NUMBER:**

MODEL _____

SERIAL NUMBER _____

IMPORTANT SAFETY INSTRUCTIONS

To assure the safe operation of this machine, you must read and understand all warnings and instructions in this book. If you do not understand, ask your supervisor.

READ ALL INSTRUCTIONS BEFORE USING THIS MACHINE

WARNING: To reduce the risk of fire, electric shock, or injury:

1. You must be trained to operate this machine. This machine is to be operated for its intended use only.
2. Do not operate this machine unless it is completely assembled.
3. Always use a three-wire electrical system connected to the electrical ground. For maximum protection against electrical shock, use a circuit that is protected by a ground fault circuit interrupter. Consult your electrical contractor.
4. To prevent electric shock, always remove the electrical plug from the electrical outlet before doing any repairs or maintenance and when leaving the machine unattended.
5. To prevent electric shock, keep the machine surface dry. Do not subject to rain. Store the machine in a dry building area. Clean the machine with a dry cloth only.
6. Machines can cause an explosion when near flammable materials and vapors. Do not use this machine with or near fuels, grain dust, solvents, thinners, or other flammable materials. Do not use flammables to clean this machine.
7. A qualified or authorized person must do maintenance and repairs.
8. To prevent damage to the power cord, do not move this machine over the power cord. Always lift the power cord over the machine. Do not pull or carry cord, use cord as a handle, close a door on cord, or pull cord around sharp edges or corners. Keep cord away from heated surfaces.
9. Do not use with damaged cord or plug. If the machine is not working as it should, has been dropped, damaged, left outdoors, or dropped into water, return it to a service center.

Grounding Instructions

This machine must be grounded. If it should malfunction or break down, grounding provides a path of least resistance for electric current to reduce the risk of electric shock. This machine is equipped with a cord having an equipment-grounding conductor and grounding plug. The plug must be inserted into an appropriate outlet that is properly installed and grounded in accordance with all local codes and ordinances.

WARNING - Improper connection of the equipment-grounding conductor can result in a risk of electric shock. Check with a qualified electrician or service person if you are in doubt as to whether the outlet is properly grounded. Do not modify the plug provided with the machine - if it will not fit the outlet, have a proper outlet installed by a qualified electrician.

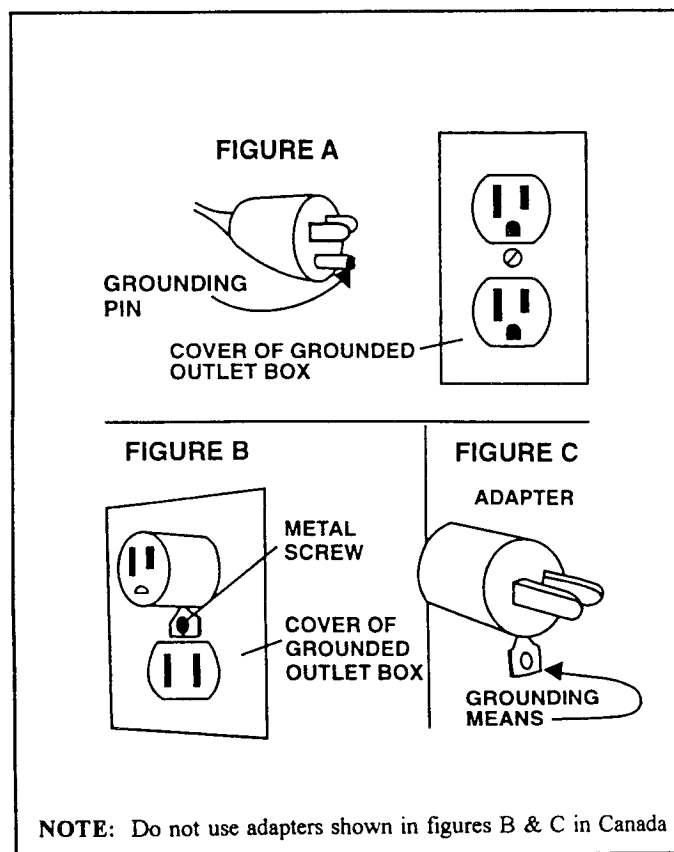
This machine is for use on a nominal 120-volt circuit, and has a grounded plug that looks like the plug illustrated in figure A. A temporary adapter that looks like the adapter illustrated in figures B and C may be used to connect this plug to a 2-pole receptacle as shown in figure B if a properly grounded outlet is not available. The temporary adapter should be used only until a properly grounded outlet (figure A) can be installed by a qualified electrician. The green colored rigid ear, lug, or the like extending from the adapter must be connected to a permanent ground such as a properly grounded outlet box cover. Whenever the adapter is used, it must be held in place by a metal screw.

NOTE: In Canada, the use of a temporary adapter is not permitted by the Canadian Electrical Code

EXTENSION CORDS

Use only three-wire 12/3 or larger gauge approved extension cords that have three-prong grounding type plugs and three-pole receptacles that accept the appliance's plug. Replace or repair any damaged cords or plugs.

When servicing, refer to authorized person only. Use only identical replacement parts.



OPERATING PROCEDURES

WARNING! For the safe operation of this machine follow the instructions given in this booklet and the training given by your supervisor. Failure to do so can result in personal injury and/or damage to machine and property!

DO NOT OPERATE MACHINE IN AN EXPLOSIVE ENVIRONMENT!

The models shown in this manual are intended for commercial use.

PREPARATION

To prepare the machine for operation, make sure it is of correct voltage and properly assembled. If in doubt, ask your supervisor.

Your new floor machine operates in a straight-line forward motion, rather than the normal side to side motion of a conventional single disc machine. Be prepared by having your floor area cleared and ready for the fast action of a burnisher.

Prepare the floor area by sweeping, dusting or mopping as needed. Check the proper application recommendations and procedures found on the label of your finish container. **IF IN DOUBT, CALL YOUR SUPERVISOR.**

WARNING! NEVER USE THIS MACHINE WITH FLAMMABLE OR EXPLOSIVE MATERIAL!

For Burnishing: Select the correct clean SSS Floor Pad (your Triple S Distributor can assist you). The lighter color floor pads (buff or white) are normally used for the burnishing procedure.

NEVER OPERATE THE MACHINE WITHOUT THE FLOOR PAD INSTALLED!

It is very important to select clean, dry pads of uniform thickness. Pads with high or low sections, or hard or soft spots are unacceptable. Pads of open weave are recommended, because close weaves tend to load up fast, bog down the machines, cause circuits to overload and generally give poor results.

Tip the machine back to expose the pad driver. Remove the pad center lock ring. Carefully center the pad onto the pad driver and secure with the locking ring. Check for level, centering and flatness.

OPERATION

Set the machine upright onto the pad. Plug the machine's power cable into a properly grounded outlet (see Safety Instructions). Next, release the handle locking knob and allow the handle to lower into a comfortable position. Then secure the handle locking knob. This will allow the operator to easily control the brush pressure.

Depress the handle slightly to elevate the pad from the floor. This is to avoid burning the floor on initial start up, before the operator is ready to move forward. Pull out on the "Watch Dog" Safety Lock button and start the machine by depressing either the left or right switch levers.

When you're ready to move forward, lower the machine head and pad to the floor and proceed forward in a straight line, at a steady pace.

MAINTENANCE

AFTER EACH USE: Store the machine in a clean dry area. Wipe the entire machine and cord down with a clean cloth. Remove the pad and clean thoroughly. Wrap the machine's electrical cord onto the handles and the cord hook provided. **CHECK** the cord and plug for nicks, cuts or damage. Report these to your supervisor for correction.

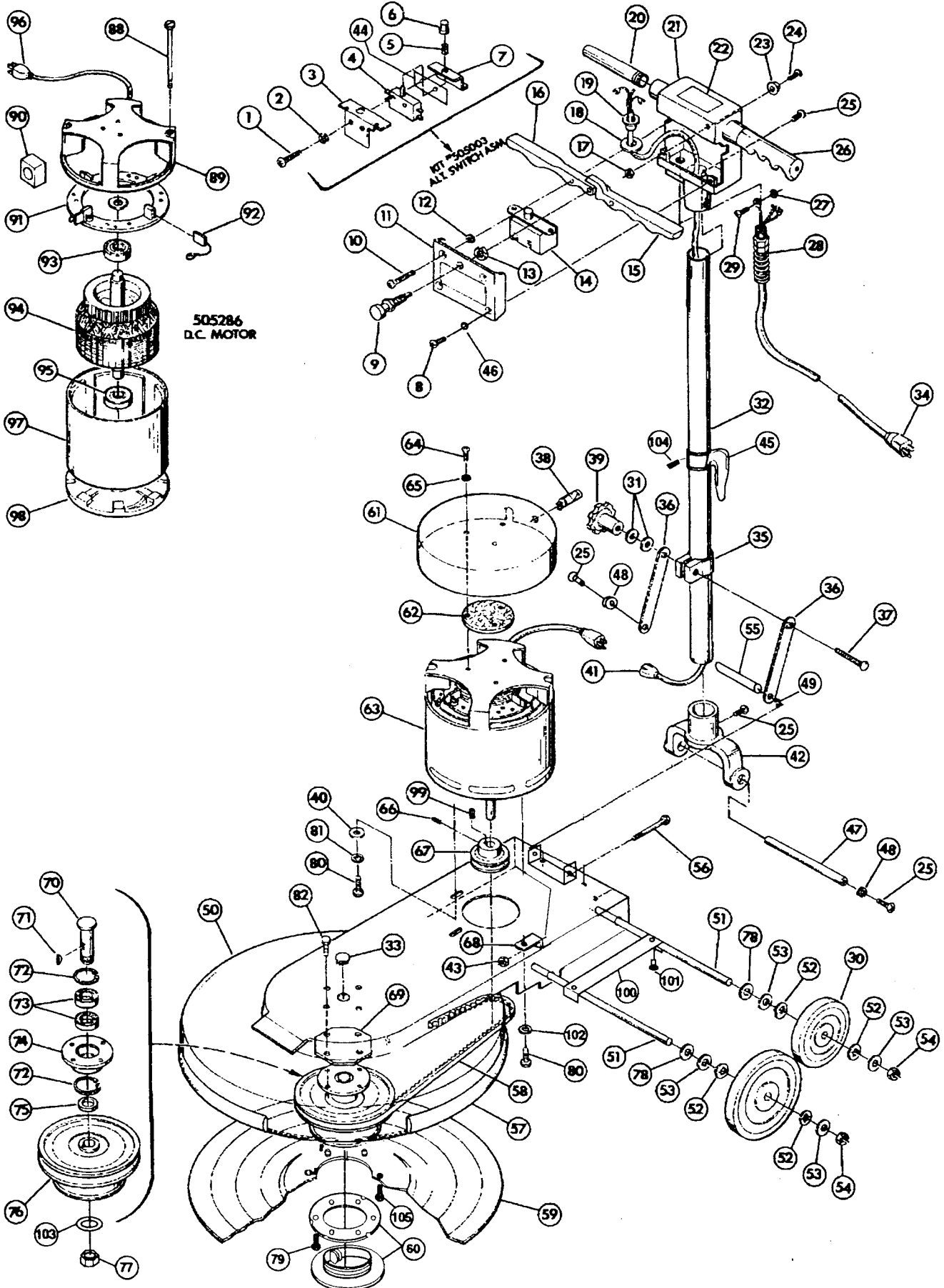
WARNING! Always disconnect the machine's electrical plug from the electrical outlet before performing any service, maintenance, pad changing or inspection of the machine.

MOTOR: The motor is lubricated for life under normal use. No oiling or greasing is necessary. However, if the machine is used in dusty areas the motor should be cleaned. Blowing the motor out with compressed air or with the exhaust from a vacuum is suggested. Keeping the motor clean will allow the clear passage of air for ventilation and prevent overheating.

BELT TENSION: Proper belt tension is important for smooth operation and belt life. Check the belt tension and have no more than a 1/8-inch deflection. If adjustment is needed, loosen the four (4) motor mounting bolts. Then turn the belt tension adjustment screw (located at the rear of the chassis) clockwise to tighten or counter-clockwise to loosen the belt. Tighten the four (4) motor mounting bolts.

CARBON BRUSH INSPECTION: Long life 3000-hour carbon brushes are installed in the motor. The machine is also equipped with a carbon brush wear indicator light to signal when a carbon brush change is required.

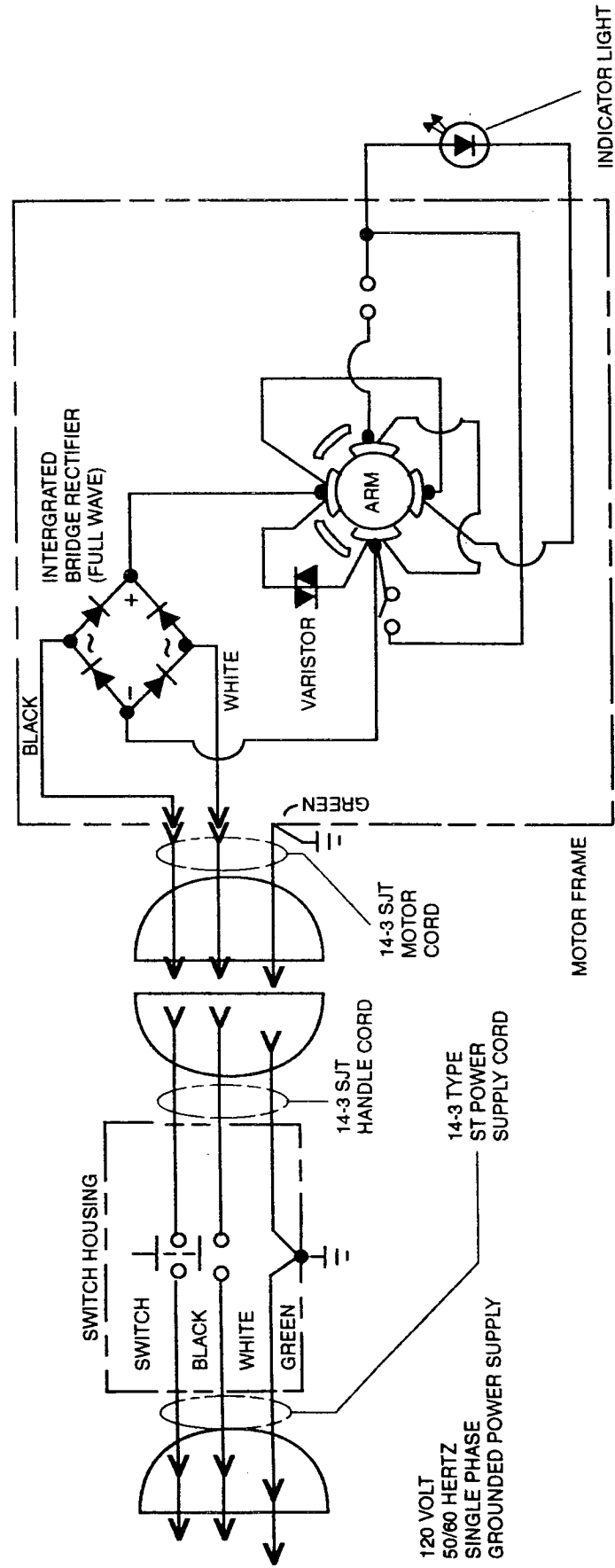
Q-1500



Q-1500 Parts List

ITEM	PART NO.	DESCRIPTION	QTY.	ITEM	PART NO.	DESCRIPTION	QTY.
1	W323D	Screw, 6-32x1 Pan Hd.	2	53	509820	Washer, Fiber	8
2	980016	Washer, #6 Ext. Tooth	2	54	S482P	Snap Axle Cap	4
3	500801	Bracket, Sw itch Moun ting	1	55	507481	Rod, Brace	1
4	911135	Sw itch	1	56	W370D	Screw, 5/16-18x3-3/4 (1500)	1
5	508301	Spring	1	57	481204	Bumper Base	1
6	507001	Plunger	1	58	962	Belt (1500)	1
7	500802	Bracket, Sw itch	1	59	515904	Pad Asm. Flex Drive	1
8	962002	Screw, 10-32 x 1/2 Oval Hd.	2	60	504470	Holder Asm.-Pad	1
9	504810	Interlock Asm.-Sw itch	1	61	502396	Cover, Motor	1
10	962011	Screw, 10-32 x 3/4 Oval Hd.	2	62	509823	Washer, Felt 3/16 x 3	1
11	486404	Sw itch Cover Plate	1	63	505286	Motor, 1.5 HP 115V DC IMP	1
12	509821	Washer, Rubber	2		505278	Motor, 1.5 HP 230V DC IMP	1
13	920005	Nut, 3/8-24 Hex	1	64	962026	Screw, 8-32 x 1/2	3
14	505003	Sw itch Assembly	1	65	980013	Washer	1
15	505121	Lever, Sw itch Left	1	66	W168D	Set Screw	1
16	505120	Lever, Sw itch Right	1	67	1494	Pulley Motor (1500)	1
17	920001	Nut, 10-32 Elastic Stop	1	68	1451	Belt Tightener	1
18	509830	Washer, Handle Tube	1	69	1008	Spacer	1
19	503320	Flange, Strain Relief	1	70	1405	Drive Shaft	1
20	505720	Handle Nipple	2	71	1400	Woodruff Key	1
21	481304	Sw itch Housing,w/o Circuit Brkr	1	72	139	Snap Ring	2
22	515150	Warning Label	1	73	143	Bearing, Drive Shaft	2
23	501210	Bumper, Handle	1	74	1416	Bearing Housing	1
24	962003	Screw, 10-32 x 3/4 Pan Hd.	1	75	1401	Spacer, Drive Shaft	1
25	962006	Screw, 1/4-20 x 1/2 Pan Hd.	7	76	1460	Pulley Pad (1500)	1
26	503711	Handle Grip, Grey	2	77	W204D	Nut, 5/8-18 Hex	1
	501501	Cap, Protective End (Blue)	2	78	W120D	Washer, 7/16 Flat	4
27	980015	Washer, #10 Shakeproof	2	79	962076	Screw, #8 x 5/8 Pan Hd.	3
28	508520	Strain Relief-Complete	1	80	W504D	Screw, 3/8-16 x 3/4 HH	4
	502020	Strain Relief-Brass Clamp	1	81	980009	Washer, 3/8 Lock	3
29	962015	Screw, 10-32 x 3/8 Pan Hd.	2	82	W189D	Screw, 1/4-20 x 3/4 HH CS	4
30	509781	Wheel, 5"	4	88	960018	Bolt-Motor Thru	4
31	980007	Washer, 5/16 Flat	2	89	502920	End Bell Motor Top 115V	1
32	509082	Handle Tube	1		502930	End Bell Motor Top 230V	1
33	S799NP	Plug	1	90	911048	Rectifier-Bridge 115V	1
34	502421	Cord Asm.Grey	1		911081	Rectifier-Bridge 230V	1
35	502021	Clamp-Handle	1	91	507322	Brush Ring Asm. Complete 115	1
36	500880	Arm, Handle Support	2		507326	Brush Ring Asm. Complete 230	1
37	962009	Bolt, Carriage 5/16-18 x 2-1/2	1	92	500903	Brush, Carbon Motor 115V	4
38	505181	Light-Brush Wear Indicator 115VDC	1		510901	Brush, Carbon Motor 230V	4
	505182	Light-Brush Wear Indicator 230VDC	1	93	902003	Bearing-Motor Top	1
39	505010	Turn Knob	1	94	500417	Armature 115V	1
40	980003	Washer, 3/8 Flat	3		500424	Armature 230V	1
41	908004	Handle Cord	1	95	902012	Bearing-Motor Low er	1
42	509920	Yoke, Handle	1	96	908024	Cord Asm.	1
43	920012	Nut, 5/16-18 ESNA Lock	1	97	503117	Field/Shell Asm.	1
44	504702	Insulator, Sw itch	1	98	502919	End Bell Low er	1
45	504420	Cord Hook	1	99	1408	Key-Motor	1
46	980018	Washer, #10 Countersunk	1	100	487201	Retainer, Axle	1
47	487701	Shaft, Handle Yoke	1	101	962016	Screw, 10-32 x 3/8 Set	2
48	980002	Washer, 1/4 Lock	3	102	980021	Washer, 3/8 Int. Tooth	1
49	507310	Snap Ring	1	103	980074	Washer, 5/8 Int. Tooth	1
50	483212	Base (1500)	1	104	962005	Screw, 1/4-20 x 3/8 Allen	1
51	487703	Wheel Axle	2	105	W378D	Screw, 1/4-20 x 3/4 FH	6
52	980005	Washer, Wave	8				

WIRING DIAGRAM



**SSS FLOOR MACHINE, MODEL Q-1500
LIMITED WARRANTY**

The SSS Floor Machine, Q-Line Series has been manufactured, tested and inspected in accordance with specific engineering requirements, and is **WARRANTED** by the manufacturer to be free from defects in workmanship and materials.

This warranty is, however, subject to the following qualifications, conditions and limitations which are set forth to provide you and all users of the SSS Floor Machine, Q-Line Series with information concerning the duration, extent, availability and applicability of this Limited Warranty, the procedure to be taken to obtain its performance and other information concerning the manufacturer's warranty policy.

1. TO WHOM EXTENDED AND DURATION OF ITEMS COVERED

This warranty extends to the original consumer purchaser from the date it was purchased and for the items and periods as follows:

Five (5) years - Base, Welded steel (reference Item 50)
Eighteen (18) months - DC Motor
One (1) year - All other components unless excluded below.

2. PARTS NOT COVERED BY WARRANTY

Certain parts of the SSS Floor Machine require replacement in the ordinary course of use due to normal wear by reason of their characteristics. This warranty does not cover the following normal wear items:

<u>Part Number</u>	<u>Part Name</u>
502421	Cord Assembly
509781	Wheel
503711	Handle Grips
481204	Bumper Base
962	Belt
500903	Carbon Brush, 115V Motor
510901	Carbon Brush, 230V Motor

3. EXCEPTIONS AND EXCLUSIONS FROM WARRANTY

The SSS Floor Machine is required to be used on electric current as indicated on the nameplate. Otherwise damage, defects, malfunctions or other failures of the SSS Floor Machine arising from use on electric current not as indicated are excepted and excluded from this warranty.

Defects, malfunctions, failure or damage of the SSS Floor Machine caused by improper, unreasonable or negligent use or abuse while in the possession of the consumer are likewise excluded from this warranty.

If repair is done on your SSS Floor Machine by anyone other than those below designated as authorized to perform such work without first having obtained factory instructions, the manufacturer, at its sole option, may determine that this warranty will not apply and that reimbursement for such repair will not be made because of the failure to comply with such factory specified instructions.

4. PROCEDURE TO BE TAKEN TO OBTAIN PERFORMANCE OF WARRANTY

To secure repair of the SSS Floor Machine or any warranted parts under this warranty, the following procedure should be taken: The inoperative SSS Floor Machine or warranted parts, together with satisfactory evidence of the purchase date, must be delivered with shipping and delivery charges prepaid to the Dealer from whom purchased.

If you are unable to locate the Dealer, you may write or otherwise communicate with **Triple S, 2 Executive Park Drive, Billerica, MA 01862** for instructions before repair service is performed by anyone else. In such event Triple S will provide either the location of a closely available Triple S distributor Service Department or other factory instructions.

Upon compliance with the above procedure, all warranted defects will be repaired, at no additional charge or costs to the consumer, and the repaired product returned to the consumer, with all shipping and delivery charges prepaid.

In following the procedures above set forth **PLEASE MAKE CERTAIN** to state the Triple S model, type and serial number as shown on the name plate of the SSS Floor Machine.

REPLACEMENT

In the event of the defect, malfunction or failure of your SSS Floor Machine or any warranted part to conform with this warranty, the manufacturer may at its sole option and own expense, replace the SSS Floor Machine or any warranted part with another new identical or reasonably equivalent model or part in lieu of repairing the defect.

5. NO REFUND OF PURCHASE PRICE

Triple S will not, as a matter of its warranty policy, refund the consumer's purchase price.

6. WARRANTY REGISTRATION CARD FOR YOUR SSS FLOOR MACHINE AND REQUESTS FOR INFORMATION

Please fill out the warranty registration card accompanying your SSS Floor Machine, giving complete information as requested on the card, and return to Triple S.

This warranty is in lieu of all other expressed or implied warranties.

