



XL FLOOR MACHINES

MODELS:

17 XL, 17 XL CS & 20 XL

17 DS XL & 20 DS XL

1500 XL & 2000 XL

INTRODUCTION

OPERATING & MAINTENANCE INSTRUCTIONS

READ THIS BOOK

This operator's book has important information for the use and safe operation of this machine. Read this book carefully before starting the machine. Keep this book and tell all operators to read the book. If you do not follow the instructions, you can cause an injury or damage equipment, furniture or buildings.

For additional information refer to the Triple S website www.triple-s.com or write to:

Triple S
2 Executive Park Drive
Billerica, MA 01862

Carefully inspect all components to ensure that there is no concealed freight damage. If such damage is discovered, file a "CONCEALED DAMAGE REPORT" immediately with the delivering carrier.

The contents of this manual are based on the latest product information available at the time of publication. Triple S reserves the right to make changes or improvements to its machines without notice.

FOR YOUR CONVENIENCE, RECORD THIS IMPORTANT INFORMATION:

MODEL _____

SERIAL NUMBER _____

PART NUMBER _____

DATE PURCHASED _____

TABLE OF CONTENTS

SAFETY INSTRUCTIONS	4
SINGLE SPEED MACHINES (175 rpm)	
OPERATING PROCEDURES	5
ILLUSTRATION - Models 17 XL, 17 XL CS & 20 XL	6
PARTS LIST & WIRING DIAGRAM - Models 17 XL, 17 XL CS & 20 XL	7
AC MOTOR PARTS LIST	8
DUAL SPEED MACHINES (175 & 300 rpm)	
OPERATING PROCEDURES	9
ILLUSTRATION - Models 17 DS XL & 20 DS XL	10
PARTS LIST - Models 17 DS XL & 20 DS XL	11
DC MOTOR & WIRING DIAGRAM	12
SAFETY INSTRUCTIONS	14
UHS MACHINES (1500 & 2000 rpm)	
OPERATING PROCEDURES	15
ILLUSTRATION - Models 1500 XL & 2000 XL	16
PARTS LIST - Models 1500 XL & 2000 XL	17
DC MOTOR & WIRING DIAGRAM	18
WARRANTY POLICY	20

IMPORTANT SAFETY INSTRUCTIONS

To assure the safe operation of this machine, you must read and understand all warnings and instructions in this book. If you do not understand, ask your supervisor.

READ ALL INSTRUCTIONS BEFORE USING THIS MACHINE

WARNING: To reduce the risk of fire, electric shock, or injury:

1. You must be trained to operate this machine. This machine is to be operated for its intended use only.
2. Do not operate this machine unless it is completely assembled.
3. Always use a three-wire electrical system connected to the electrical ground. For maximum protection against electrical shock, use a circuit that is protected by a ground fault circuit interrupter. Consult your electrical contractor.
4. To prevent electric shock, always remove the electrical plug from the electrical outlet before doing any repairs or maintenance and when leaving the machine unattended.
5. To prevent electric shock, keep the machine surface dry. Do not subject to rain. Store the machine in a dry building area. Clean the machine with a dry cloth only.
6. Machines can cause an explosion when near flammable materials and vapors. Do not use this machine with or near fuels, grain dust, solvents, thinners, or other flammable materials. Do not use flammables to clean this machine.
7. A qualified or authorized person must do maintenance and repairs.
8. To prevent damage to the power cord, do not move this machine over the power cord. Always lift the power cord over the machine. Do not pull or carry cord, use cord as a handle, close a door on cord, or pull cord around sharp edges or corners. Keep cord away from heated surfaces.
9. Do not use with damaged cord or plug. If the machine is not working as it should, has been dropped, damaged, left outdoors, or dropped into water, return it to a service center.

Grounding Instructions

This machine must be grounded. If it should malfunction or break down, grounding provides a path of least resistance for electric current to reduce the risk of electric shock. This machine is equipped with a cord having an equipment-grounding conductor and grounding plug. The plug must be inserted into an appropriate outlet that is properly installed and grounded in accordance with all local codes and ordinances.

WARNING - Improper connection of the equipment-grounding conductor can result in a risk of electric shock. Check with a qualified electrician or service person if you are in doubt as to whether the outlet is properly grounded. Do not modify the plug provided with the machine - if it will not fit the outlet, have a proper outlet installed by a qualified electrician.

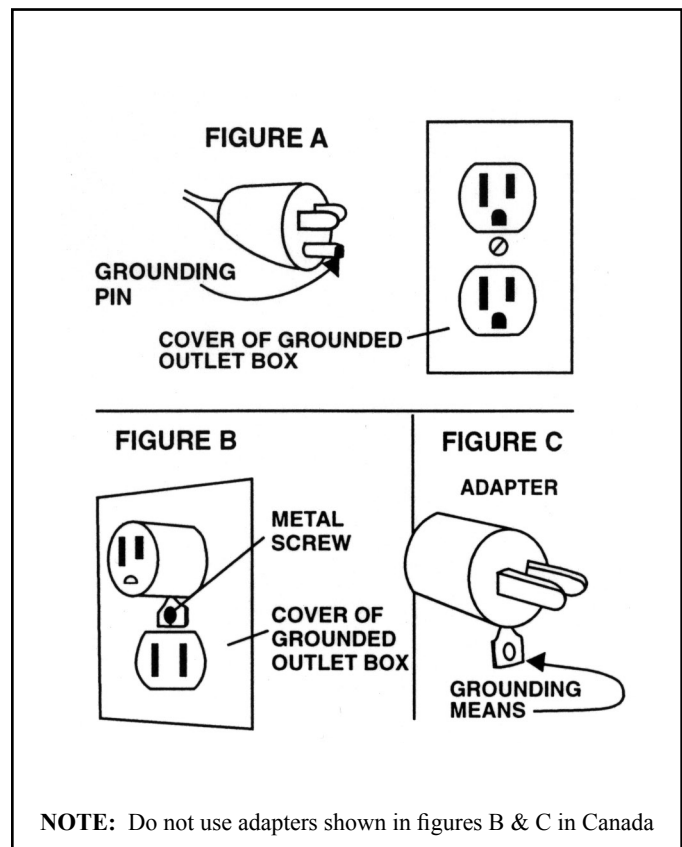
This machine is for use on a nominal 120-volt circuit, and has a grounded plug that looks like the plug illustrated in figure A. A temporary adapter that looks like the adapter illustrated in figures B and C may be used to connect this plug to a 2-pole receptacle as shown in figure B if a properly grounded outlet is not available. The temporary adapter should be used only until a properly grounded outlet (figure A) can be installed by a qualified electrician. The green colored rigid ear, lug, or the like extending from the adapter must be connected to a permanent ground such as a properly grounded outlet box cover. Whenever the adapter is used, it must be held in place by a metal screw.

NOTE: In Canada, the use of a temporary adapter is not permitted by the Canadian Electrical Code

EXTENSION CORDS

Use only three-wire 12/3 or larger gauge approved extension cords that have three-prong grounding type plugs and three-pole receptacles that accept the appliance's plug. Replace or repair any damaged cords or plugs.

When servicing, refer to authorized person only. Use only identical replacement parts.



OPERATING PROCEDURES - SINGLE SPEED

WARNING! For the safe operation of this machine follow the instructions given in this manual and the training given by your supervisor. Failure to do so can result in personal injury and/or damage to machine and property!

DO NOT OPERATE MACHINE IN AN EXPLOSIVE ENVIRONMENT!

This machine is intended for commercial use.

PREPARATION

To prepare the machine for operation, make sure it is of correct voltage and properly assembled.

Your new floor machine operates in the normal side to side motion of a conventional single disc machine. Be prepared before starting by removing all obstructions or other obstacles in the area to be cleaned. Check the proper application recommendations and procedures found on the label of your cleaning or finish container. **IF IN DOUBT, CALL YOUR SUPERVISOR .**

WARNING! NEVER USE THIS MACHINE WITH FLAMMABLE OR EXPLOSIVE MATERIAL!

For Scrubbing or Polishing: Select the correct clean SSS floor pad or brush (your Triple S Distributor can assist you). If in doubt, ask your supervisor.

NEVER OPERATE THE MACHINE WITHOUT THE FLOOR PAD OR BRUSH INSTALLED!

To properly attach the brush, **UNPLUG THE FLOOR MACHINE**, place the handle in the vertical position, then tilt the machine back until the handle rests on the floor. Straddle the handle, facing the motor, and grasp the brush with the block toward you. Place the brush or pad clutch plate over the three lugs on the motor drive adapter. Twist the brush right to lock it into position. To remove the brush, **UNPLUG THE MACHINE** and follow the same procedure as above, but by twisting the brush off with a firm jerk to the left. Remove the brush or pad driver when the machine is not in use. This will help prevent brush damage and reduce wobble problems.

OPERATION

Plug the machine's power cable into a properly grounded outlet (see Safety Instructions). Next, adjust the handle height to a comfortable position.

Pull out on the "Watch Dog" Safety Lock button and start the machine by depressing either the left or right switch levers.

Both hands should be placed on the handle when the machine is in operation. The machine will glide sideways over the floor by a slight raising and lowering of the handle. Raise the handle slightly to go to the right. Lower the handle slightly to go left. **Releasing the switch lever stops the machine at once.**

For Spray Buffing: A diluted spray of about one part water to one part solution is recommended. Heavier spray buff solutions will bog down the machine, load up the pad and adversely affect the machine's efficiency.

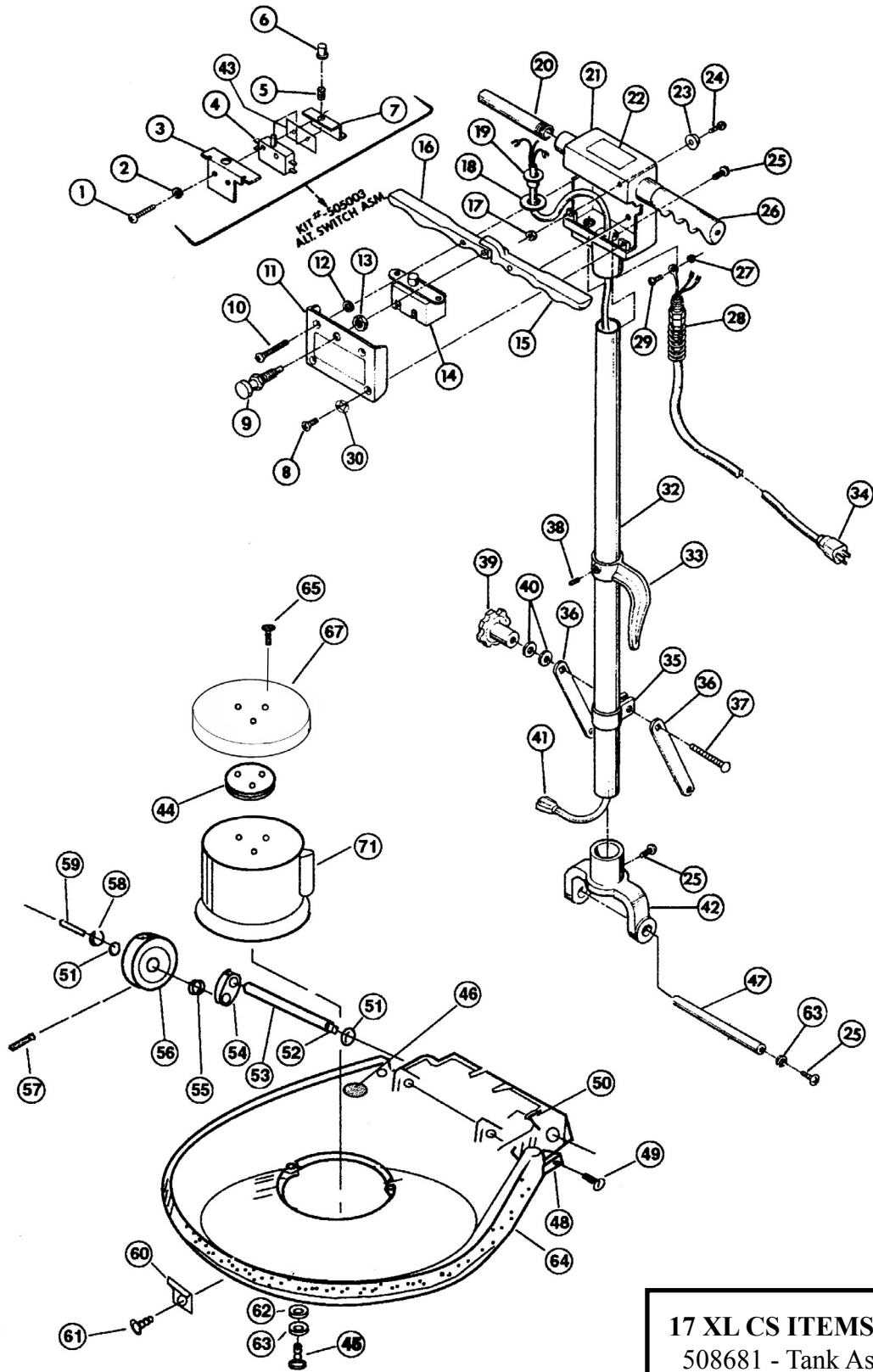
MAINTENANCE

AFTER EACH USE: Store the machine in a clean dry area. Wipe the entire machine and cord down with a clean cloth. Remove the pad or brush and clean thoroughly. Wrap the machine's electrical cord onto the handles and the cord hook provided. **CHECK** the cord and plug for nicks, cuts or damage. Report these to your supervisor for correction.

WARNING! Always disconnect the machine's electrical plug from the electrical outlet before performing any service, maintenance, pad changing or inspection of the machine.

MOTOR: The motor is lubricated for life under normal use. No oiling or greasing is necessary. However, if the machine is used in dusty areas or is used for spray buffing, the motor should be cleaned. Blowing the motor out with compressed air or with the exhaust from a vacuum is suggested. Keeping the motor clean will allow the clear passage of air for ventilation and prevent overheating. If you have any questions regarding the maintenance of your floor machine, **ASK YOUR SUPERVISOR.**

**MODELS:
17 XL, 17 XL CS & 20 XL**

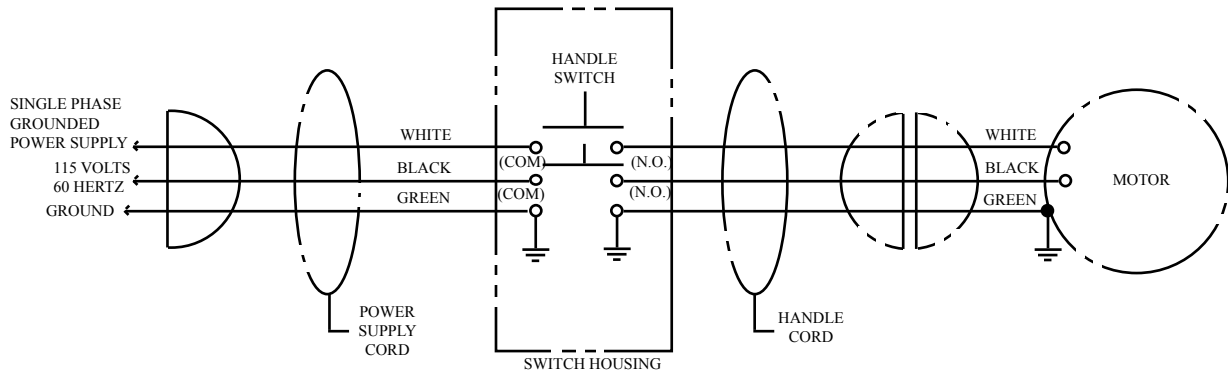


17 XL CS ITEMS NOT SHOWN:
508681 - Tank Assembly, 4 gallon
505903 - Pad Driver Assembly

MODELS: 17 XL, 17 XL CS & 20 XL

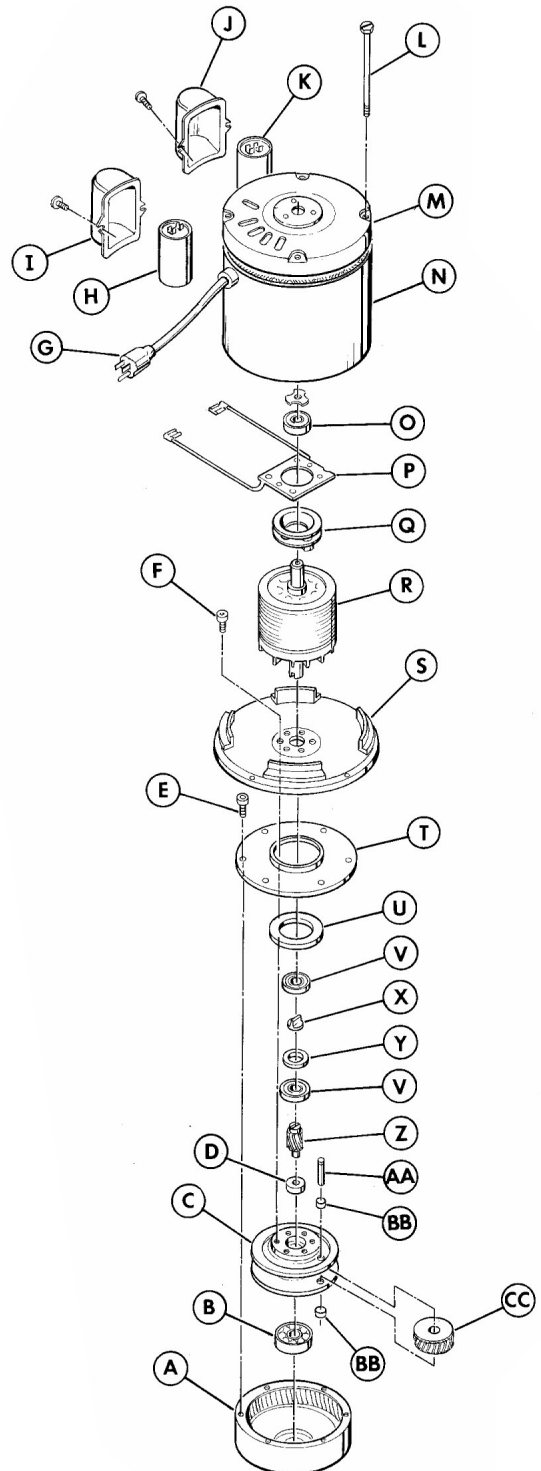
ITEM	PART NO.	DESCRIPTION	QTY.
1	W323D	Screw, 6-32x1 Pan Hd.	2
2	980016	Washer, #6 Ext. Tooth	2
3	500801	Bracket, Switch Mounting	1
4	911135	Switch	1
5	508301	Spring	1
6	507001	Plunger	1
7	500802	Bracket, Switch	1
8	962002	Screw, 10-32 x 1/2 Oval Hd.	2
9	504810	Interlock Asm.-Switch	1
10	962011	Screw, 10-32 x 3/4 Oval Hd.	2
11	486404	Switch Cover Plate	1
12	509821	Washer, Rubber	2
13	920005	Nut, 3/8-24 Hex	1
14	508020	Switch Assembly (or 505003)	1
15	505121	Lever, Switch Left	1
16	505120	Lever, Switch Right	1
17	920001	Nut, 10-32 Elastic Stop	1
18	509830	Washer, Handle Tube	1
19	503320	Flange, Strain Relief	1
20	505720	Handle Nipple	2
21	481304	Switch Housing,w/o Circuit Brkr.	1
22	515150	Warning Label	1
23	501210	Bumper, Handle	1
24	962003	Screw, 10-32 x 3/4 Pan Hd.	1
25	962006	Screw, 1/4-20 x 1/2 Pan Hd.	6
26	503730	Handle Grip	2
	501501	Cap, Protective End	2
27	980015	Washer, #10 Shakeproof	2
28	508520	Strain Relief-Complete	1
	502020	Strain Relief-Brass Clamp	1
29	962015	Screw, 10-32 x 3/8 Pan Hd.	2
30	980018	Washer, #10 Countersunk	1
32	509082	Handle Tube	1
33	504420	Cord Hook	1
34	502430	Cord Asm.-50 ft., Orange	1
35	502021	Clamp-Handle	1
36	500820	Arm, Handle Support	2

ITEM	PART NO.	DESCRIPTION	QTY.
37	962009	Bolt, Carriage 5/16-18 x 2-1/2	1
38	962005	Screw, 1/4-20 x 3/8 Allen	1
39	505010	Turn Knob	1
40	980007	Washer, 5/16 Flat	2
41	908004	Handle Cord	1
42	509920	Yoke, Handle	1
43	504702	Insulator-Switch	1
44	509823	Washer, Felt	1
45	962010	Screw, 1/4-20 x 1 HH	4
46	506820	Plug Button	1
47	507480	Shaft, Handle Pivot	1
48	508040	Bumper Strap, 17"	1
	508041	Bumper Strap, 20"	1
49	962015	Screw, Bumper Strap	2
50	501846	Base Casting-17"	1
	501848	Base Casting-20"	1
51	509820	Washer, Fiber	4
52	507722	Wheel Axle Shaft	1
53	508221	Spacer, Wheel Shaft	1
54	504421	Wheel Hinge	2
55	980005	Washer, Wave	2
56	509780	Wheel, 4" - 17"	2
	509781	Wheel, 5" - 20"	2
57	925002	Pin, Wheel Hinge	2
58	507320	Snap Ring, Wheel	2
59	507721	Shaft Wheel, 2-5/16	1
	507723	Shaft Wheel, 3-3/8	1
60	502110	Bumper Clip	3
61	962001	Screw, Bumper Clip	3
62	980004	Washer, 1/4 Flat	4
63	980002	Washer, 1/4 Lock	6
64	501241	Base Bumper, 17"	1
	501283	Base Bumper, 20"	1
65	962019	Screw, Cap	3
67	502373	Drip Cover	1
71	505249	Motor (see next page)	1
	503523	Gear Unit (see next page)	1



MODELS: 17 XL, 20 XL CS & 20 XL AC MOTOR PARTS LIST

ITEM	PART NO.	DESCRIPTION	QTY.
	505251	Motor & Gear Asm., 1.5HP 115V 60CY	1
	505249	Motor Only, 1.5 HP	
	503523	Gear Asm.Only -10:1 for 1.5 HP-3 Planet	
A	504209	Ring Gear Housing	1
B	902007	Bearing	1
C	504208	Planet Gear Hsing,10:1-3 Idler	1
D	902005	Bearing	1
E		Screw	6
F		Screw	6
G		Motor Cord	1
H	911305	Run Capacitor	1
I		Cover, Run Capacitor	1
J		Cover, Start Capacitor	1
K	911304	Start Capacitor	1
L		Bolt	4
M		End Bell	1
N		Stator Asm (No Capacitors), Chrome	1
O	902003	Bearing, Motor Top	1
P	911306	Stationary Switch	1
Q	911307	Rotary Switch (For 60 Cycle)	1
R		Rotor Assembly (No Bearings or Switch)	1
S	502927	End Bell-Motor Lower	1
T	502317	Cover, Ring Gear	1
U	902015	Bearing	1
V	902005	Bearing	2
X	502460	Coupling Flexible	1
Y	508211	Spacer	1
Z	503510	Pinion	1
AA	507701	Shaft-Planet Gear	2/3
BB	902016	Bearing-Planet Shaft	4/6
CC	503511	Gear-Planet	2/3



OPERATING PROCEDURES - DUAL SPEED

WARNING! For the safe operation of this machine follow the instructions given in this manual and the training given by your supervisor. Failure to do so can result in personal injury and/or damage to machine and property!

DO NOT OPERATE MACHINE IN AN EXPLOSIVE ENVIRONMENT!

This machine is intended for commercial use.

PREPARATION

To prepare the machine for operation, make sure it is of correct voltage and properly assembled.

Your new floor machine operates in the normal side to side motion of a conventional single disc machine. Be prepared before starting by removing all obstructions or other obstacles in the area to be cleaned. Check the proper application recommendations and procedures found on the label of your cleaning or finish container. **IF IN DOUBT, CALL YOUR SUPERVISOR .**

WARNING! NEVER USE THIS MACHINE WITH FLAMMABLE OR EXPLOSIVE MATERIAL!

For Scrubbing or Polishing: Select the correct clean SSS floor pad or brush (your Triple S Distributor can assist you). If in doubt, ask your supervisor.

NEVER OPERATE THE MACHINE WITHOUT THE FLOOR PAD OR BRUSH INSTALLED!

To properly attach the brush, **UNPLUG THE FLOOR MACHINE**, place the handle in the vertical position, then tilt the machine back until the handle rests on the floor. Straddle the handle, facing the motor, and grasp the brush with the block toward you. Place the brush or pad clutch plate over the three lugs on the motor drive adapter. Twist the brush right to lock it into position. To remove the brush, **UNPLUG THE MACHINE** and follow the same procedure as above, but by twisting the brush off with a firm jerk to the left. Remove the brush or pad driver when the machine is not in use. This will help prevent brush damage and reduce wobble problems.

DUAL SPEED CONTROL: A rocker switch is located on the motor drip cover. Press the switch in on the side labeled **LOW** for 175 RPM pad speed or to **HIGH** for 300 RPM pad speed.

OPERATION

Plug the machine's power cable into a properly grounded outlet (see Safety Instructions). Next, adjust the handle height to a comfortable position.

Pull out on the "Watch Dog" Safety Lock button and start the machine by depressing either the left or right switch levers.

Both hands should be placed on the handle when the machine is in operation. The machine will glide sideways over the floor by a slight raising and lowering of the handle. Raise the handle slightly to go to the right. Lower the handle slightly to go left. **Releasing the switch lever stops the machine.**

For Spray Buffing: A diluted spray material of about one part water to one part solution is recommended. Heavier spray buff solutions will bog down the machine, load up the pad and adversely affect the machine's efficiency.

MAINTENANCE

AFTER EACH USE: Store the machine in a clean dry area. Wipe the entire machine and cord down with a clean cloth. Remove the pad or brush and clean thoroughly. Wrap the machine's electrical cord onto the handles and the cord hook provided. **CHECK** the cord and plug for nicks, cuts or damage. Report these to your supervisor for correction.

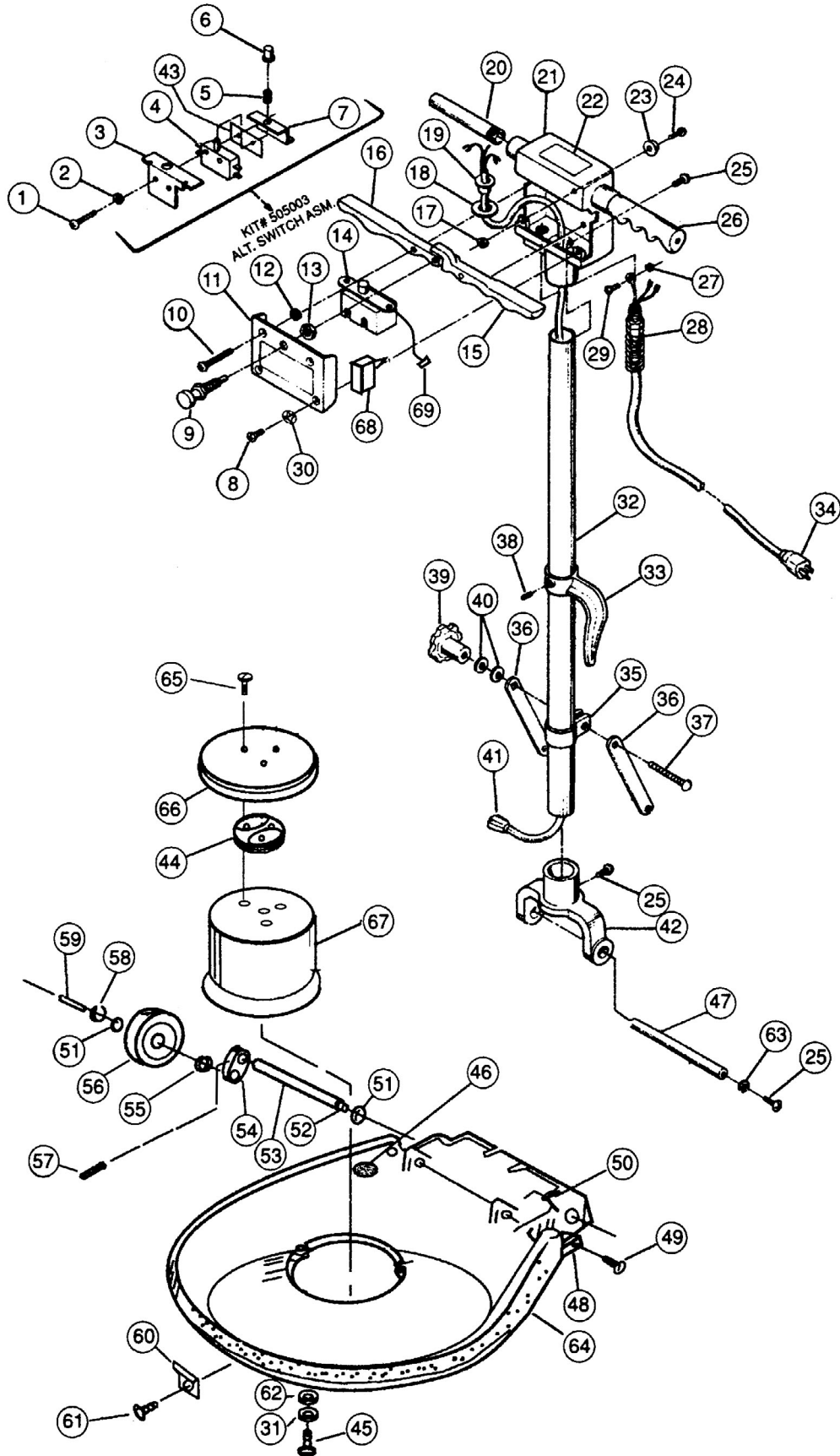
WARNING! Always disconnect the machine's electrical plug from the electrical outlet before performing any service, maintenance, pad changing or inspection of the machine.

CIRCUIT BREAKER: A circuit breaker is used to protect the motor. If the motor draws high amperage the circuit breaker will stop the motor. The reset button is located in the back of the switch housing. Push the reset button to restart the motor. If the motor continues to stop, clean or change the floor pad. If this does not correct the problem consult an authorized service person.

MOTOR: The motor is lubricated for life under normal use. No oiling or greasing is necessary. However, if the machine is used in dusty areas or is used for spray buffing, the motor should be cleaned. Blowing the motor out with compressed air or with the exhaust from a vacuum is suggested. Keeping the motor clean will allow the clear passage of air for ventilation and prevent overheating. If you have any questions regarding the maintenance of your floor machine, **ASK YOUR SUPERVISOR.**

CARBON BRUSH INSPECTION: Long life 3000-hour carbon brushes are installed in the motor. The machine is also equipped with a carbon brush wear indicator to signal when a carbon brush change is required.

MODELS 17 DS XL & 20 DS XL



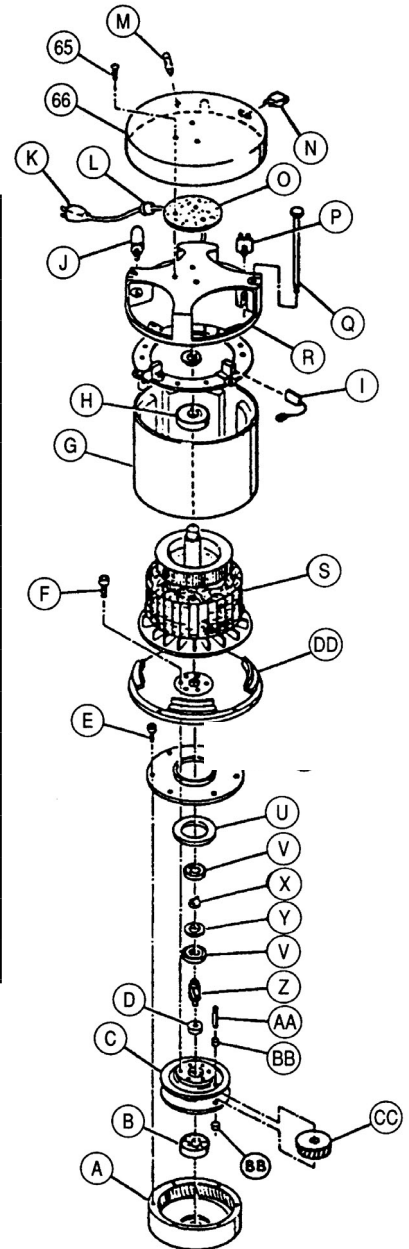
MODELS 17 DS XL & 20 DS XL

ITEM	PART NO.	DESCRIPTION	QTY.
1	W323D	Screw, 6-32x1 Pan Hd.	2
2	980016	Washer, #6 Ext. Tooth	2
3	500801	Bracket, Switch Mounting	1
4	911135	Switch	1
5	508301	Spring	1
6	507001	Plunger	1
7	500802	Bracket, Switch	1
8	962002	Screw, 10-32 x 1/2 Oval Hd.	2
9	504810	Interlock Asm.-Switch	1
10	962011	Screw, 10-32 x 3/4 Oval Hd.	2
11	486404	Switch Cover Plate	1
12	509821	Washer, Rubber	2
13	920005	Nut, 3/8-24 Hex	1
14	508020	Switch Assembly (or 505003)	1
15	505121	Lever, Switch Left	1
16	505120	Lever, Switch Right	1
17	920001	Nut, 10-32 Elastic Stop	1
18	509830	Washer, Handle Tube	1
19	503320	Flange, Strain Relief	1
20	505720	Handle Nipple	2
21	501335	Switch Housing with Circuit Brkr.	1
22	515150	Warning Label	1
23	501210	Bumper, Handle	1
24	962003	Screw, 10-32 x 3/4 Pan Hd.	1
25	962006	Screw, 1/4-20 x 1/2 Pan Hd.	6
26	503730	Handle Grip	2
	501501	Cap, Protective End	2
27	980015	Washer, #10 Shakeproof	2
28	508520	Strain Relief-Complete	1
	502020	Strain Relief-Brass Clamp	1
29	962015	Screw, 10-32 x 3/8 Pan Hd.	2
30	980018	Washer, #10 Countersunk	1
31	980006	Washer, 5/16 Lock	4
32	509082	Handle Tube	1
33	504420	Cord Hook	1
34	502430	Cord Asm.-50 ft.	1
35	502021	Clamp-Handle	1
36	500820	Arm, Handle Support	2
37	962009	Bolt, Carriage 5/16-18 x 2-1/2	1

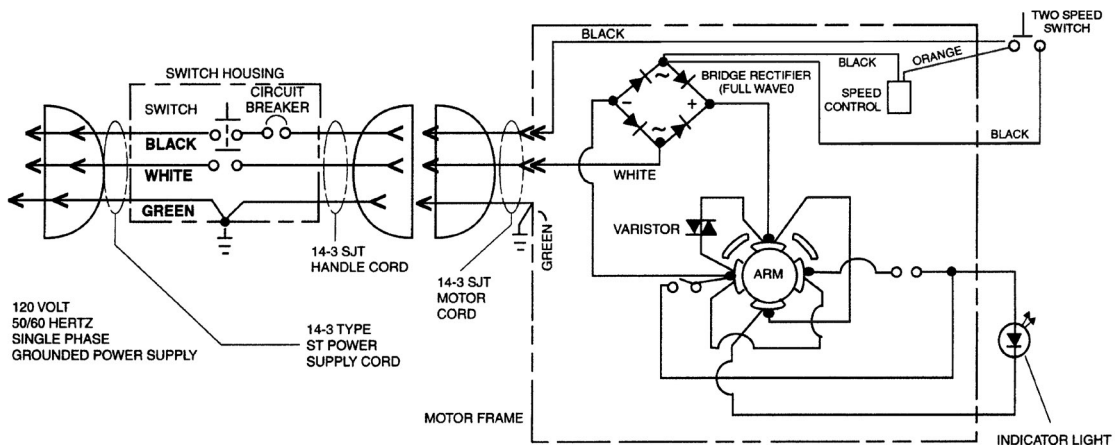
ITEM	PART NO.	DESCRIPTION	QTY.
38	962005	Screw, 1/4-20 x 3/8 Allen	1
39	505010	Turn Knob	1
40	980007	Washer, 5/16 Flat	2
41	908001	Handle Cord	1
42	509920	Yoke, Handle	1
43	504702	Insulator-Switch	1
44	509823	Washer, Felt	1
45	962021	Screw, 1/4-20 x 1 HH	4
46	506820	Plug Button	1
47	507480	Shaft, Handle Pivot	1
48	508040	Bumper Strap, 17"	1
	508041	Bumper Strap, 19"	1
49	962015	Screw, Bumper Strap	2
50	501846	Base Casting-17"	1
	501848	Base Casting-19"	1
51	509820	Washer, Fiber	4
52	507722	Wheel Axle Shaft	1
53	508221	Spacer, Wheel Shaft	1
54	504421	Wheel Hinge	2
55	980005	Washer, Wave	2
56	509780	Wheel, 4" - 17"	2
	509781	Wheel, 5" - 19"	2
57	925002	Pin, Wheel Hinge	2
58	507320	Snap Ring, Wheel	2
59	507721	Shaft Wheel, 2-5/16	1
	507723	Shaft Wheel, 3-3/8	1
60	502110	Bumper Clip	3
61	962001	Screw, Bumper Clip	3
62	980004	Washer, 1/4 Flat	4
63	980002	Washer, 1/4 Lock	2
64	501241	Base Bumper, 17"	1
	501283	Base Bumper, 19"	1
65	962026	Screw, Drip Cover	3
66	502396	Drip Cover	1
67	505265	Motor & Gear, 115V, 1.5 HP	1
	505266	Motor & Gear, 230V, 1.5 HP	1
		See Next Page	
68	501350	Circuit Breaker, 18 A	1
69	911001	Lead Asm., Switch to Breaker	1

MODELS 17 DS XL & 20 DS XL DC MOTOR PARTS LIST

ITEM	PART NO.	DESCRIPTION	QTY.	ITEM	PART NO.	DESCRIPTION	QTY.
	505265	Motor&Gear,115V,1.5 HP	1	N	911115	Switch - High/Low	1
	505266	Motor&Gear,230V,1.5 HP	1	O	509323	Washer, Felt	1
A	504209	Ring Gear Housing	1	P	911048	Rectifier, 115V	1
B	902004	Bearing	1		911081	Rectifier, 230V	1
C	504208	Planet Gear Hsing,10:1-3	1	Q	960018	Bolt, Motor Thru	2
D	902005	Bearing	1	R	502928	End Bell - Motor TOP	1
E	960016	Screw	6	S	500425	Armature, 115V	1
F	960017	Screw	6		500423	Armature, 230V	1
G	503117	Field & Shell Assembly	1	T	502317	Cover Housing	1
H	902001	Bearing	1	U	902015	Bearing	1
I	500903	Carbon Brush, 115V	4	V	902005	Bearing	2
	510901	Carbon Brush, 230V	4	X	502465	Coupling	1
J	911127	Speed Control, 115V	1	Y	508211	Spacer Sleeve	1
	911141	Speed Control, 230V	1	Z	503510	Pinion	1
K	908024	Cord Assembly, Motor	1	AA	507701	Shaft - Planet Gear	3
L	508519	Strain Relief	1	BB	902016	Bearing - Planet Shaft	3
M	505181	Light, Brush Wear, 115V	1	CC	503511	Gear - Planet	3
	505182	Light, Brush Wear, 230V	1	DD	502929	End Bell - Motor LOWER	1



MODELS 17 DS XL & 20 DS XL WIRING DIAGRAM



NOTES

IMPORTANT SAFETY INSTRUCTIONS

To assure the safe operation of this machine, you must read and understand all warnings and instructions in this book. If you do not understand, ask your supervisor.

READ ALL INSTRUCTIONS BEFORE USING THIS MACHINE

WARNING: To reduce the risk of fire, electric shock, or injury:

1. You must be trained to operate this machine. This machine is to be operated for its intended use only.
2. Do not operate this machine unless it is completely assembled.
3. Always use a three-wire electrical system connected to the electrical ground. For maximum protection against electrical shock, use a circuit that is protected by a ground fault circuit interrupter. Consult your electrical contractor.
4. To prevent electric shock, always remove the electrical plug from the electrical outlet before doing any repairs or maintenance and when leaving the machine unattended.
5. To prevent electric shock, keep the machine surface dry. Do not subject to rain. Store the machine in a dry building area. Clean the machine with a dry cloth only.
6. Machines can cause an explosion when near flammable materials and vapors. Do not use this machine with or near fuels, grain dust, solvents, thinners, or other flammable materials. Do not use flammables to clean this machine.
7. A qualified or authorized person must do maintenance and repairs.
8. To prevent damage to the power cord, do not move this machine over the power cord. Always lift the power cord over the machine. Do not pull or carry cord, use cord as a handle, close a door on cord, or pull cord around sharp edges or corners. Keep cord away from heated surfaces.
9. Do not use with damaged cord or plug. If the machine is not working as it should, has been dropped, damaged, left outdoors, or dropped into water, return it to a service center.

Grounding Instructions

This machine must be grounded. If it should malfunction or break down, grounding provides a path of least resistance for electric current to reduce the risk of electric shock. This machine is equipped with a cord having an equipment-grounding conductor and grounding plug. The plug must be inserted into an appropriate outlet that is properly installed and grounded in accordance with all local codes and ordinances.

WARNING - Improper connection of the equipment-grounding conductor can result in a risk of electric shock. Check with a qualified electrician or service person if you are in doubt as to whether the outlet is properly grounded. Do not modify the plug provided with the machine - if it will not fit the outlet, have a proper outlet installed by a qualified electrician.

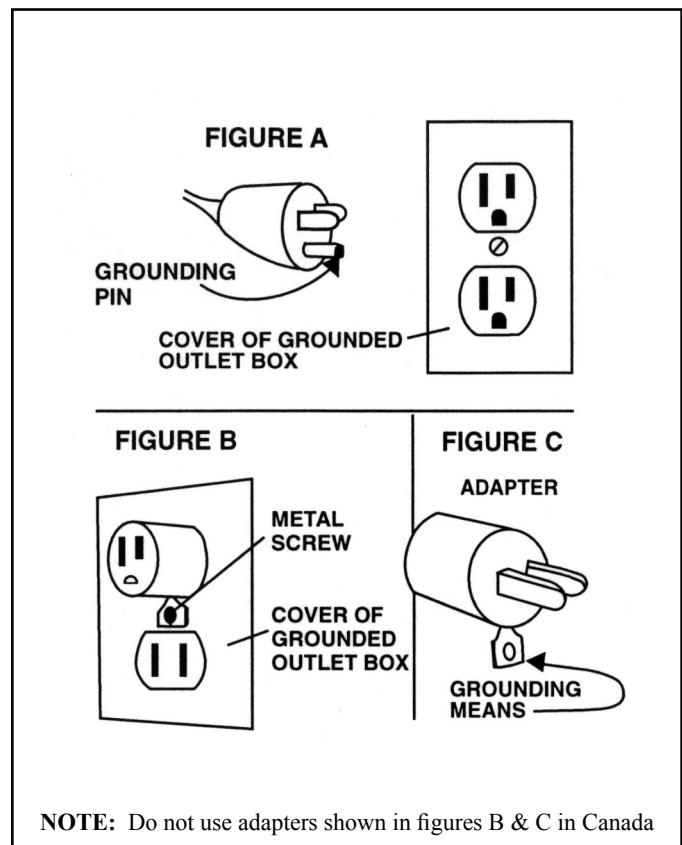
This machine is for use on a nominal 120-volt circuit, and has a grounded plug that looks like the plug illustrated in figure A. A temporary adapter that looks like the adapter illustrated in figures B and C may be used to connect this plug to a 2-pole receptacle as shown in figure B if a properly grounded outlet is not available. The temporary adapter should be used only until a properly grounded outlet (figure A) can be installed by a qualified electrician. The green colored rigid ear, lug, or the like extending from the adapter must be connected to a permanent ground such as a properly grounded outlet box cover. Whenever the adapter is used, it must be held in place by a metal screw.

NOTE: In Canada, the use of a temporary adapter is not permitted by the Canadian Electrical Code

EXTENSION CORDS

Use only three-wire 12/3 or larger gauge approved extension cords that have three-prong grounding type plugs and three-pole receptacles that accept the appliance's plug. Replace or repair any damaged cords or plugs.

When servicing, refer to authorized person only. Use only identical replacement parts.



OPERATING PROCEDURES - UHS BURNISHERS

WARNING! For the safe operation of this machine follow the instructions given in this booklet and the training given by your supervisor. Failure to do so can result in personal injury and/or damage to machine and property!

DO NOT OPERATE MACHINE IN AN EXPLOSIVE ENVIRONMENT!

THIS MACHINE IS INTENDED FOR COMMERCIAL USE!

PREPARATION

To prepare the machine for operation, make sure it is of correct voltage and properly assembled.

Your new floor machine operates in a straight-line forward motion, rather than the normal side to side motion of a conventional single disc machine. Be prepared by having your floor area cleared and ready for the fast action of a burnisher.

Prepare the floor area by sweeping, dusting or mopping as needed. Check the proper application recommendations and procedures found on the label of your finish container. **IF IN DOUBT, CALL YOUR SUPERVISOR.**

WARNING! NEVER USE THIS MACHINE WITH FLAMMABLE OR EXPLOSIVE MATERIAL!

For Burnishing: Select the correct clean SSS Floor Pad (your Triple S Distributor can assist you). The lighter color floor pads (buff or white) are normally used for the burnishing procedure.

NEVER OPERATE THE MACHINE WITHOUT THE FLOOR PAD INSTALLED!

It is very important to select clean, dry pads of uniform thickness. Pads with high or low sections, or hard or soft spots are unacceptable. Pads of open weave are recommended; because close weaves tend to load up fast, bog down the machines, cause circuits to overload and generally give poor results.

Unplug the power cord from the wall outlet. Tip the machine back to expose the pad driver. Remove the pad center lock ring. Carefully center the pad onto the pad driver and secure with the locking ring. Check for level, centering and flatness.

OPERATION

Set the machine upright onto the pad. Plug the machine's power cable into a properly grounded outlet (see Safety Instructions). Next, release the handle locking knob and allow the handle to lower into a comfortable position. **Then secure the handle locking knob.** This will allow the operator to easily control the brush pressure.

Depress the handle slightly to elevate the pad from the floor. This is to avoid burning the floor on initial start up, before the operator is ready to move forward. Pull out on the "Watch Dog" Safety Lock button and start the machine by depressing either the left or right switch levers.

When you're ready to move forward, lower the machine head and pad to the floor and proceed forward in a straight line, at a steady pace. If the machine labors or slows down excessively, relieve the condition by:

1500 XL - Pressing down on the handle.

2000 XL - Adjusting the caster wheel downward by turning the adjusting knob clockwise.

NOTE: The compensator caster is included only on the 2000 XL. Just turn the adjusting knob to set the pad pressure and maintain a constant level. This adjustment may also be made to regulate for light or heavy burnishing needs.

MAINTENANCE

AFTER EACH USE: Store the machine in a clean dry area. Wipe the entire machine and cord down with a clean cloth. Remove the pad and clean thoroughly. Wrap the machine's electrical cord onto the handles and the cord hook provided. **CHECK** the cord and plug for nicks, cuts or damage. Report these to your supervisor for correction. Store the machine so that its weight is resting upon the transport and operating wheels to avoid pad driver distortion.

WARNING! Always disconnect the machine's electrical plug from the electrical outlet before performing any service, maintenance, pad changing or inspection of the machine.

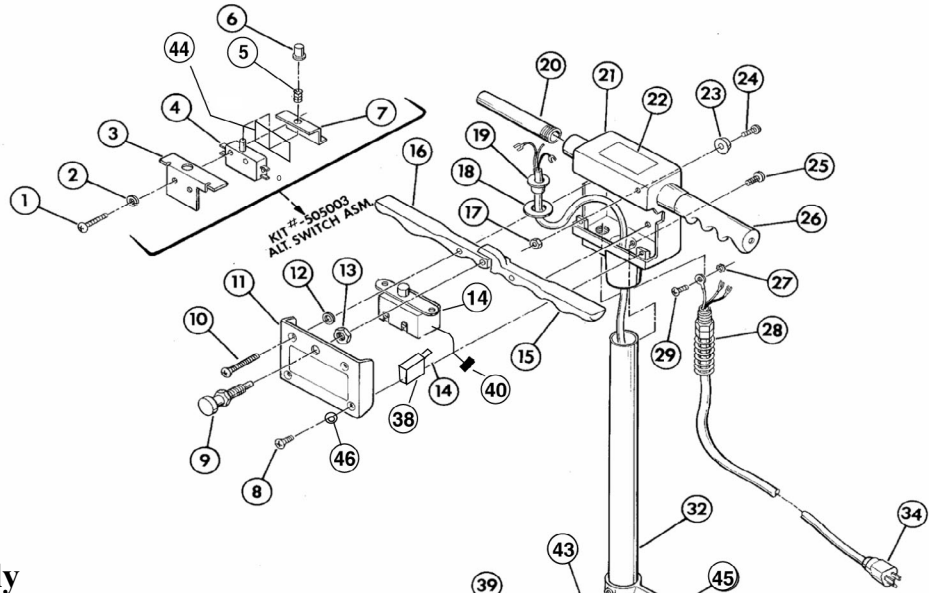
CIRCUIT BREAKER: A circuit breaker is used to protect the motor. If the motor draws high amperage the circuit breaker will stop the motor. The reset button is located in the back of the switch housing. Push the reset button to restart the motor. If the motor continues to stop, clean or change the floor pad. If this does not correct the problem consult an authorized service person.

LUBRICATION: No motor lubrication is required. The machine has a grease fitting on the upper and lower pad driver bearings, lubricate them annually. A drop of machine oil on the wheel axle shafts and the handle adjusting bolt periodically will suffice.

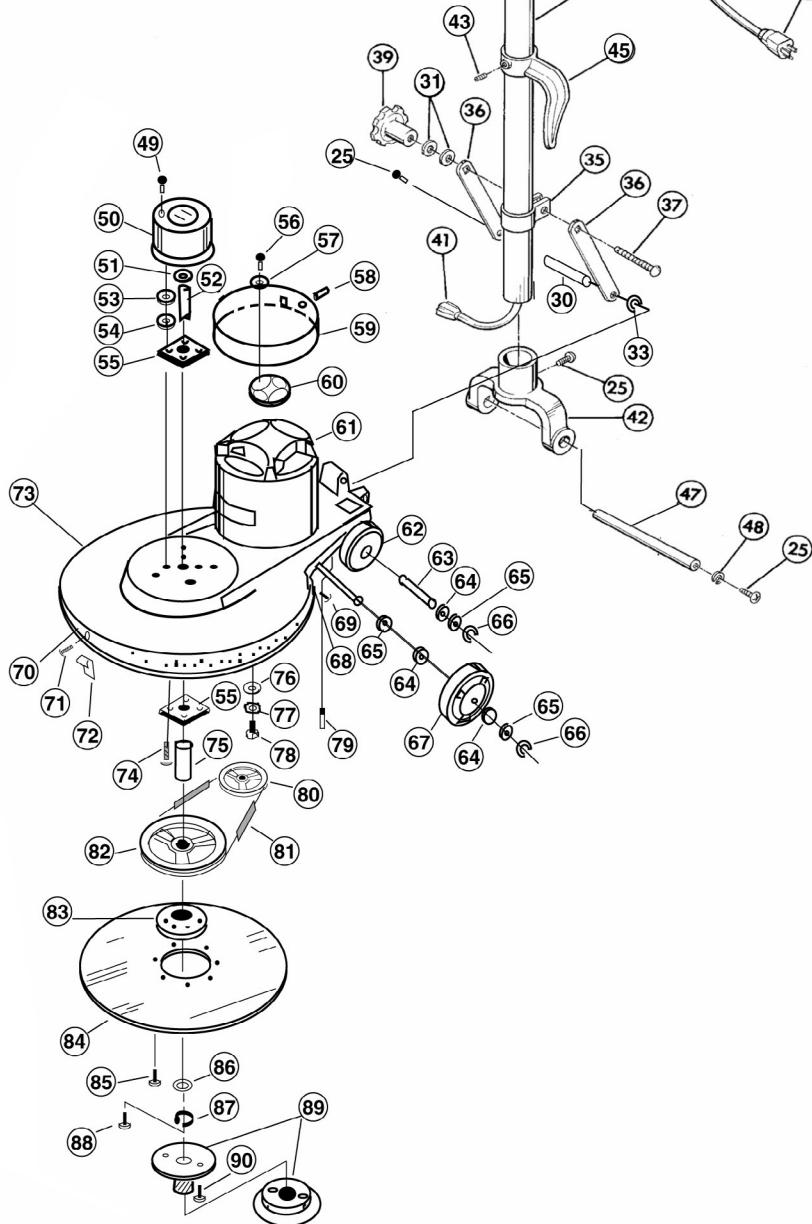
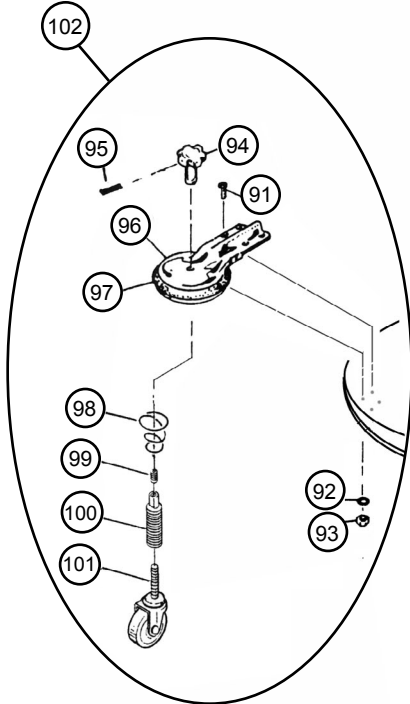
BELT TENSION: Proper belt tension is important for smooth operation and belt life. Check the belt tension and have no more than a 1/8-inch deflection. If adjustment is needed, loosen the four (4) motor mounting bolts. Then tip the machine back onto its transport wheels, slide the motor back and tighten the bolts.

CARBON BRUSH INSPECTION: Long life 3000-hour carbon brushes are installed in the motor. The machine is also equipped with a carbon brush wear indicator light to signal when a carbon brush change is required.

MODELS 1500 XL & 2000 XL



2000 XL Model Only

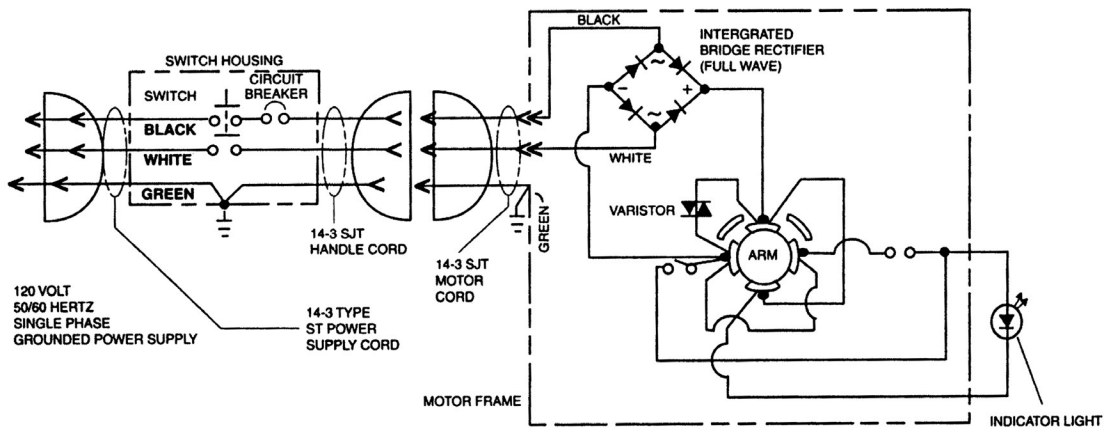
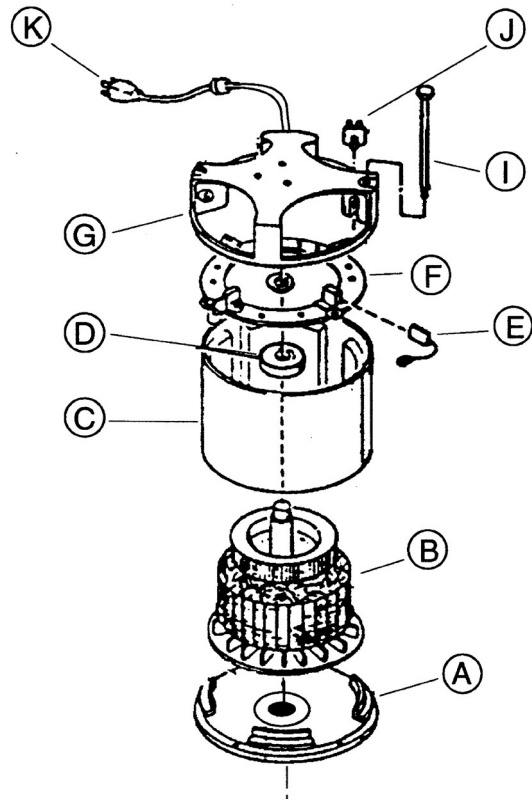


ITEM	PART NO.	DESCRIPTION	QTY.
1	W323D	Screw, 6-32x1 Pan Hd.	2
2	980016	Washer, #6 Ext. Tooth	2
3	500801	Bracket, Switch Mounting	1
4	911135	Switch	1
5	508301	Spring	1
6	507001	Plunger	1
7	500802	Bracket, Switch	1
8	962002	Screw, 10-32 x 1/2 Oval Hd.	2
9	504810	Interlock Asm.-Switch	1
10	962011	Screw, 10-32 x 3/4 Oval Hd.	2
11	506430	Switch Cover Plate	1
12	509821	Washer, Rubber	2
13	920005	Nut, 3/8-24 Hex	1
14	508020	Switch Assembly (or 505003)	1
15	505121	Lever, Switch Left	1
16	505120	Lever, Switch Right	1
17	920001	Nut, 10-32 Elastic Stop	1
18	509830	Washer, Handle Tube	1
19	503320	Flange, Strain Relief	1
20	505720	Handle Nipple	2
21	501326	Switch Housing w/Brkr.	1
22	515150	Warning Label	1
23	501210	Bumper, Handle	1
24	962003	Screw, 10-32 x 3/4 Pan Hd.	1
25	962006	Screw, 1/4-20 x 1/2 Pan Hd.	7
26	503730	Handle Grip	2
	501501	Cap, Protective End	2
27	980015	Washer, #10 Shakeproof	2
28	508520	Strain Relief-Complete	1
	502020	Strain Relief-Brass Clamp	1
29	962015	Screw, 10-32 x 3/8 Pan Hd.	2
30	507481	Rod, Brace	1
31	980007	Washer, 5/16 Flat	2
32	509082	Handle Tube	1
33	507310	Snap Ring	1
34	502430	Cord Asm., 50 ft.	1
35	502021	Clamp-Handle	1
36	500880	Arm, Handle Support	2
37	962009	Bolt, Carriage 5/16-18 x 2-1/2	1
38	501350	Circuit Breaker, 18A	1
39	505010	Turn Knob	1
40	911001	Lead Asm-Switch to Breaker	1
41	908001	Handle Cord	1
42	509920	Yoke, Handle	1
43	962005	Screw, 1/4-20 x 3/8 Allen	1
44	504702	Insulator, Switch	1
45	504420	Cord Hook	1
46	980018	Washer, #10 Countersunk	1
47	507480	Shaft, Handle Yoke	1
48	980002	Washer, 1/4 Lock	2
49	962015	Screw, 10-32x3/8 Pan Hd.	3
50	502382	Cover-Bearing	1
51	502481	Collar, Upper Shaft	1
52	507780	Drive Shaft	1
53	920002	Nut, 3/8-16 Hex	4

ITEM	PART NO.	DESCRIPTION	QTY.
54	980009	Washer, 3/8 Lock	4
55	501380	Block, Bearing	2
56	962026	Screw, 8-32 x 1/2	3
57	980013	Washer	1
58	505181	Light,Brush Wear Indicator,115V	1
	505182	Light,Brush Wear Indicator,230V	1
59	502396	Cover, Motor-1500XL	1
60	509823	Washer, Felt 3/16 x 3	1
61	505286	Motor, 1.5 HP 115V	1
62	509780	Wheel, 4"	2
63	507781	Wheel Axle	2
64	980005	Washer, Wave	8
65	509820	Washer, Fiber	8
66	507320	Snap Ring 1/2 Shaft	4
67	509781	Wheel, 5"	2
68	508080	Bumper Strap	1
69	962015	Screw, Bumper Strap	5
70	501283	Bumper, Base	1
71	962001	Screw, 10-32x1/4 Flt. Hd.	3
72	502110	Bumper Clip	3
73	501891	Base Casting	1
74	962018	Screw, 3/8-16 x 1-3/4 Hex	4
75	915001	Key - 1500 XL	1
	915002	Key - 2000 XL	1
	915003	Key - 2000 XL	1
76	980003	Washer, 3/8 Flat	4
77	980009	Washer, 3/8 Lock	4
78	962022	Screw, 3/8-16 x 1 Hex	4
79	962016	Set Screw, 10-32 x 3/8 Allen	1
80	506980	Pulley, Motor	1
81	903001	Belt-1500XL	1
	903005	Belt-2000XL	1
82	506994	Pulley, Pad Driver-1500 XL	1
	506992	Pulley, Pad Driver-2000 XL	1
83	503382	Flange, Flex Pad Driver	1
84	515904	Pad Asm. Flex Drive	1
85	962036	Screw, 1/4-20 x 1 Flt.	6
86	980007	Washer, 5/16 Flat	1
87	980006	Washer, 5/16 Lock	1
88	962014	Bolt, 5/16-18 x 3/4 Allen	1
89	504471	Pad Holder	1
90	962076	Screw #8 x 5/8 Pan Hd.	3
Caster Assembly for 2000 XL Models			
91	962010	Screw, 1/4-20 x 1 HH	4
92	980002	Washer, 1/4 Lock	4
93	920004	Nut, 1/4-20 Hex	4
94	515002	Knob	1
95	962034	Screw, 8-32 x 1/4 Allen	1
96	504483	Housing, Caster	1
97	501285	Bumper, Housing	1
98	518003	Spring	1
99	962061	Screw, 1/4-20 x 3/4	1
100	518401	Stud, Caster	1
101	509785	Caster	1
102	504480	Caster Assembly	1

MODELS 1500 XL & 2000 XL DC MOTOR PARTS LIST & WIRING DIAGRAM

ITEM	PART NO.	DESCRIPTION	QTY.
	505286	Motor 115V, 1.5HP	1
A	502919	End Bell - Motor LOWER	1
B	500417	Armature Asm.w/Bearings,115V	1
	902012	Bearing, Motor Lower	1
C	503117	Field & Shell Assembly	1
D	902003	Bearing, Motor Top	1
E	500903	Carbon Brush, Motor 115V	4
F	507322	Brush Ring Asm. Complete	1
G	502920	End Bell - Motor TOP	1
I	960018	Bolt, Motor Thru	4
J	911048	Rectifier, 115V 50/60C	1
K	908024	Cord Assembly, Motor	1



SSS XL FLOOR MACHINE LIMITED WARRANTY

The SSS XL Floor Machine has been manufactured, tested and inspected in accordance with specific engineering requirements, and is WARRANTED by the manufacturer to be free from defects in workmanship and materials.

This warranty is, however, subject to the following qualifications, conditions and limitations which are set forth to provide you and all users of the SSS XL Floor Machine with information concerning the duration, extent, availability and applicability of this Limited Warranty, the procedure to be taken to obtain its performance and other information concerning the manufacturer's warranty policy.

1. TO WHOM EXTENDED AND DURATION OF ITEMS COVERED

This warranty extends to the original consumer purchaser from the date it was purchased and for the items and periods as follows:

Ten (10) years parts, One (1) year labor - Aluminum Base Casting
Five (5) years parts, One (1) year labor - AC Motor and Gear Unit (except motor switches, capacitors and flex couplings which have a one (1) year warranty.
Three (3) years parts, One (1) year labor - DC Motors (except carbon brushes, rectifiers and varistors which have a one (1) year warranty).
One (1) year parts and labor - All other components except wear items excluded below.

2. PARTS NOT COVERED BY WARRANTY

Certain parts of the SSS XL Floor Machine require replacement in the ordinary course of use due to normal wear by reason of their characteristics. This warranty does not cover the following normal wear items:

SSS-17 XL, 17 XL CS, 20XL, 17 DS XL & 20 DS XL MODELS:

<u>Part Number</u>	<u>Part Name</u>
503730	Grip, Handle
502430	Power Cord Assembly, 14/3x50'
509780	Wheel, 4"
509781	Wheel, 5"
501241	Bumper, 17"
501283	Bumper, 20"

SSS-1500 XL & 2000 XL:

503730	Grip, Handle
502430	Power Cord Assembly, 14/3x50'
509780	Wheel, 4"
509781	Wheel, 5"
501283	Bumper, Base
903001	Belt, 1500 XL
903005	Belt, 2000 XL
500903	Carbon Brush Motor
501285	Bumper, Caster Housing - 2000 XL
509785	Caster - 2000 XL

3. EXCEPTIONS AND EXCLUSIONS FROM WARRANTY

The SSS XL Floor Machine is required to be used on electric current as indicated on the nameplate. Otherwise damage, defects, malfunctions or other failures of the SSS XL Floor Machine arising from use on electric current not as indicated are excepted and excluded from this warranty.

Defects, malfunctions, failure or damage of the SSS XL Floor Machine caused by improper, unreasonable or negligent use or abuse while in the possession of the consumer are likewise excluded from this warranty.

If repair is done on your SSS XL Floor Machine by anyone other than those below designated as authorized to perform such work without first having obtained factory instructions, the manufacturer, at its sole option, may determine that this warranty will not apply and that reimbursement for such repair will not be made because of the failure to comply with such factory specified instructions.

4. PROCEDURE TO BE TAKEN TO OBTAIN PERFORMANCE OF WARRANTY

To secure repair of the SSS XL Floor Machine or any warranted parts under this warranty, the following procedure should be taken: The inoperative SSS XL Floor Machine or warranted parts, together with satisfactory evidence of the purchase date, must be delivered with shipping and delivery charges prepaid to the Dealer from whom purchased.

If you are unable to locate the Dealer, you may write or otherwise communicate with **Triple S, 2 Executive Park Drive, Billerica, MA 01862** for instructions before repair service is performed by anyone else. In such event Triple S will provide either the location of a closely available Triple S Distributor Service Department or other factory instructions.

Upon compliance with the above procedure, all warranted defects will be repaired, at no additional charge or costs to the consumer, and the repaired product returned to the consumer, with all shipping and delivery charges prepaid.

In following the procedures above set forth PLEASE MAKE CERTAIN to state the Triple S model, type and serial number as shown on the name plate of the SSS XL Floor Machine.

REPLACEMENT

In the event of the defect, malfunction or failure of your SSS XL Floor Machine or any warranted part to conform with this warranty, the manufacturer may at its sole option and own expense, replace the SSS XL Floor Machine or any warranted part with another new identical or reasonably equivalent model or part in lieu of repairing the defect.

5. NO REFUND OF PURCHASE PRICE

Triple S will not, as a matter of its warranty policy, refund the consumer's purchase price.

6. WARRANTY REGISTRATION CARD FOR YOUR SSS XL FLOOR MACHINE AND REQUESTS FOR INFORMATION

Please fill out the warranty registration card accompanying your SSS XL Floor Machine, giving complete information as requested on the card, and return to Triple S.

This warranty is in lieu of all other expressed or implied warranties.

