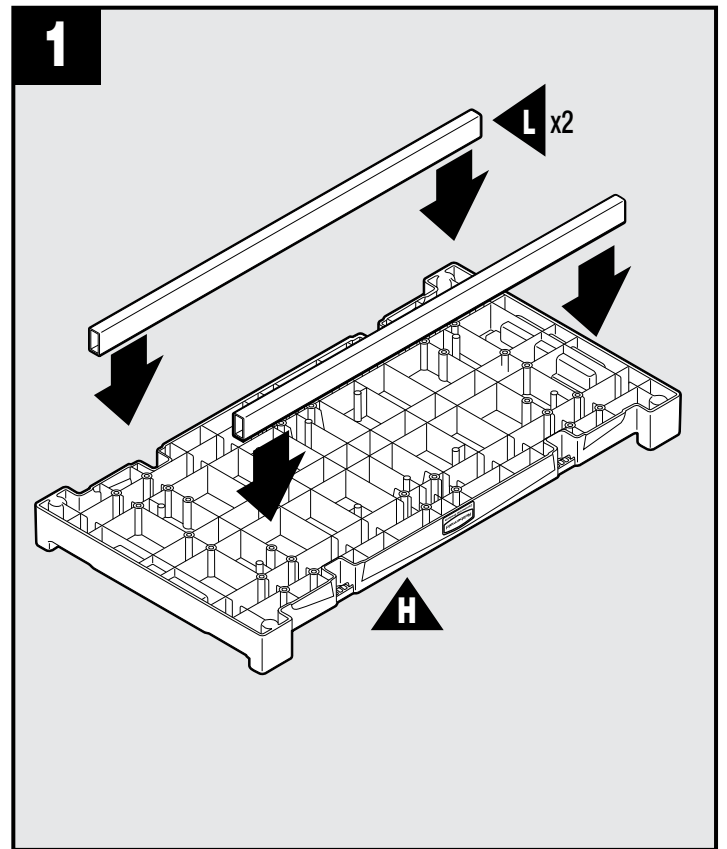
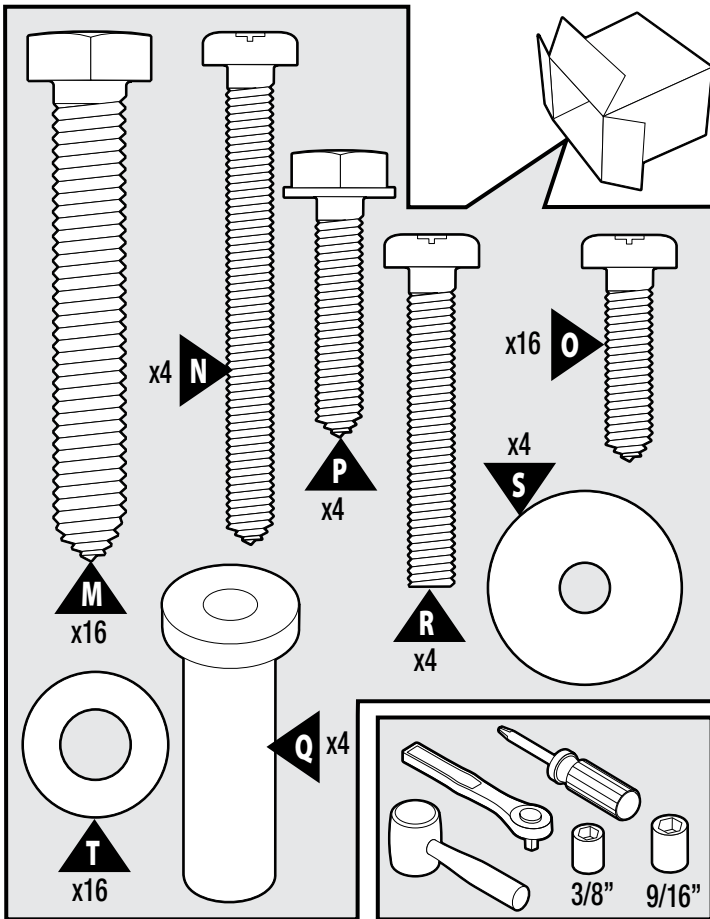
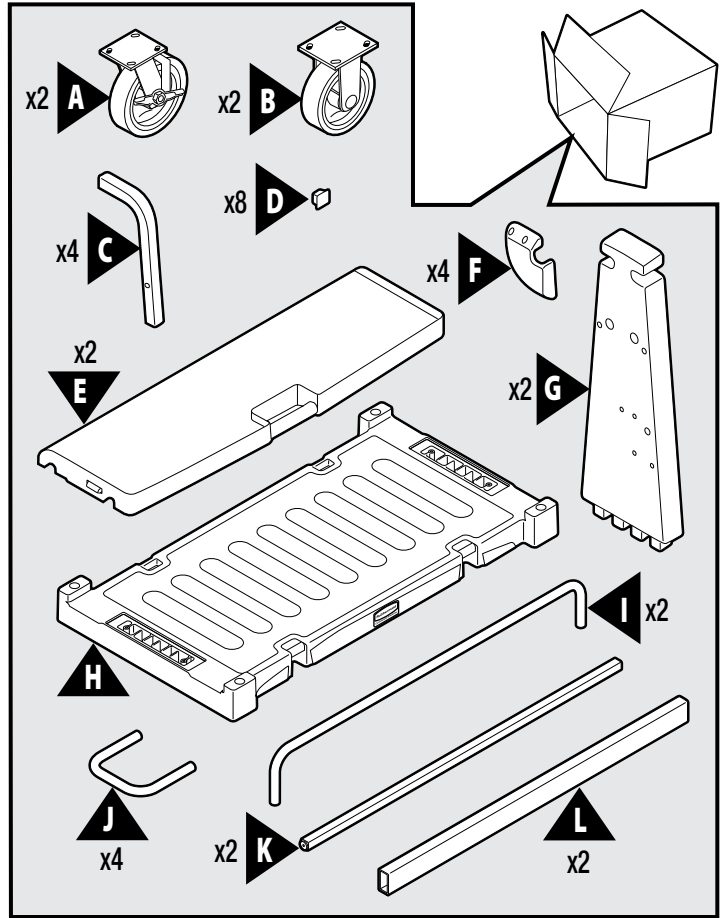
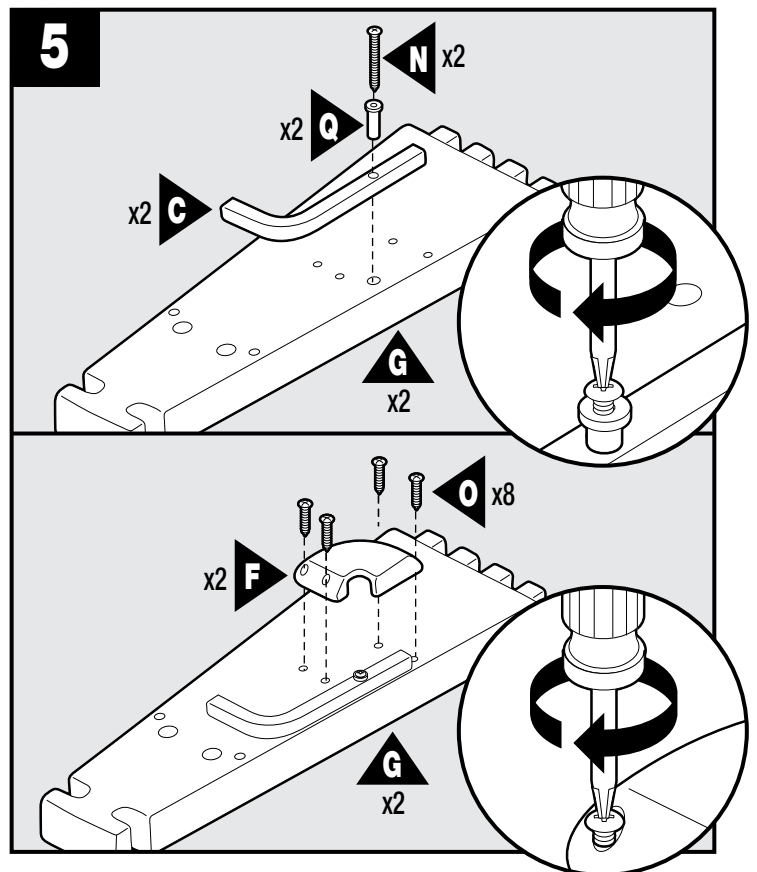
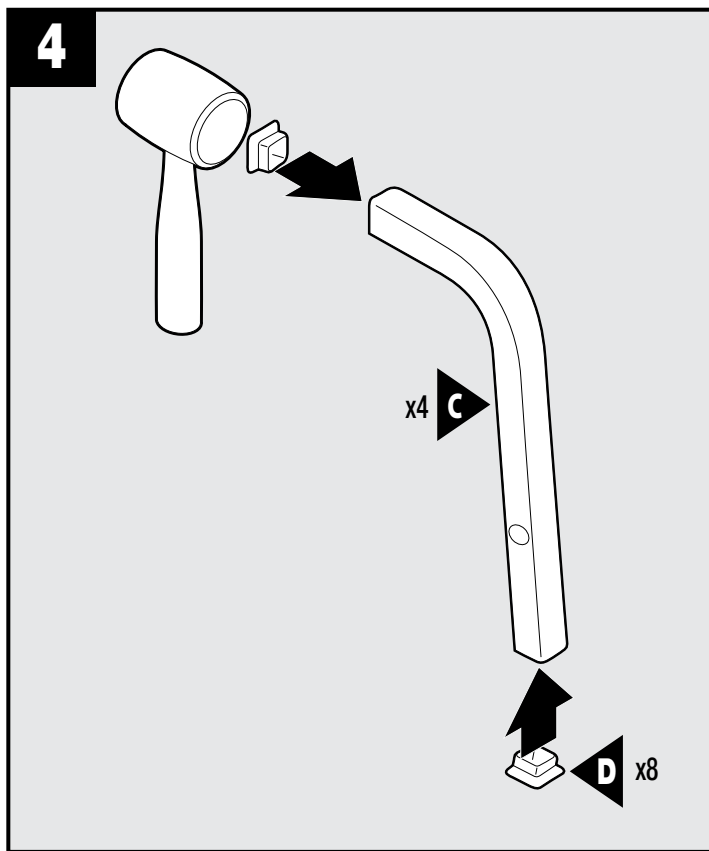
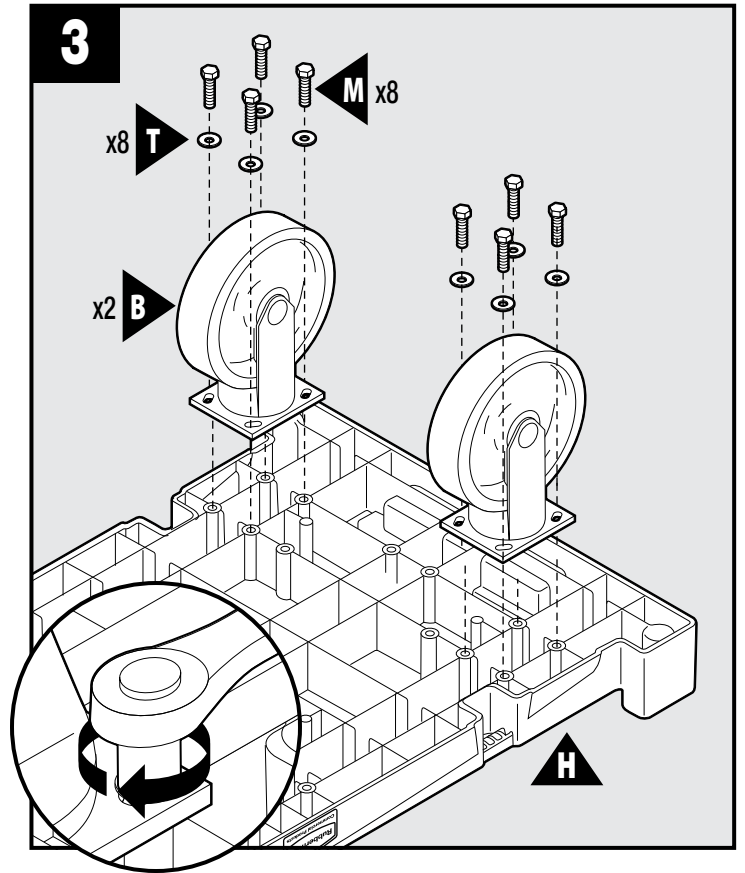
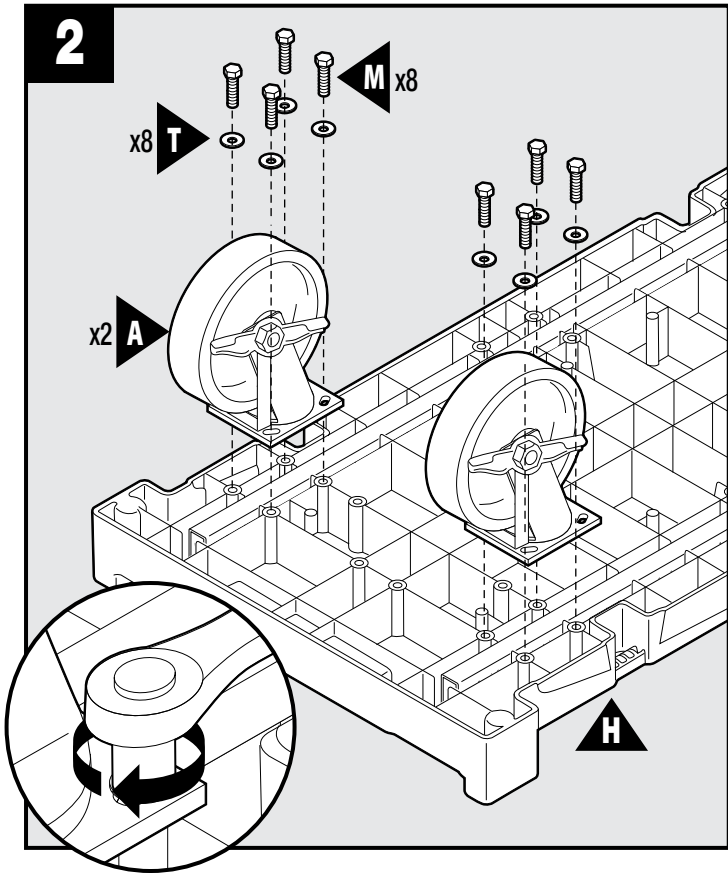
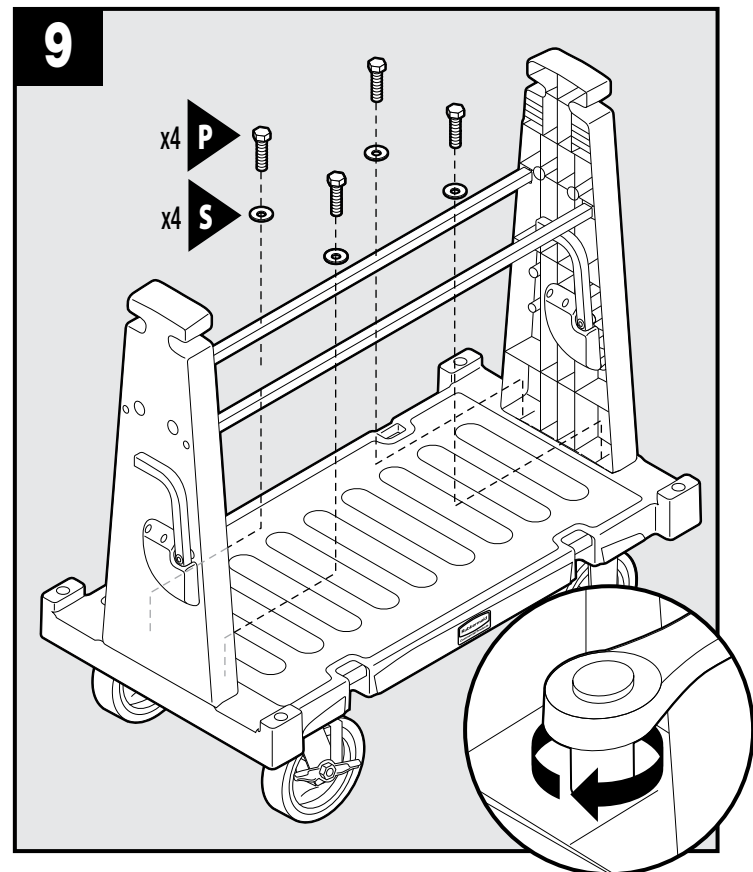
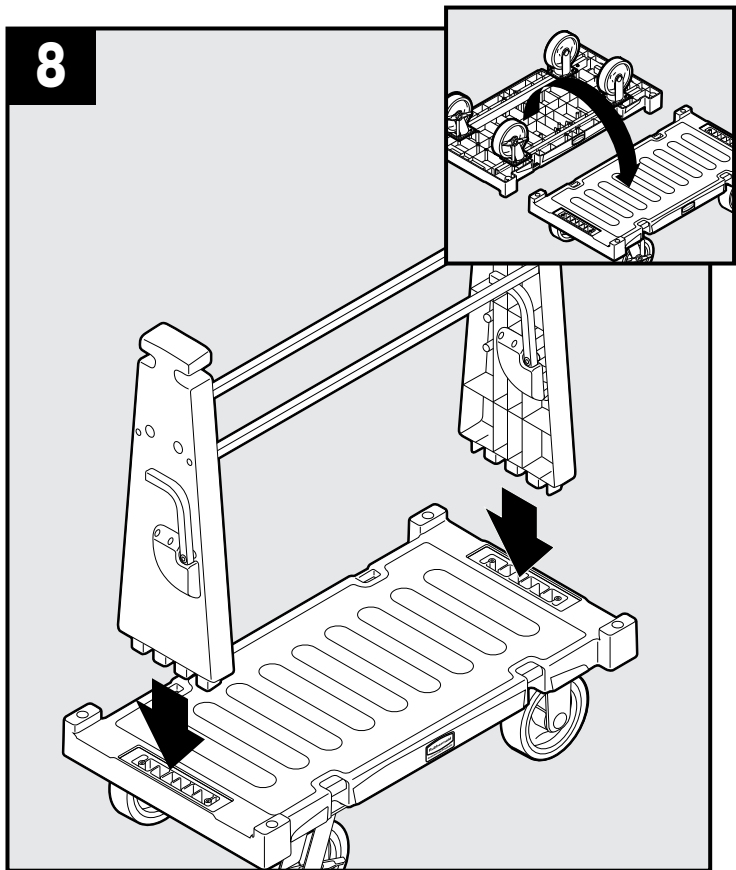
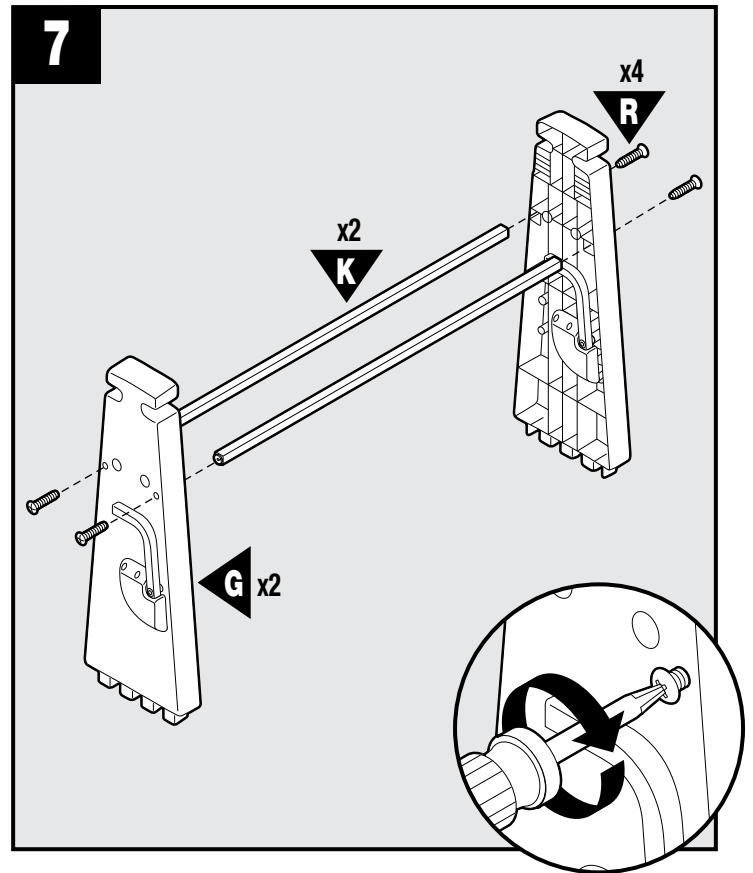
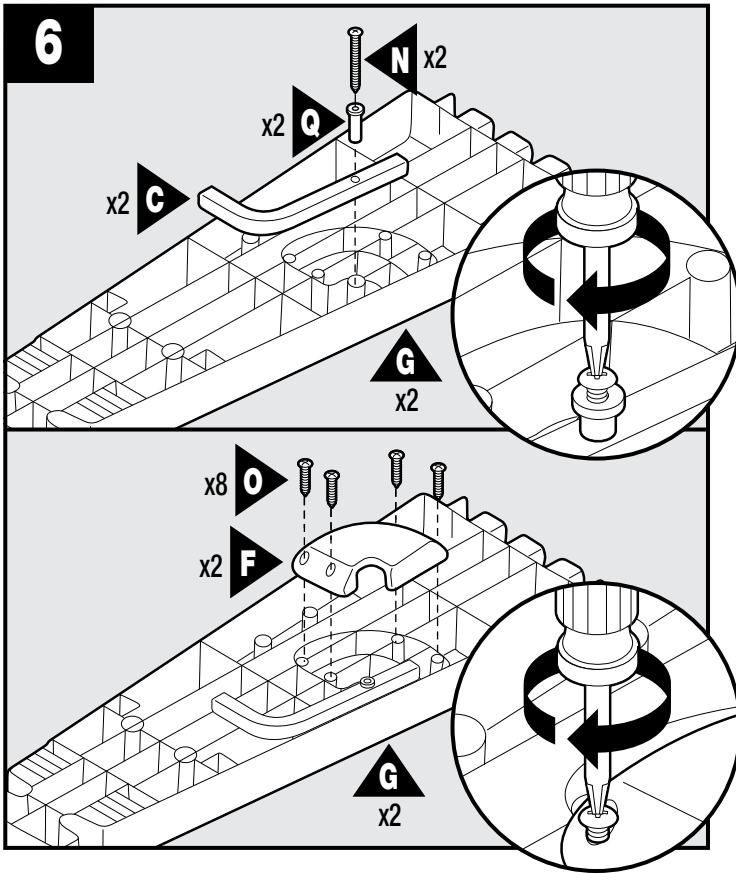
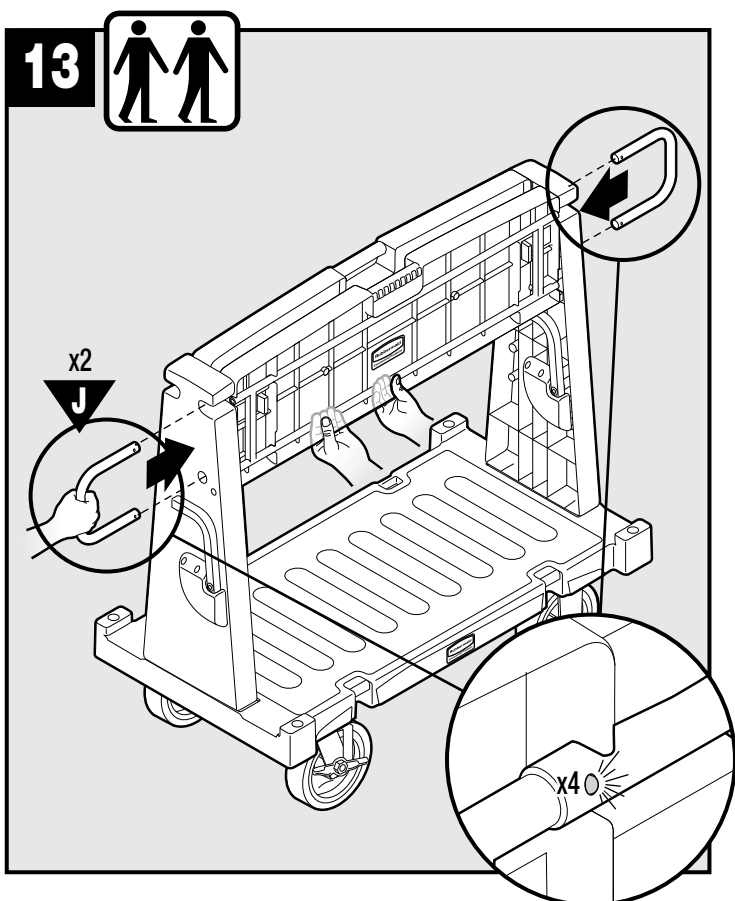
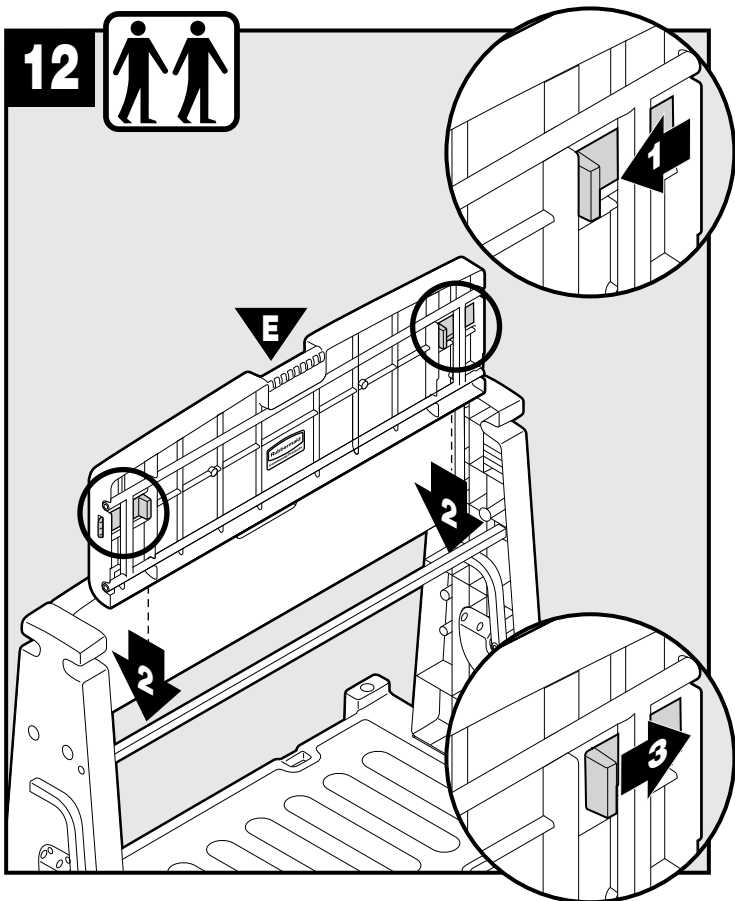
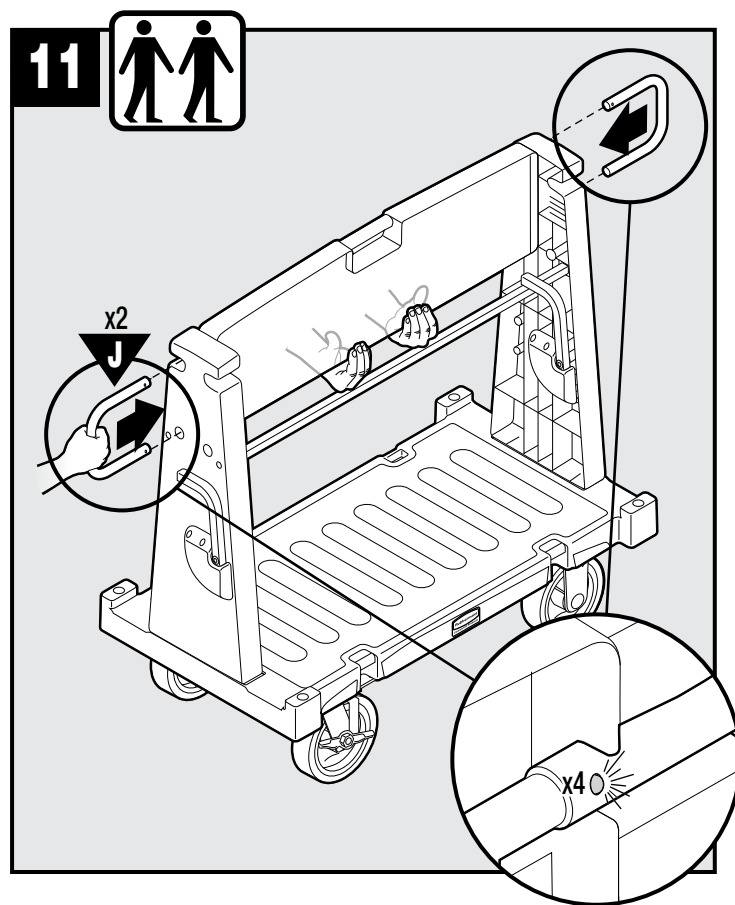
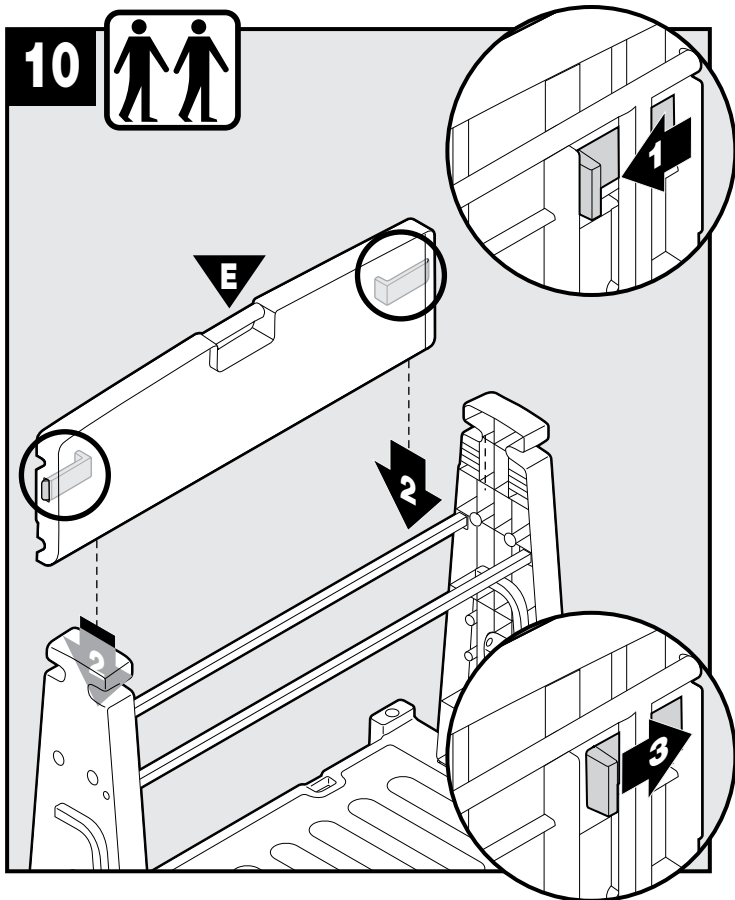


4465

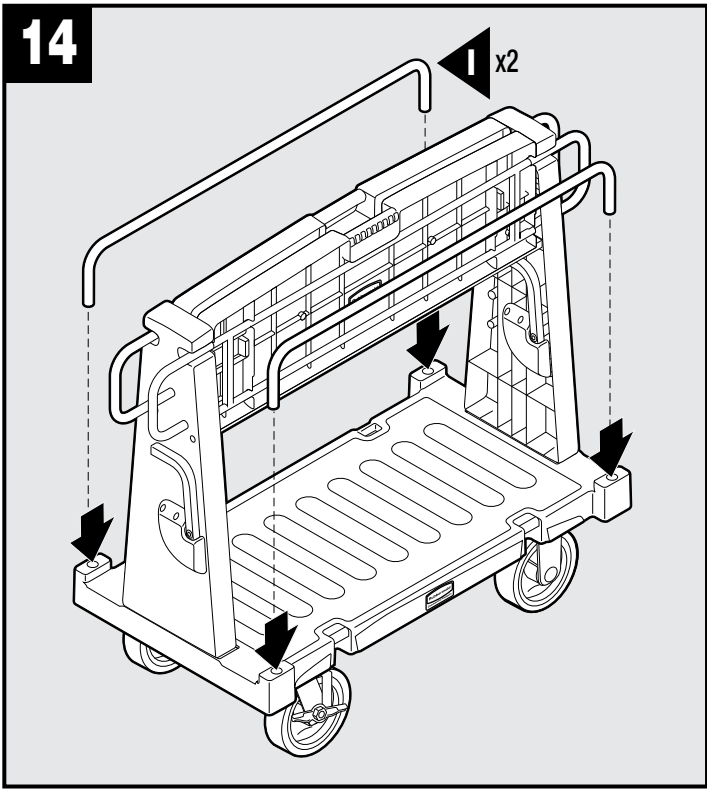








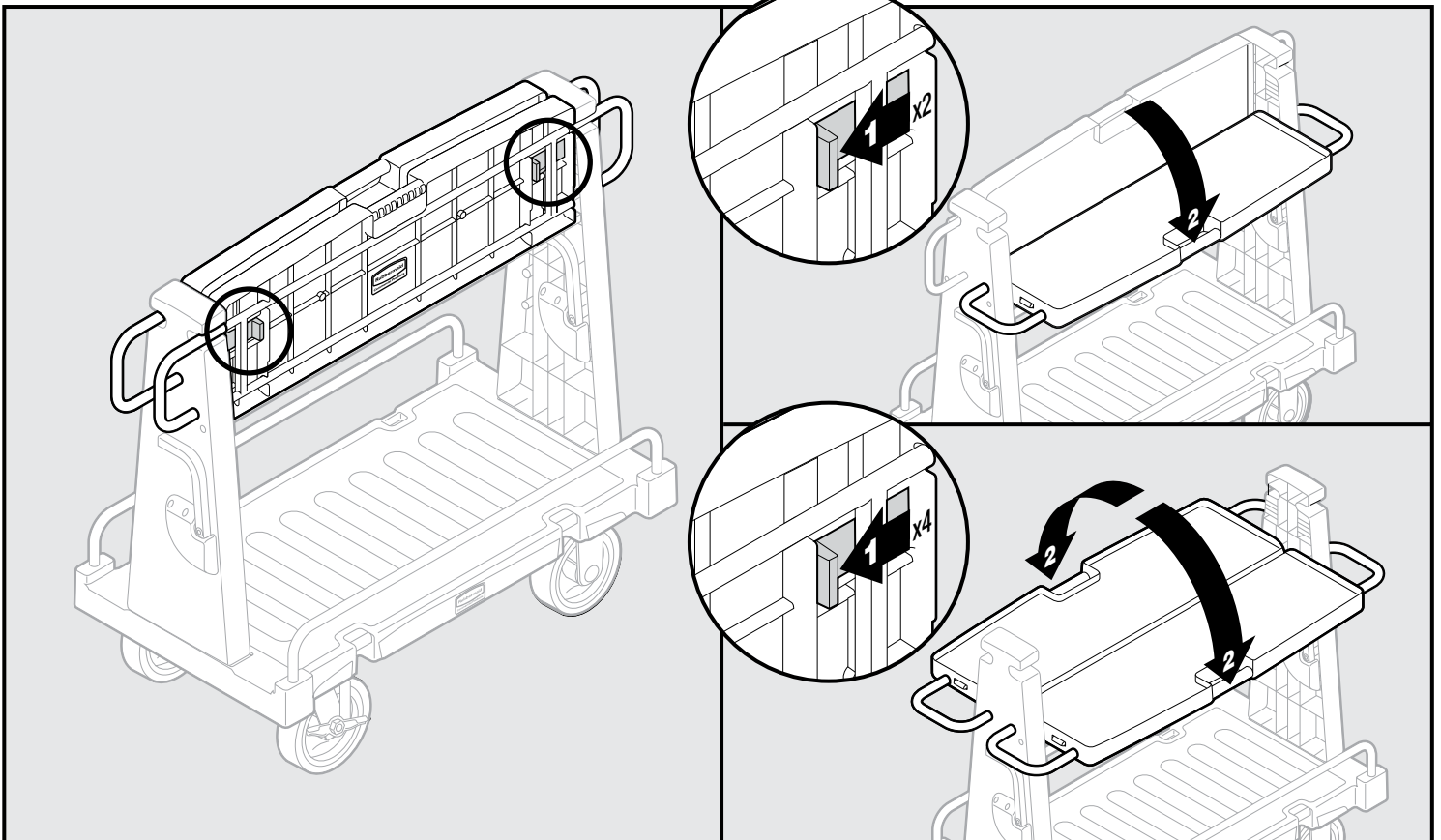
14

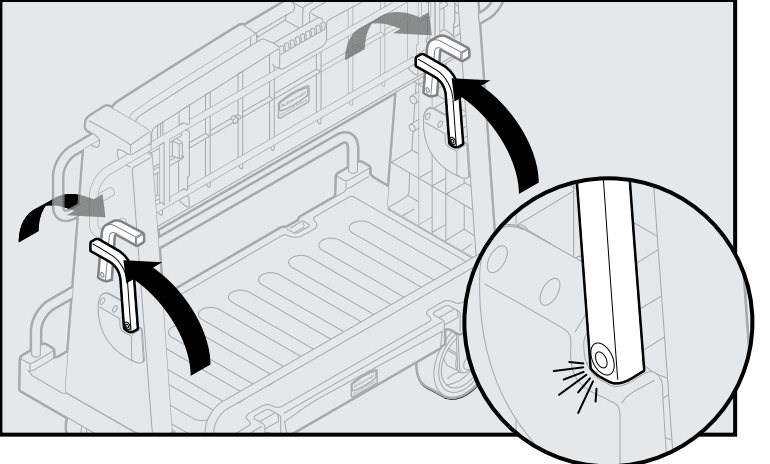
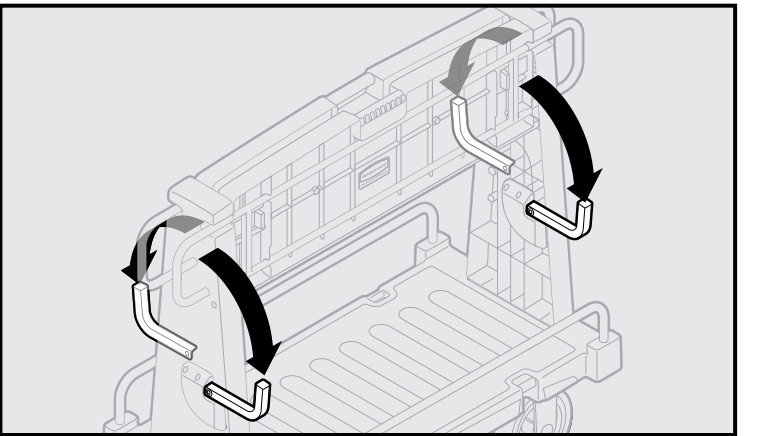
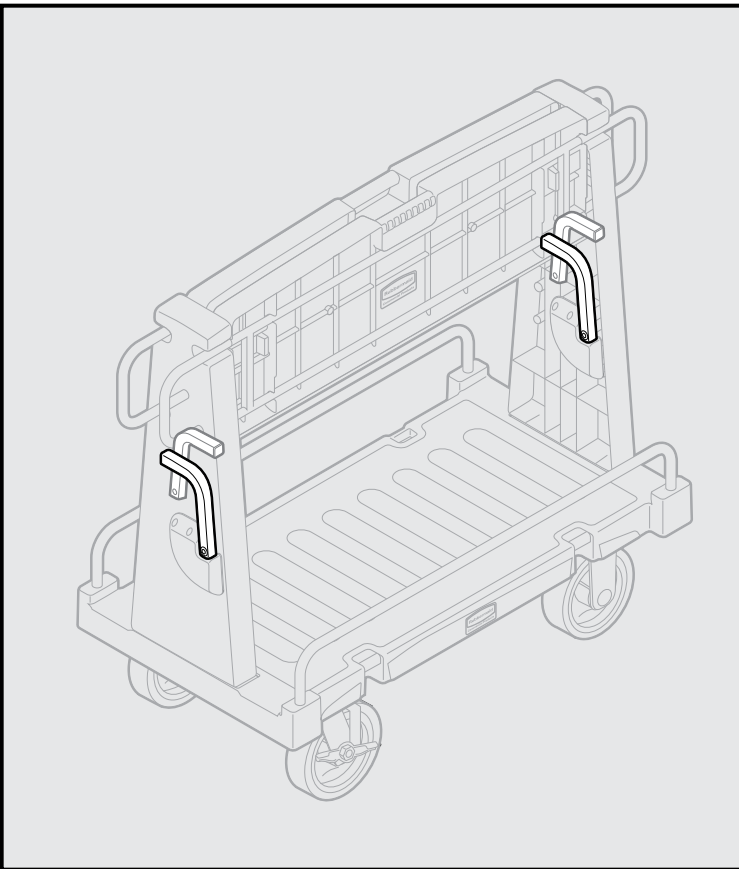
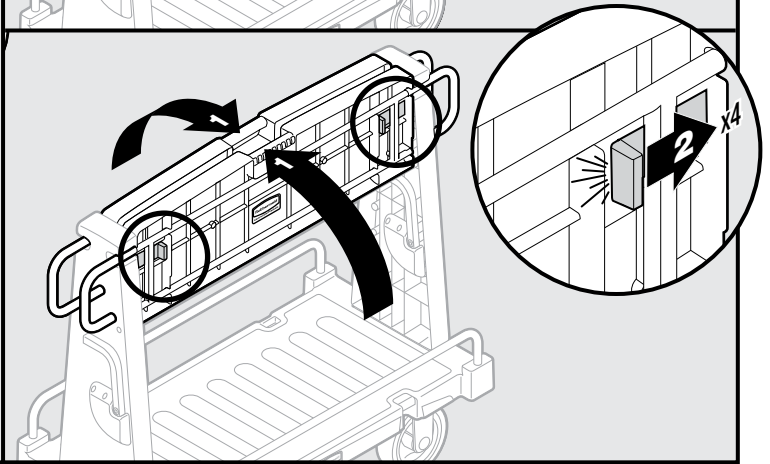
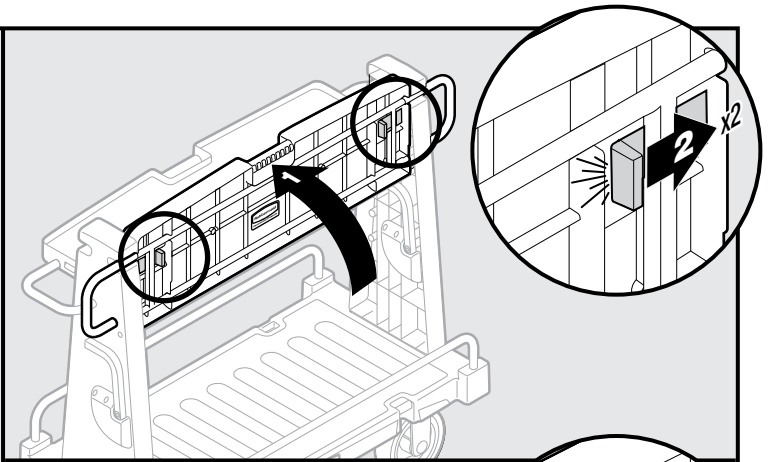
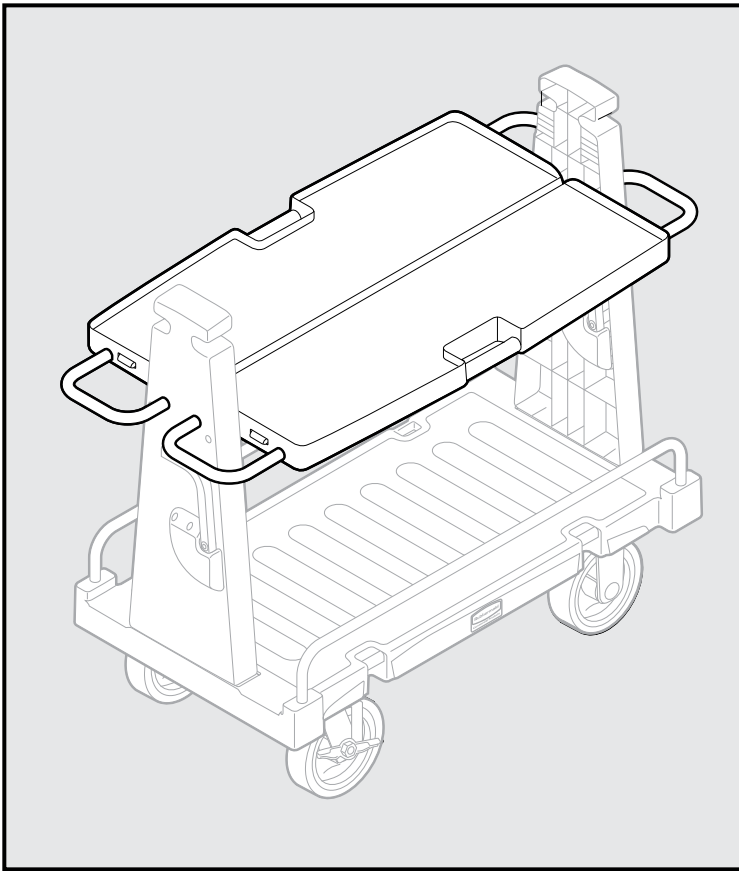


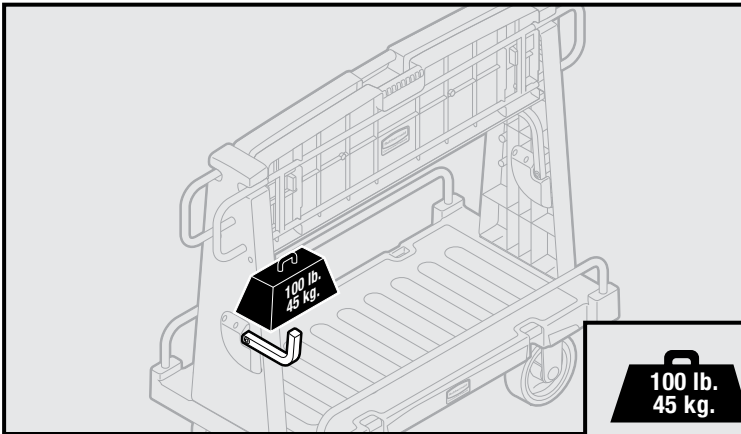
Usage Instructions/Instructions d'utilisation/Instrucciones del uso/

Verwendungs-Anweisungen/Istruzioni di uso/用量指令/使用法命令 /

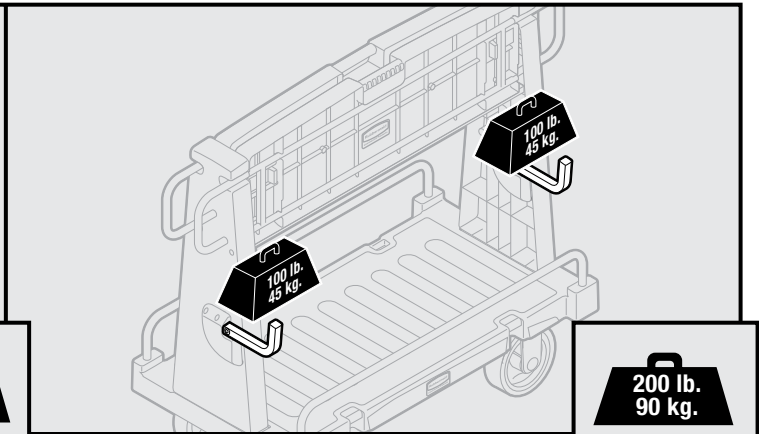
De Instructies van het gebruik



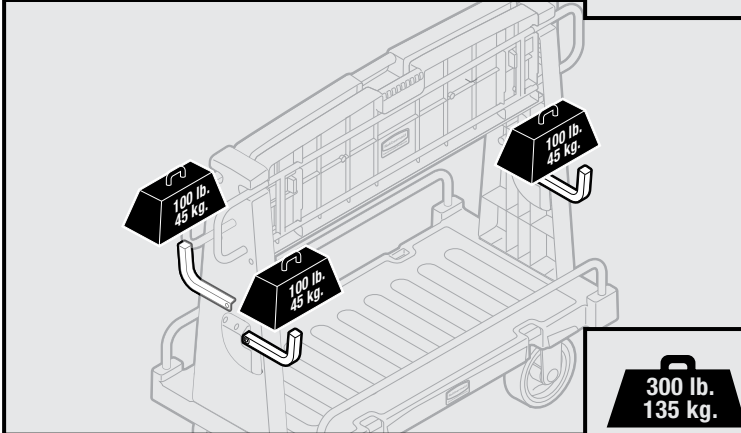




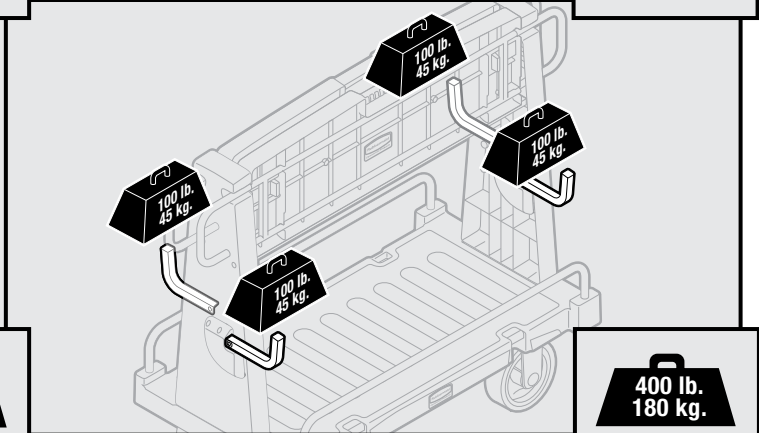
100 lb.
45 kg.



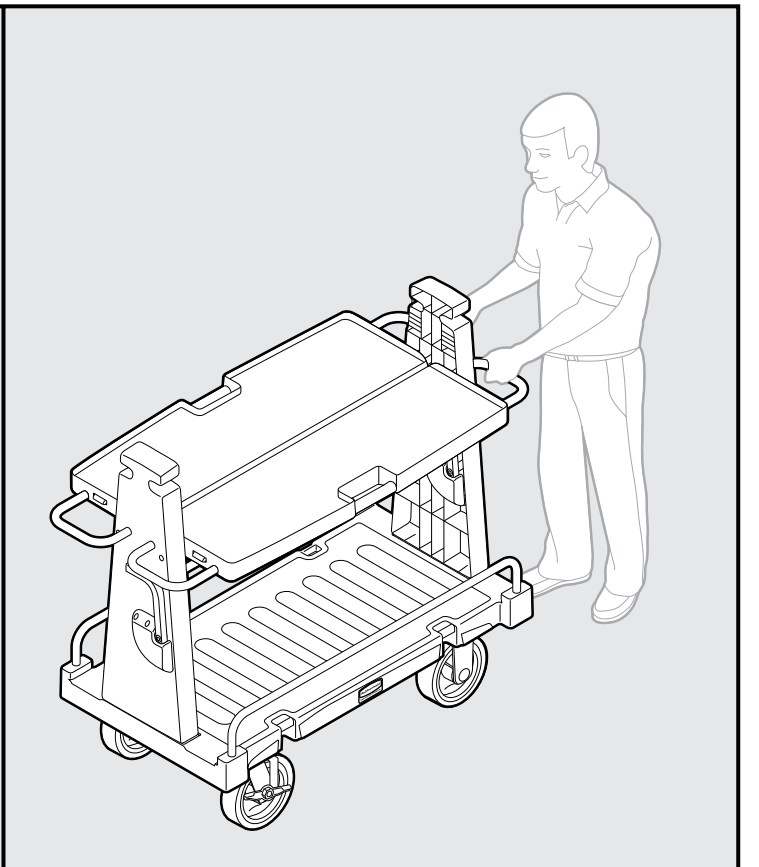
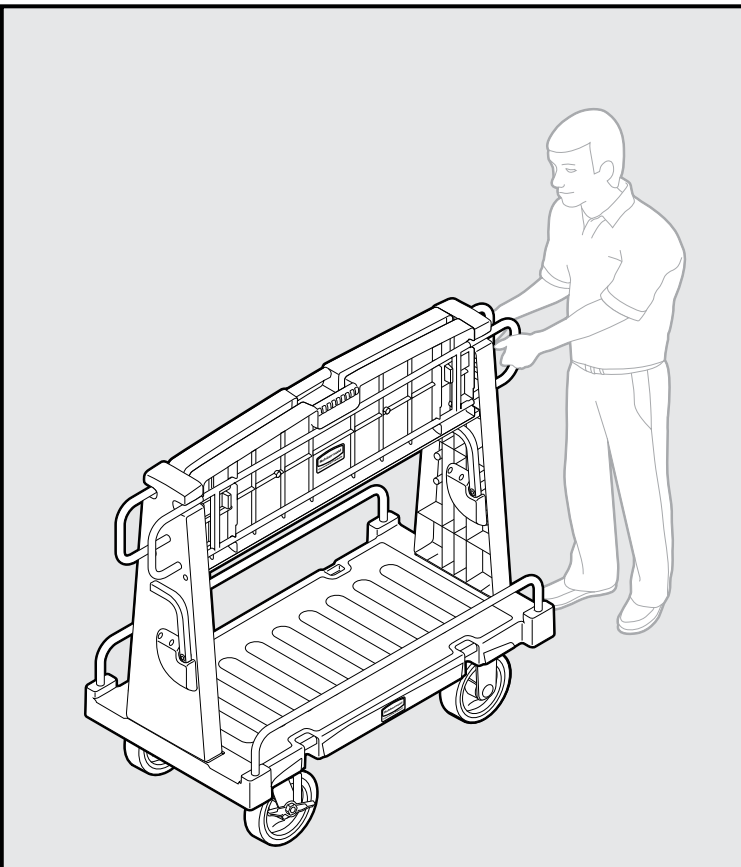
200 lb.
90 kg.

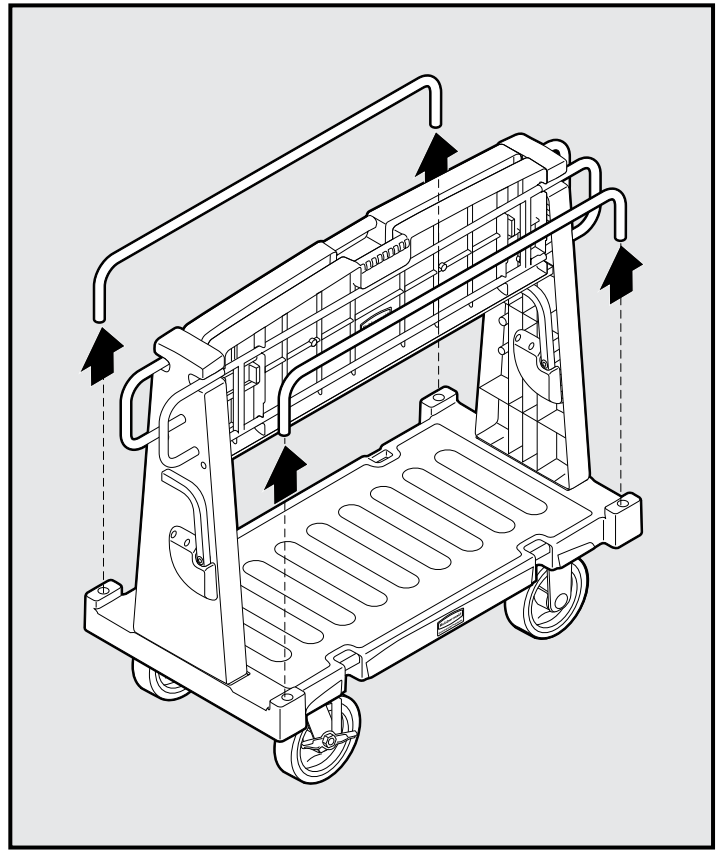
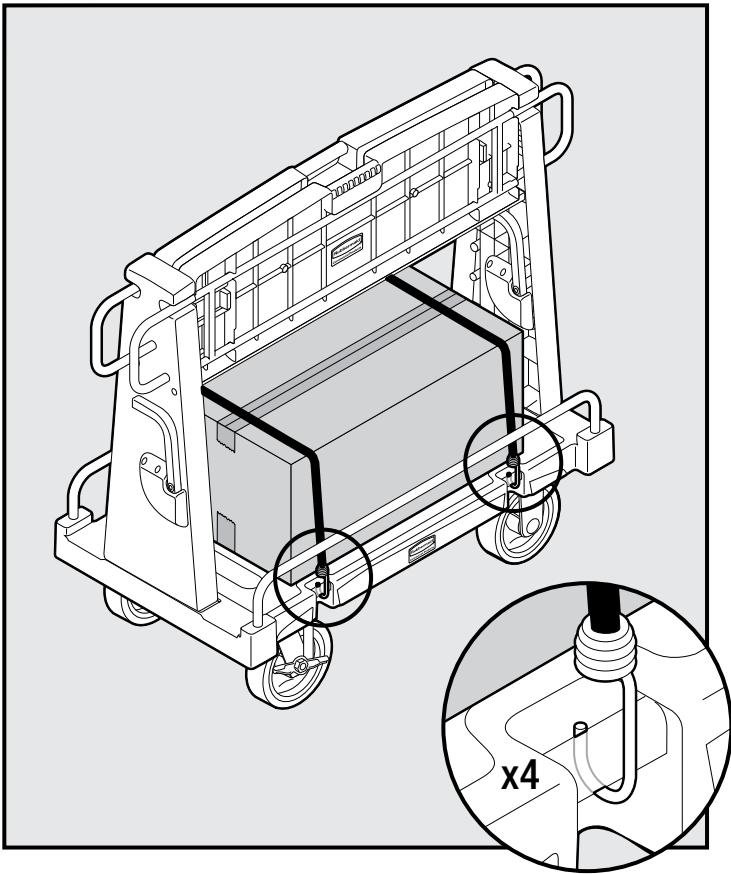


300 lb.
135 kg.



400 lb.
180 kg.





Products manufactured under quality management system registered to ISO 9001:2000
©2009 Rubbermaid Commercial Products LLC
Printed in U.S.A.
Product # 4465



Rubbermaid Commercial Products LLC
3124 Valley Avenue
Winchester, VA 22601 U.S.A.
Phone: 540-667-8700
Fax: 540-542-8770
www.rubbermaidcommercial.com #3485423