



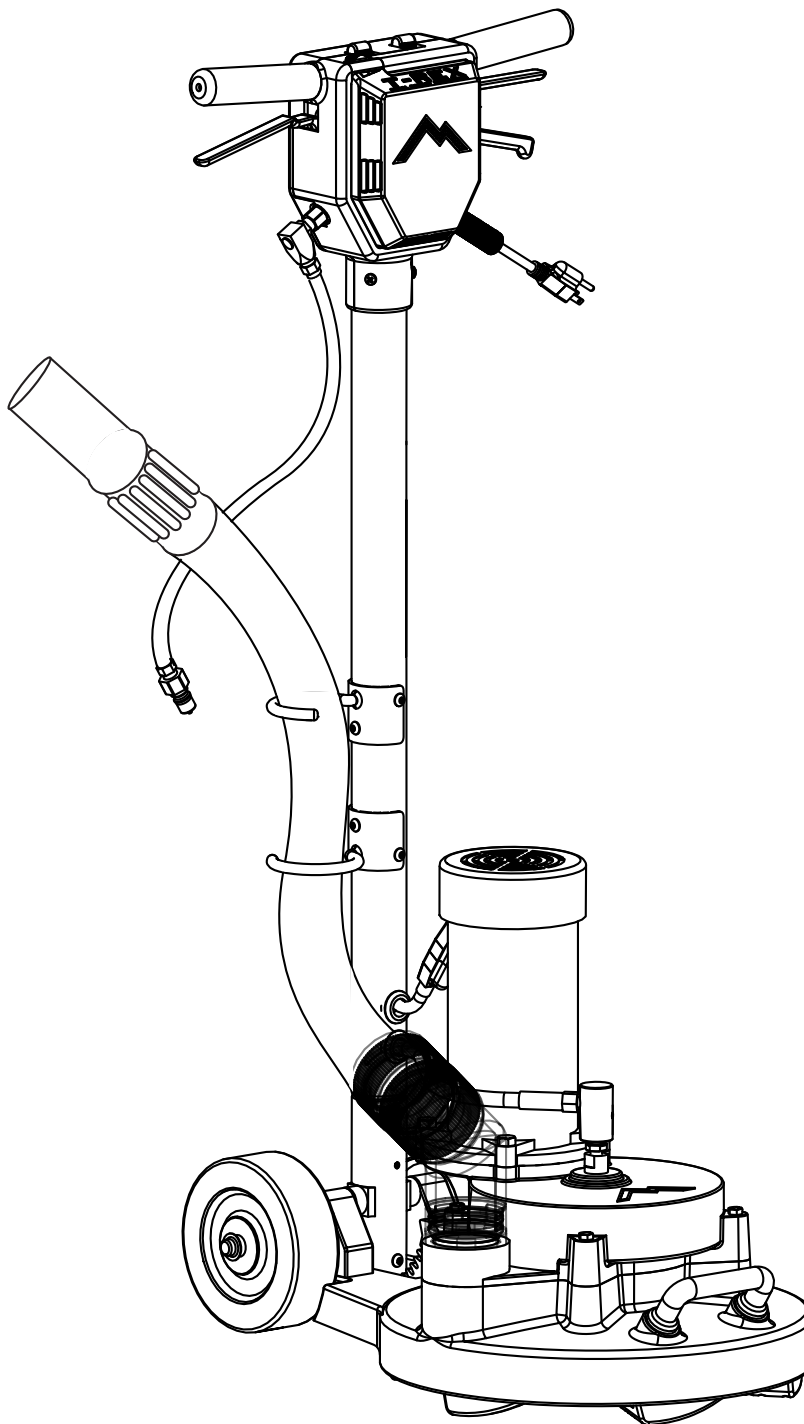
Instructions for **TREX™ TOTAL ROTARY EXTRACTOR**



Please read before use.



Register your product at
[http://www.mytee.com/
support/register](http://www.mytee.com/support/register)



Set up p.2
Parts & pricing p.8
Wiring diagram p.11
General & Maintenance information p.12

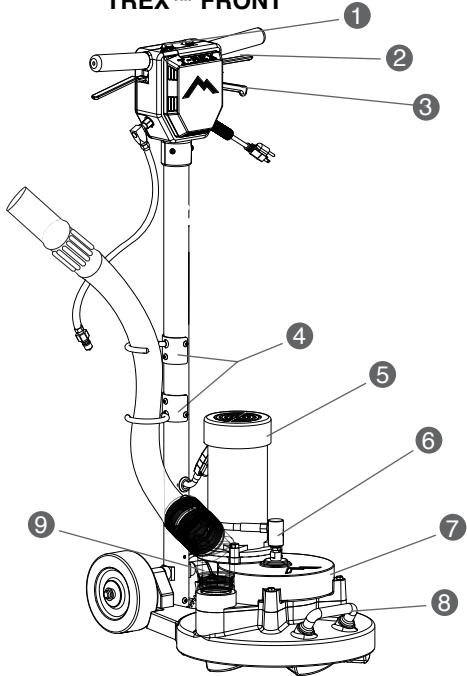
Model # _____

Serial # _____

Form # ADM-TREX

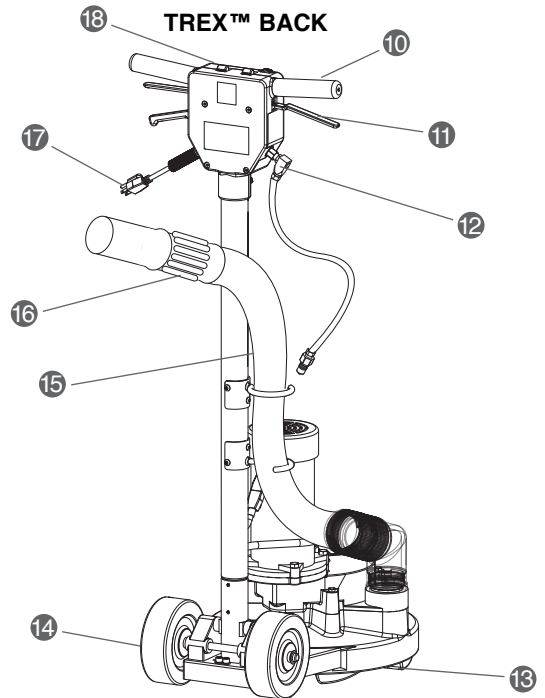
01-13

TREX™ FRONT



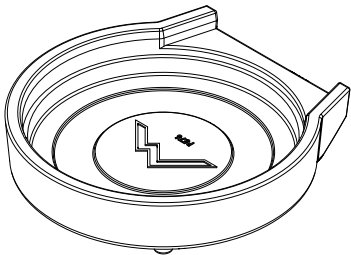
- 1. Speed Control Knob
- 2. Switch Lever
- 3. Handle Adjustment Lever
- 4. Hose Restraints
- 5. Motor
- 6. Rotary Union
- 7. Transmission
- 8. Lift handle
- 9. Clear View Cuff-Lynx™ Elbow

TREX™ BACK

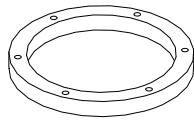


- 10. Handles
- 11. Solution Lever
- 12. 90° Quick Connect Swivel
- 13. Cleaning Head
- 14. Heavy Duty Wheels
- 15. 2" x 25" Vacuum hose
- 16. Vacuum relief
- 17. Pigtail power cord
- 18. Safety Lockout

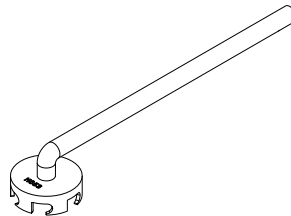
TREX™ ITEMS INCLUDED



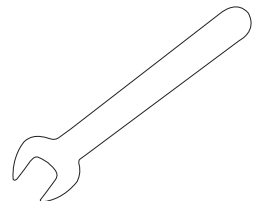
A916 - Head protector



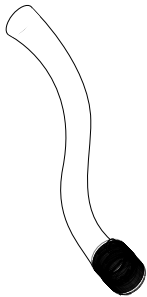
G014 - Felt Ring Seal



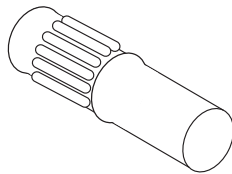
H053 - Head Removal Tool



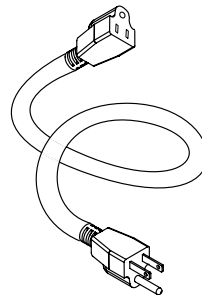
H051 - 5/8" Flat Wrench



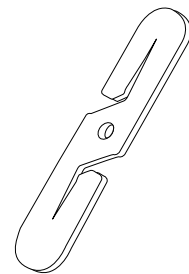
H061 - 2" x 25" Vacuum Hose



A917 - Vacuum Relief

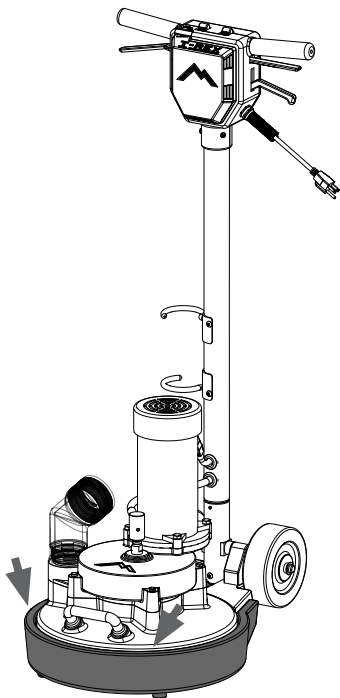


E617A - 25' Power Cord



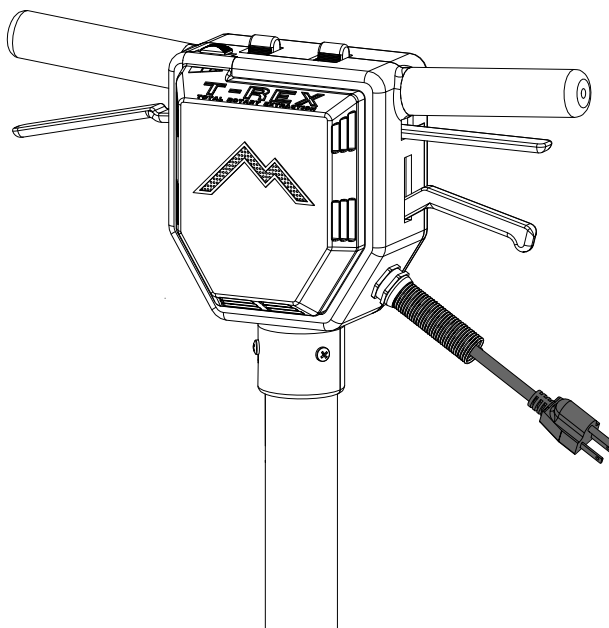
P568A - Cord Holder

TREX™ HEAD COVER



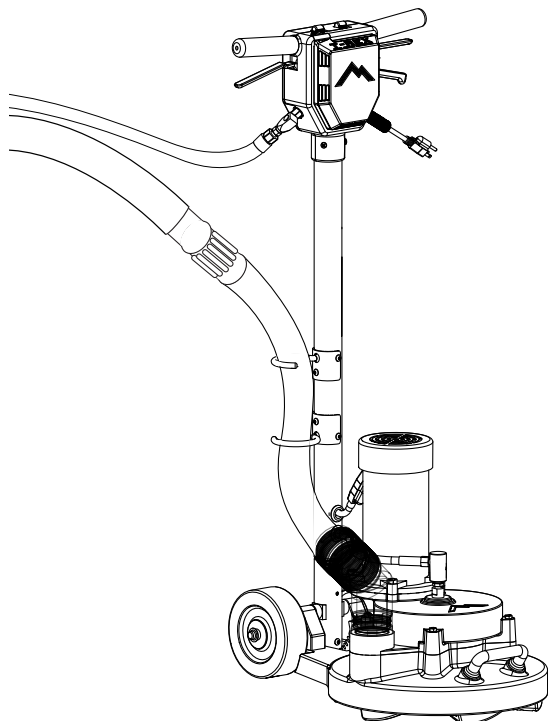
Head cover is protects the head from any type of damage. Simply press down on the head cover to remove. Apply cover when not in use.

TREX™ CORD



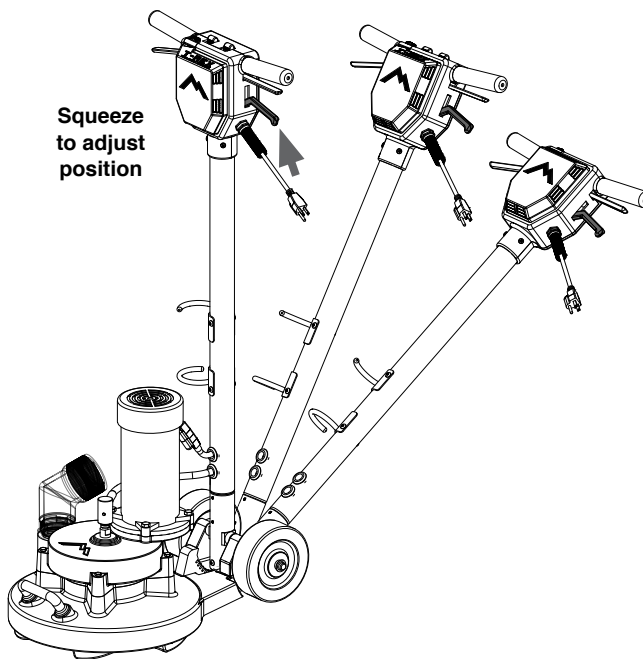
Connect pigtail plug to 25' power cord. Plug power cord into a grounded wall outlet.

TREX™ VAC/SOL HOSE CONNECTIONS



Connect solution hose from your extractor to swivel QD fitting on TREX™ handle. Also, connect vacuum hose from extractor to vacuum relief inlet on TREX™

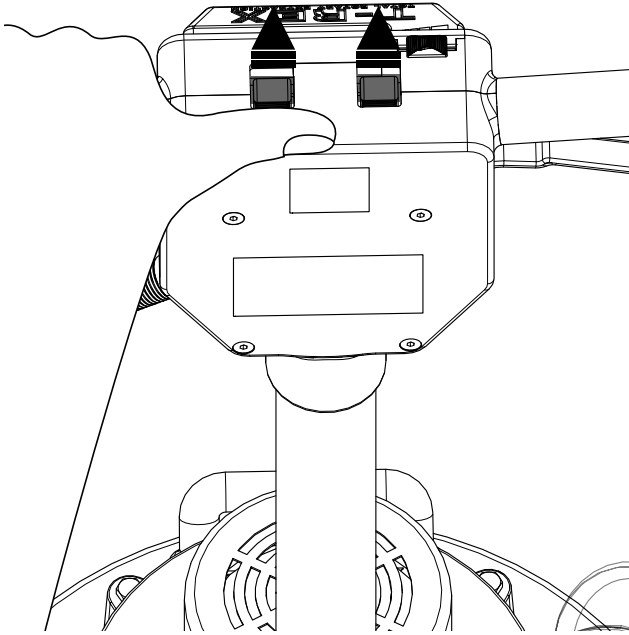
TREX™ ADJUSTMENT LEVER



Squeeze to adjust position

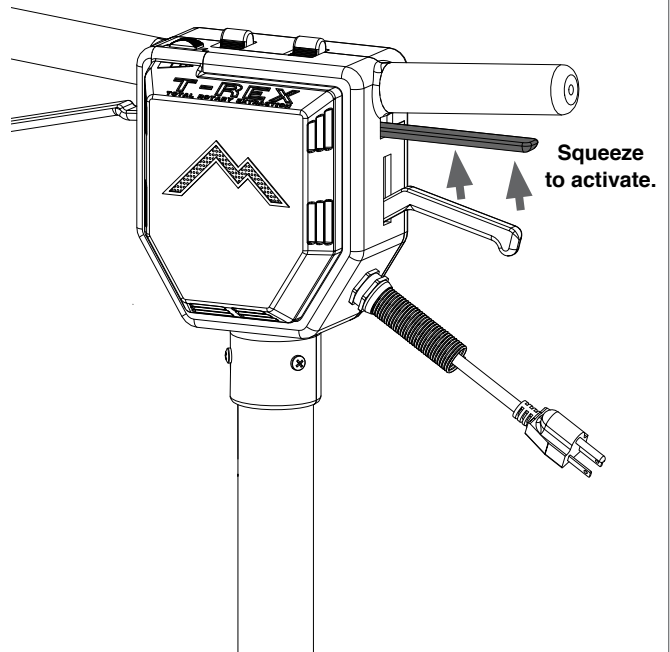
The handle can be adjusted to any desired working position by simply squeezing the adjustment lever. Move the handle to the desired position, then release adjustment lever locking handle in place.

TREX™ SAFETY SWITCH



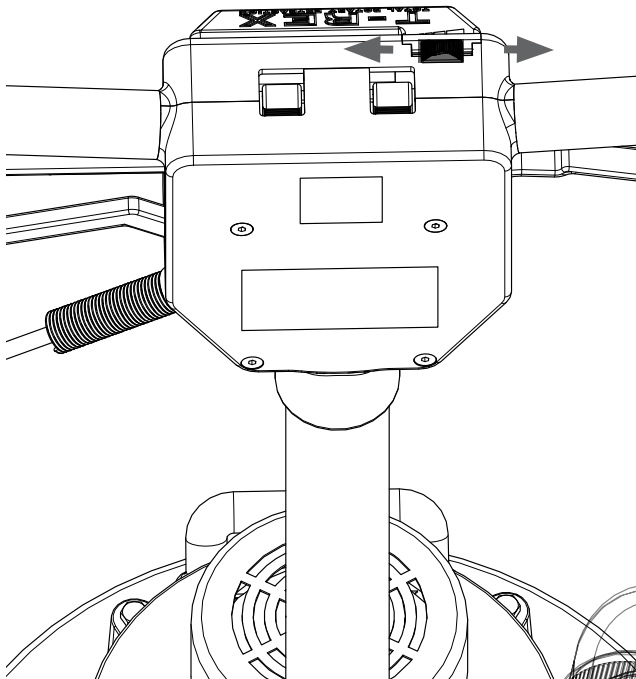
The handle must be lowered to the operating position before switching the machine ON. Disengage the safety switch lock by pushing it forward with either thumb.

TREX™ ACTIVATION LEVER



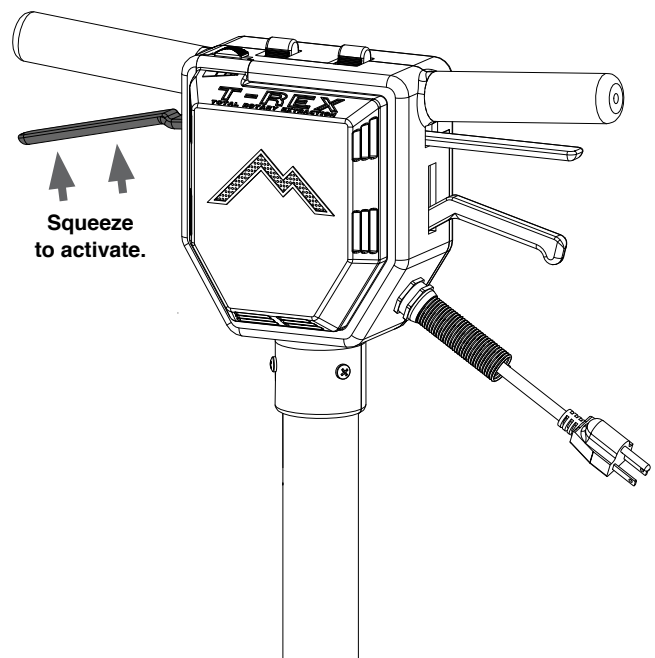
While holding the safety switch lock in disengaged position, squeeze the activation lever to operate machine. To stop the machine, simply release the lever.

TREX™ SPEED ADJUSTMENT



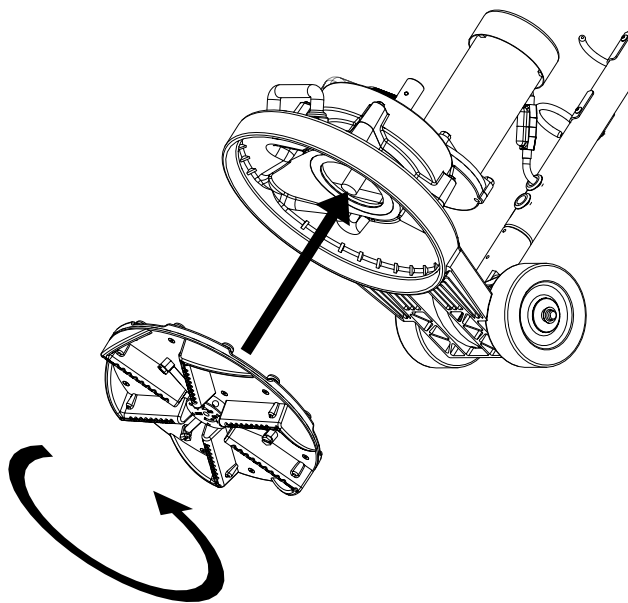
Located at the top of the unit is a speed adjuster. Unit adjusts from 80 - 160 RPM. Move to the left for a slower speed. Move to the right to speed up. Position to desired speed.

TREX™ SOLUTION LEVER



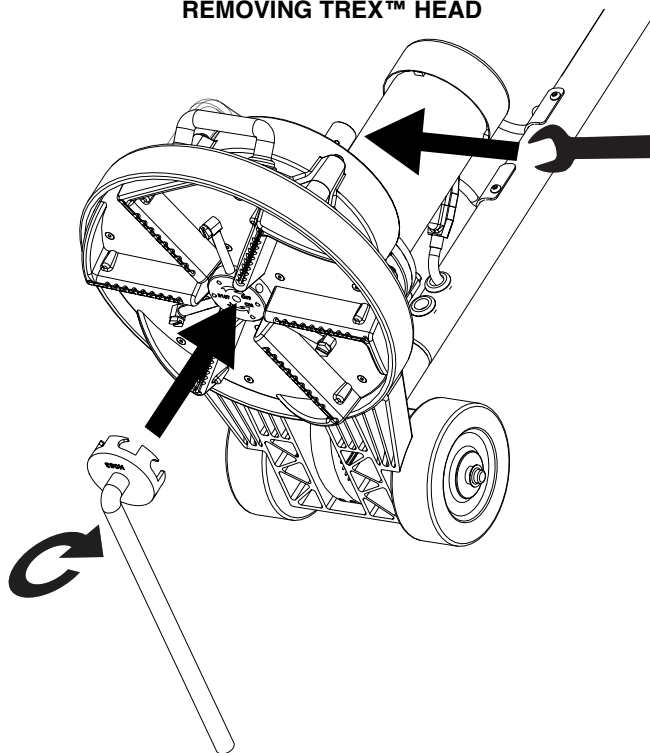
Squeeze lever for solution flow. PSI will be controlled by your extraction unit.

ATTACHING TREX™ HEAD



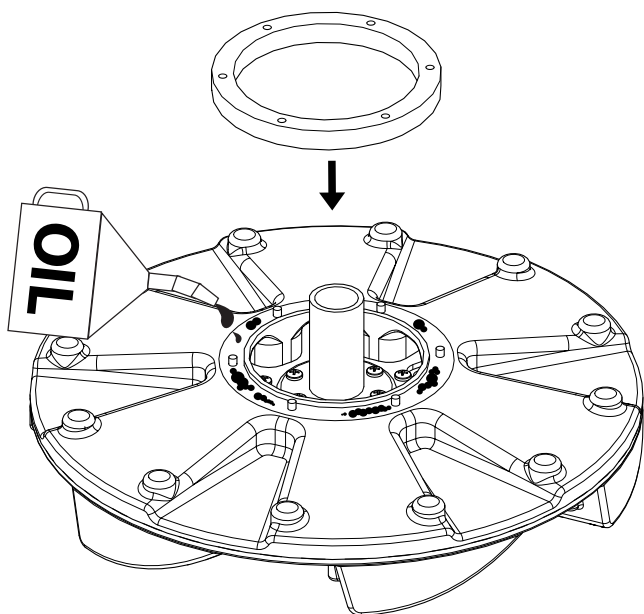
To attach the head, place the center piece of the head on the threaded piece located underneath, at the center of the TREX™. Once on, twist counter-clockwise.

REMOVING TREX™ HEAD



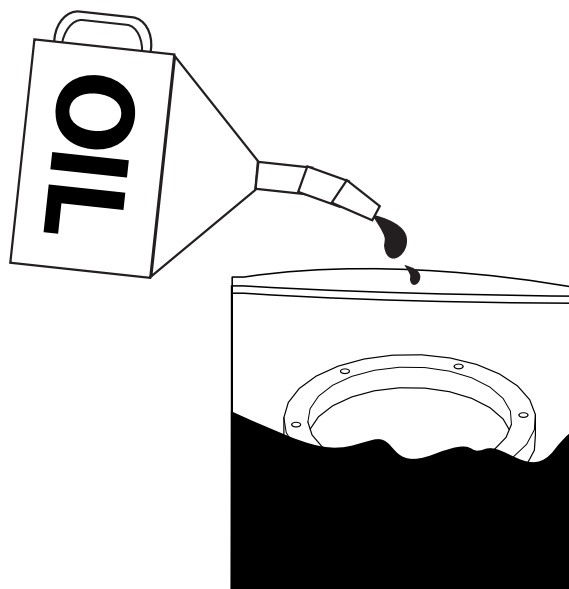
To remove, place wrench on rotary union and attach the head removal tool and twist clockwise.

LUBRICATING VACUUM SEAL ON TOP OF HEAD



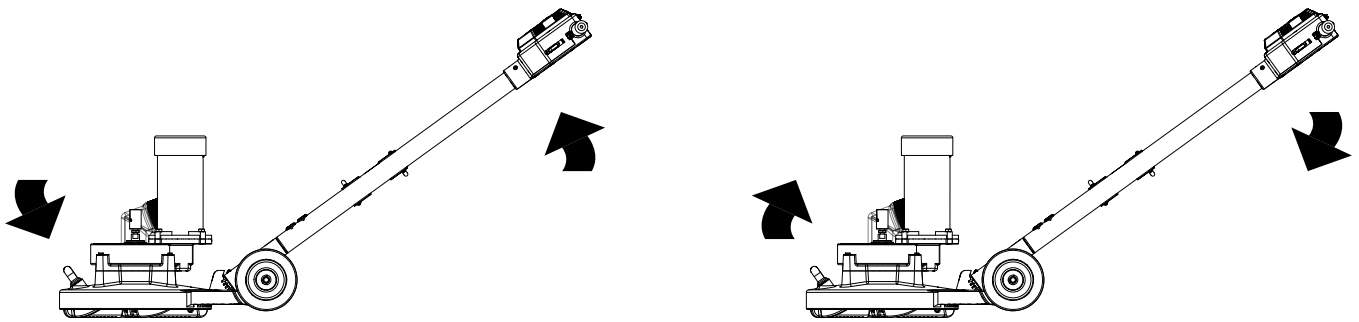
Lubricate the felt vacuum seal on top of the head with a quality, 30 weight SAE motor oil. In addition, add some drops to the seal seat.

LUBRICATING FELT SEAL



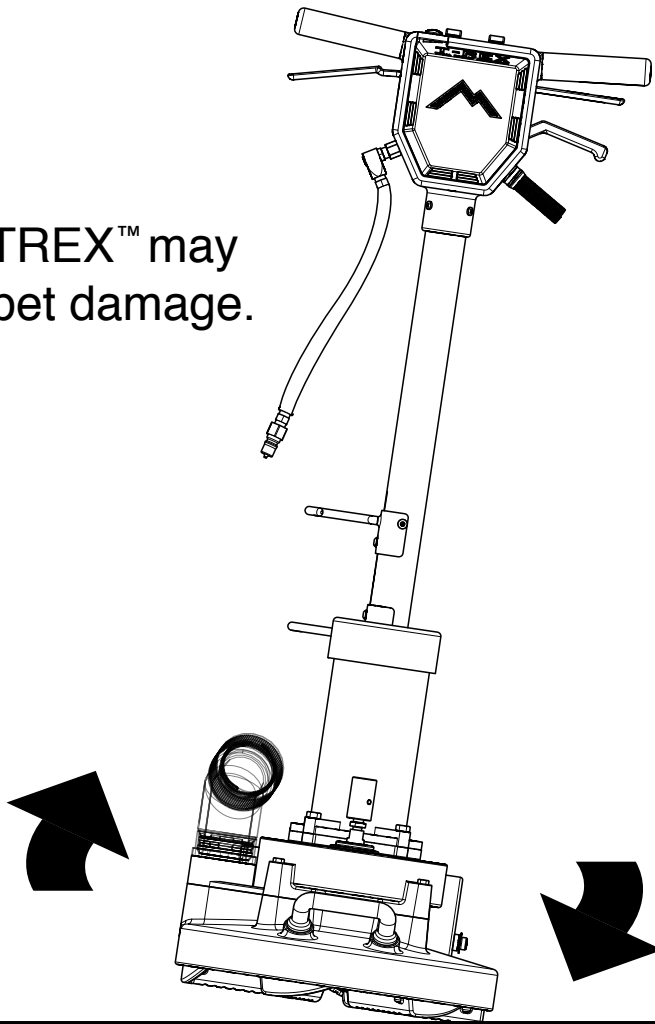
When it comes time to replace the felt seal, we recommend placing the felt seal in a zip lock bag along with some oil. Move the zip lock bag so that the entire felt seal is lubricated.

MANEUVERING YOUR TREX™



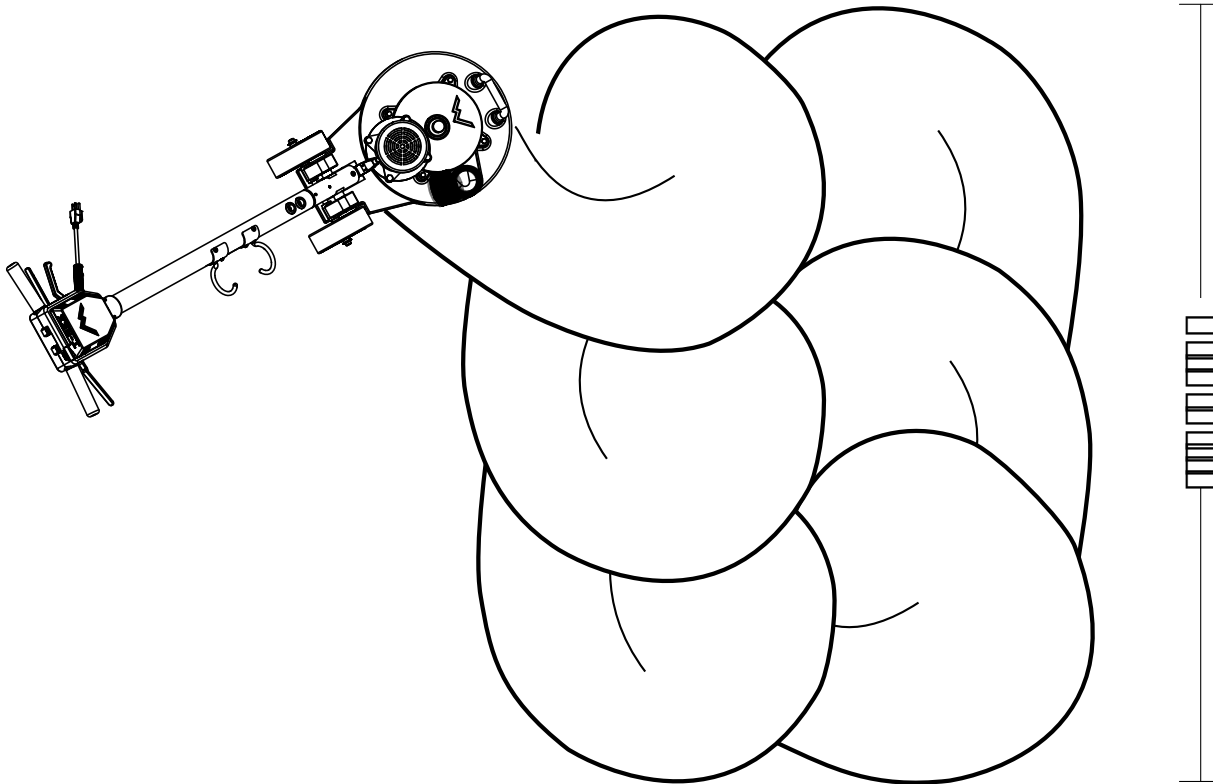
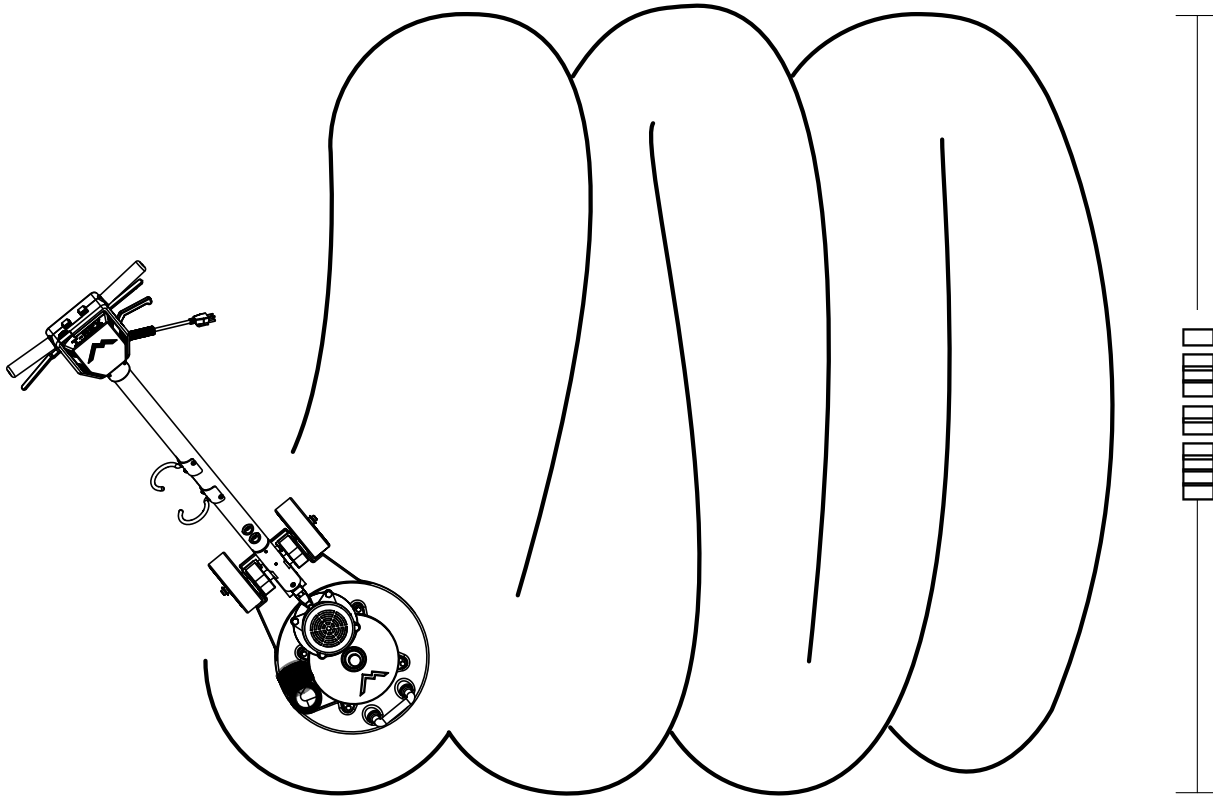
CAUTION

Tilting your TREX™ may result in carpet damage.



Your TREX™ maneuvers much like a floor machine. Slightly lift handle to move to the right. Press the handle down slightly to move to the left. Tilting your TREX™ may result in carpet damage. Remember to always keep TREX™ evenly balanced on the surface.

CORRECT CLEANING PATTERNS



To get the best carpet cleaning results, move your TREX™ in an arc pattern or circular motion. To remove stubborn stains, try hovering the TREX™ over the stain.

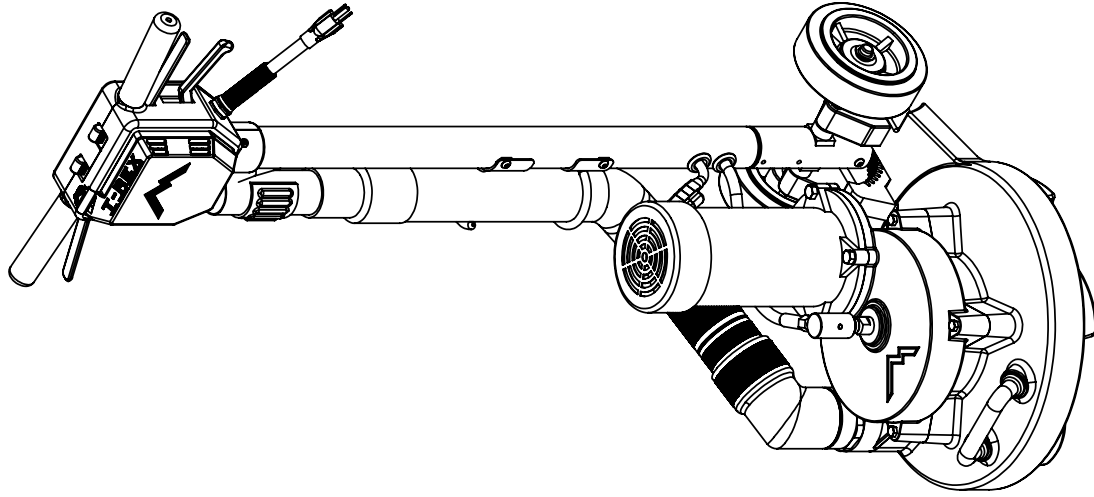
TREX™ PARTS & PRICING

ITEM NO.	PART NO.	DESCRIPTION	QTY.	MSRP
1	H341	handle pivot, floor machine	1	\$74.99 ea
2	H089	axle, 1.144" x .50" dia	1	\$7.99 ea
3	H267	pivot support, t-rex	2	\$40.99 ea
4	H665	wheel, 6" dia, 2" width, 1/2 axle	2	\$24.99 ea
5	H219	cap axle, 1/2"	2	\$0.99 ea
6	H702	roll pin, 1 3/4" x 1/2"	2	\$0.99 ea
7	H157	spring, handle adjustment	1	\$5.99 ea
8	H847	bushing, locking piston	1	\$17.99 ea
9	H152	retaining ring, internal 1 1/2"	1	\$0.99 ea
10	H844	locking piston, handle adj.	1	\$19.99 ea
11	H148	washer, 5/16" x 1/4"	7	\$0.99 ea
12	H843	locking arc, handle adj, floor machine	1	\$51.99 ea
13	H421	washer, 5/16" lock, s/s	10	\$0.99 ea
14	H151	bolt, 5/16-18 x 3/4" Long SHCS	10	\$0.99 ea
15	H705	bolt, guide, locking piston	1	\$0.99 ea
16	A102	assembly, cleaning head, TRex	1	\$699.99 ea
17	H126	plate, seal, head/bell housing	1	\$5.99 ea
18	P516	bell housing and chasis, t-rex	1	\$39.99 ea
19	H768	bolt, 1/4-20 x 3/4" serrated hex flange, zinc	2	\$0.99 ea
20	H485	handle, breeze and dx	1	\$6.99 ea
21	G023	o-ring, 8.5" o.d. x 1/8" width	1	\$0.99 ea
22	A918	transmission, T-Rex	1	\$499.00 ea
23	B139	rotary union	1	\$159.99 ea
24	P517	vacuum sight tube w/ 2" fv mpt Cuff-Lynx	1	\$31.99 ea
25	H220	screw, 10-32 x 1/2" phil pan head, s/s	7	\$0.99 ea
26	H882	screw, 8 x 3/4 phil pan head, type a, s/s	2	\$0.99 ea
27	P501	cover, controller board, t-rex	1	\$15.99 ea
28	E382	pcb speed control, t-rex	1	\$165.99 ea
29	H258	switch box, T-REX	1	\$25.99 ea
30	P574	knob, clear plastic, t-rex potent	1	\$1.49 ea
31	E363	potentiometer, slide, blue led	1	\$16.69 ea
32	B101	qd, brass, 1/4" m	1	\$8.49 ea
33	AH191	hose, 43" male fittings	1	\$28.99 ea
34	B105	bushing, brass, 3/8" mpt x 1/4"	1	\$3.19 ea
35	H461	filter, mesh, 5/8"	1	\$0.99 ea
36	B180	adapter, brass, 3/8" fpt x 1/4" mpt	1	\$6.99 ea
37	B103	elbow, brass, 90 deg, 1/4" mpt x 1/4" fpt	2	\$4.49 ea
38	B111	adapter, brass, extender, 1/4" mpt x 1/4" fpt, hex	1	\$3.49 ea
39	B133-A	valve, brass, w/ trigger for wands	1	\$30.99 ea
40	AH109	sol hose, 1/4" x 44" (OAL), Bentlys	1	\$45.99 ea
41	H136	Cuff-Lynx, 2" hose x 2" male swivel Cuff-Lynx	1	\$3.99 ea
42	C311	motor, dc, 1/2hp	1	\$369.99 ea
43	H061	2" vac hose x 2"	1	\$4.99/ft
44	H302	cuff, hose, 2" x 2.5", swivel, grey	1	\$12.99 ea
45	H063	sleeve, 2" dia x 7" w/ 1.25" hole, s/s	1	\$9.99 ea
46	G082A	sleeve, vac relief, 2", sph	1	\$1.99 ea
47	H054	bolt, 2/8-16 x 1-1/4", hex head	4	\$3.99 ea
48	H169	bolt, 1/4-20 x 2", hex head	4	\$3.99 ea
49	H215	nut, hex, 1/4-20 s/s	1	\$0.99 ea
50	H164	grommet, floor machine, 5/8" ID	2	\$1.99 ea
51	E350	power cord, female pigtail, 37', 16/3	1	\$11.49 ea
52	H047	screw, 1/4-20 x 1/2", button, s/s, blk oxide	6	\$0.99 ea
53	H247	sleeve/hose restraint, T-REX	2	\$55.99 ea
54	H159A	cabl, handle adj, floor machine	1	\$6.99 ea
55	H216	nut, lock, 1/4-20, nylon insert, s/s	1	\$0.99 ea

ITEM NO.	PART NO.	DESCRIPTION	QTY.	MSRP
56	H458	nut, lock, 10-32, thin pattern	2	
57	P529	spacer, lever, handle adj.	1	\$1.99 ea
58	H257	lever, solution, T-REX	1	\$9.99 ea
59	H127	switch, floor machine	1	\$13.99 ea
60	H127	bracket, mount, switch	1	\$0.99 ea
61	H640	washer, internal star, 3/8" zinc	1	\$0.99 ea
62	H384	washer, 3/8 flat, s/s	1	\$0.99 ea
63	H263	lever, switch, T-REX	1	\$15.99 ea
64	G040	grip, handle, floor machine	2	\$1.99 ea
65	P522	handle, back half, T-REX	2	\$0.99 ea
66	H261-B	handle, reinforcement, side, T-Rex	2	\$10.00 ea
67	H261-A	handle, reinforcement, center, T-Rex	1	\$14.99 ea
68	H222	screw, 10-32 x 1-1/4" phil pan head, s/s	2	\$0.99 ea
69	P541	lockout, floor machine	1	\$1.99 ea
70	H168	spring, lockout, floor machine	2	\$1.99 ea
71	H260	cover, switch box, T-REX	1	\$19.99 ea
72	H017	screw, 10-32 x 1.5", FHSCS, s/s	2	\$0.99 ea
73	H018	screw, 10-32 x 1/2", FHSCS, s/s	3	\$0.99 ea
74	H161	roll pin, 1 3/4" x 1/8"	2	\$0.99 ea
75	H160	spring, switch/lever	2	\$0.99 ea
76	H149	bolt, 5/16" shldr x 5/8" w/ 1/4-20 thrd	1	\$0.99 ea
77	H839	lever, handle adj, floor machine	1	\$7.99 ea
78	H144	strain relief, power cord, floor machine	1	\$6.99 ea
79	E384	pigtail, 11", black, heavy jacket	1	\$11.99 ea
80	H249	tube, T-REX	1	\$99.99 ea

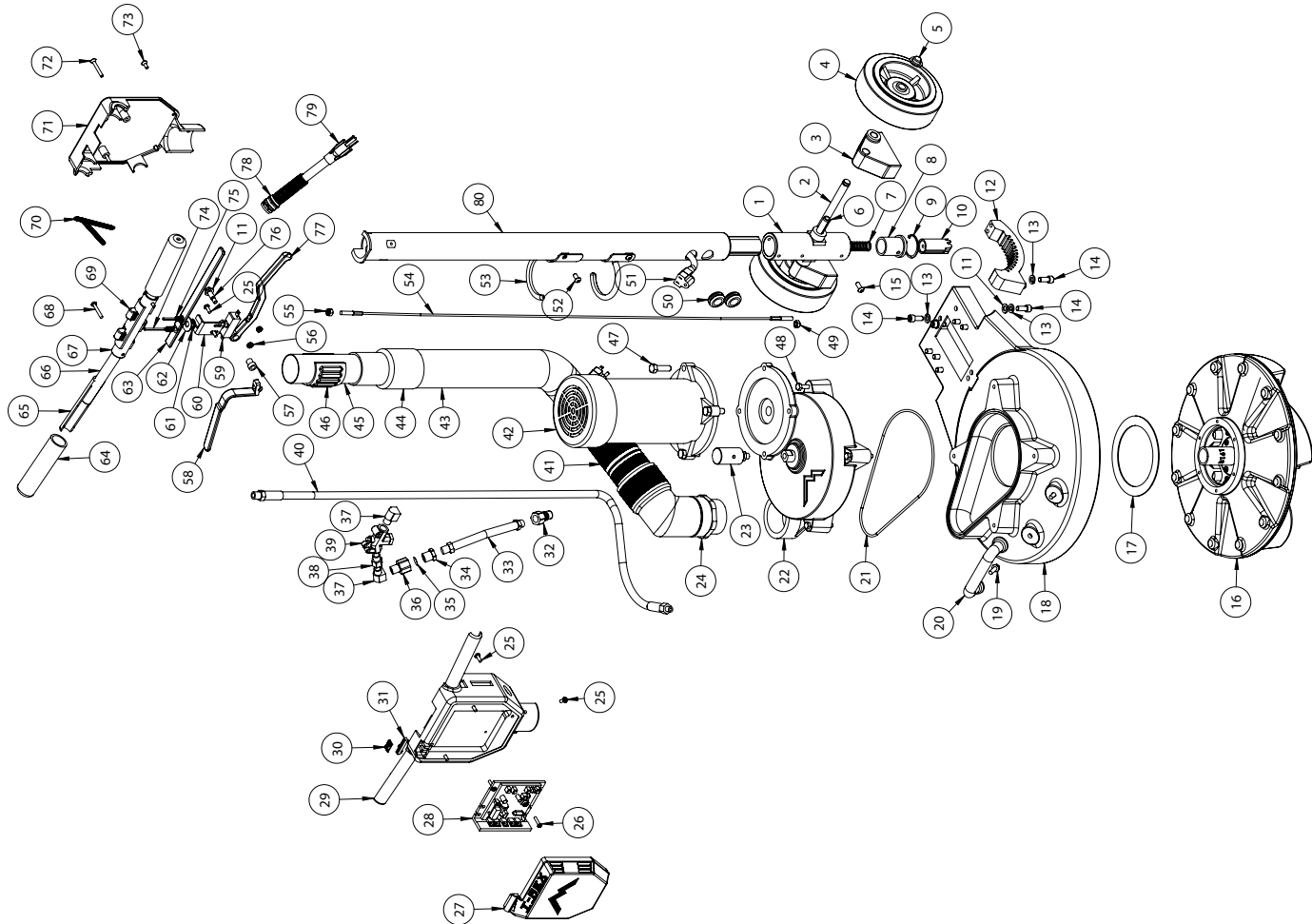
ITEMS NOT SHOWN

PART NO.	DESCRIPTION	QTY.	MSRP
ADM-TREX	manual, TRex	1	N/A
G014	seal, felt, 1/2" thick	2	\$10.99 ea
G023	o-ring, 8.5" OD x 1/8"	1	\$0.99 ea
G027	o-ring, 1.75" OD x 1/8"	2	\$0.99 ea
G037	o-ring, 13.45" ID x 1/8"	1	\$7.99 ea
H051	wrench, flat, 5/8"	1	\$3.99 ea
H052	wrench, allen, 5/32"	1	\$2.99 ea
H053	tool, star removal	1	\$10.99 ea
H461	filter, mesh, 5/8"	5	\$0.99 ea
E617A	25' extension cord, 16/3, black	1	\$36.99 ea
P576	star protector	1	\$24.99 ea
P568A	cord lock, S-type	1	\$8.99 ea



mytee PRODUCTS, INC. 16655101	DATE 9/2012
NAME V. LaBarbera	DRAWN 9/2012
TITLE T-REX 2	
SIZE C	DWG. NO. T-Rex 2
SCALE 1:24	REV OD
SHEET 1 OF 2	

TREX™ PARTS & PRICING



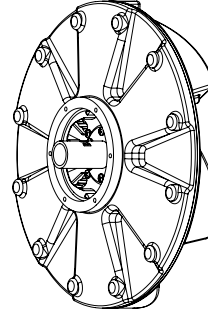
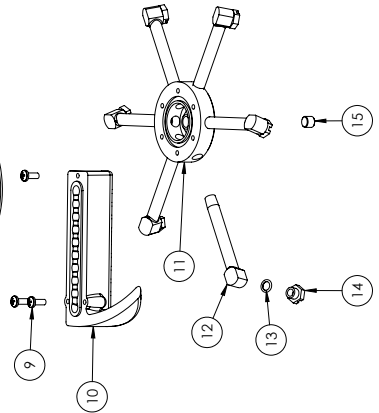
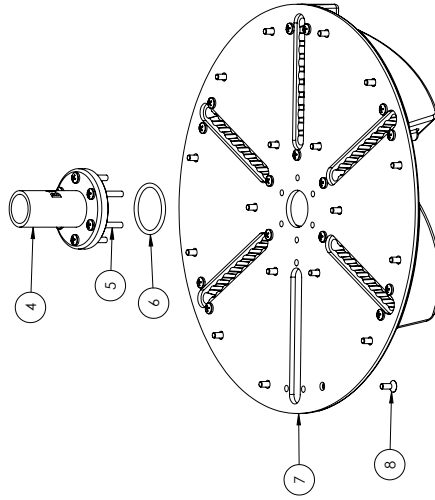
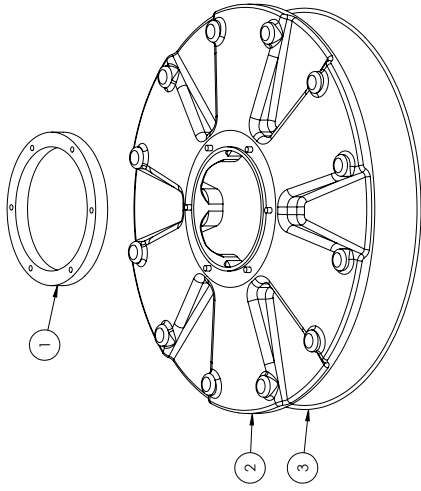
DATE	9/2012	NAME	V. LaBrecque	mytee PRODUCTS, INC.	888-673-1191
DRAWN		CHECKED		TITLE	T-REX 2
COMMENTS	<p>PROPRIETARY AND CONFIDENTIAL THE INFORMATION CONTAINED IN THIS DRAWING IS THE PROPERTY OF MYTEE PRODUCTS, INC. ANY REPRODUCTION OR TRANSMISSION OF THIS INFORMATION WITHOUT THE WRITTEN PERMISSION OF MYTEE PRODUCTS, INC. IS PROHIBITED.</p>				
SIZE	DWG. NO.	REV			
C	T-Rex 2	OD			
SCALE: 1:24	DATE	SHEET 2 OF 2			

1 2 3 4 5 6 7 8

F E D C B A

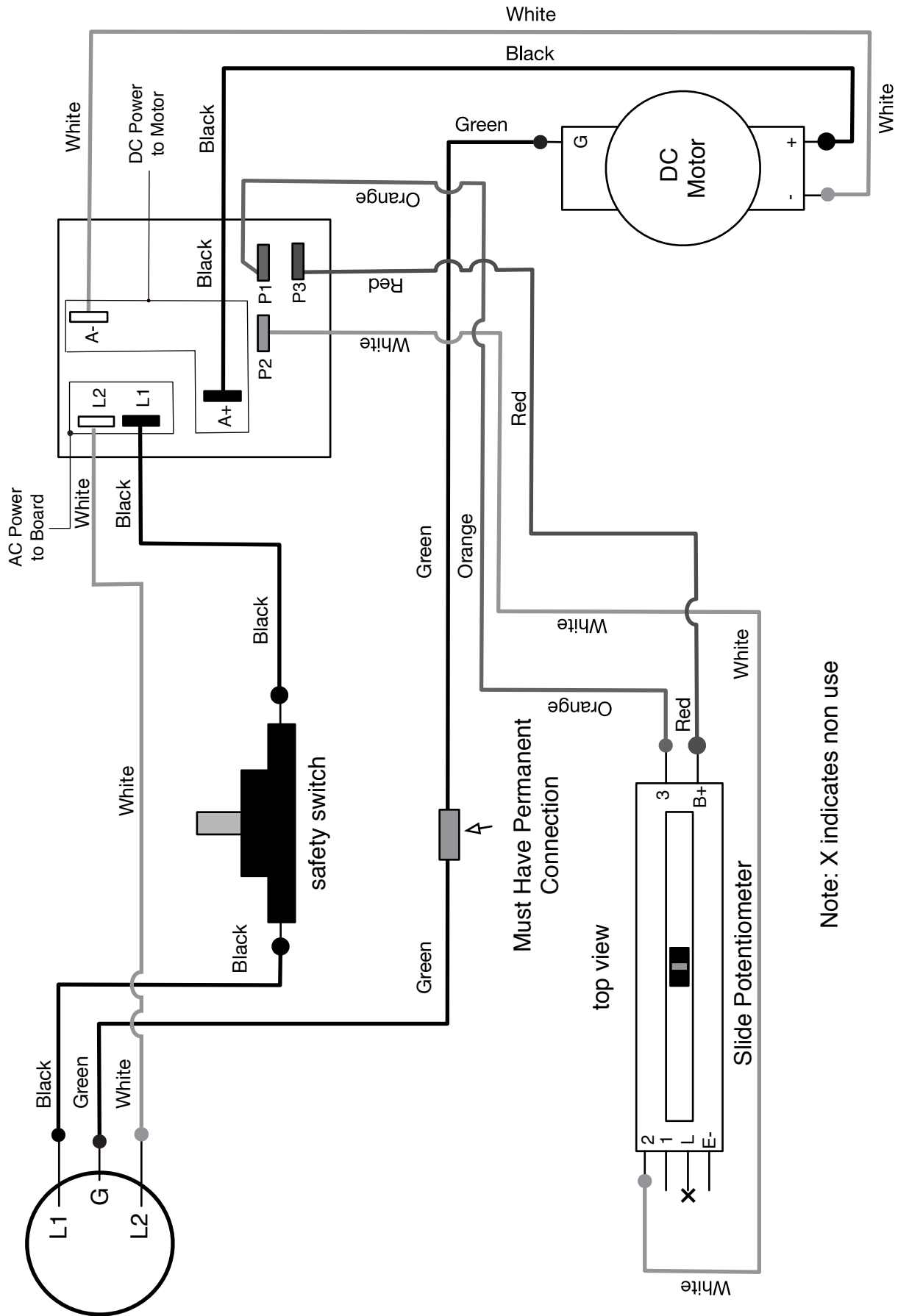
TREX™ PARTS & PRICING

ITEM NO.	PART NO.	DESCRIPTION	QTY.	MSRP
1	G014	seal, felt, T-REX	1	\$10.99 ea
2	P518	manifold, upper, vac, T-REX	1	\$41.99 ea
3	G037	o-ring, 13.5" id x 1/8" w, T-REX	1	\$7.99 ea
4	B161	manifold, upper, solution, T-REX	1	\$44.99 ea
5	H222	screw, 10-32 x 1-1/4", phil pan head, s/s	6	\$0.99 ea
6	G027	o-ring, 1.75" o.d. x 1/8" width	2	\$0.99 ea
7	H090	manifold, lower, vac, T-REX	1	\$89.99 ea
8	H018	screw, 10-32 x 1/2", FHSCS, s/s	18	\$0.99 ea
9	H230	screw, 10-32 x 1/2" phil pan head, s/s	18	\$0.99 ea
10	H248	vac glide, T-REX	6	\$69.99 ea
11	B157	manifold, lower, solution, T-REX	1	\$71.99 ea
12	H036	spray bar, T-REX	6	\$19.99 ea
13	G070	o-ring, 7/16" o.d. x 1/16" width	6	\$2.99 ea
14	B165	jet, T-REX, 140-02	6	\$19.99 ea
15	B176	plug, 1/8" npt, countersunk hex	1	\$2.99 ea



NAME	DATE	MYTEE PRODUCTS, INC.
M.L. Barbera	1/2013	888-970-1719
CHECKED		TITLE:
COMMENTS:		assembly, cleaning head, T-REV
THE INFORMATION CONTAINED IN THIS DRAWING IS THE SOLE PROPERTY OF MYTEE PRODUCTS, INC. AND IS NOT TO BE REPRODUCED IN ANY MANNER WITHOUT THE WRITTEN PERMISSION OF MYTEE PRODUCTS, INC. ©		REV
		C A102 OD
		SCALE: 1:8
		SHEET 1 OF 1

T-REX Wiring Schematic



GENERAL INFORMATION

Dear Customer:

Congratulations on the purchase of your new TREX™ total rotary extractor. As technology continues to develop you can work confidently knowing that both Mytee Products Inc. and its employees are equally dedicated to developing with the industry and its advances.

Like any other piece of machinery or technology, the TREX™ also requires the proper maintenance and care to keep the product working over extended use. Neglecting your machine, abusing it or not operating it properly can void its warranty and prevent the machine from performing to the quality and standard you'd expect out of the Mytee Products Inc. line.

If you have any warranty concerns or questions, please review this manual thoroughly or do not hesitate to contact your distributor. If there are questions regarding maintenance, replacement or ordering parts please contact an authorized Mytee Products Inc. Service Center. To see an updated list please visit our website at <http://www.mytee.com/support/service-centers/>

Before using your Mytee Product, please read this manually thoroughly. Sincerely,
Mytee Customer Care Dept.

Grounding Instructions

This machine must be grounded. If it should malfunction or breakdown, grounding provides a path of least resistance for electrical shock. This machine is equipped with a cord having an equipment-grounding conductor and grounding plug. The plug must be plugged into an appropriate outlet that is properly installed in accordance with all local code and ordinances. Do not remove ground pin; if missing, replace plug before use.



DANGER

Improper installation of the equipment-grounding conductor can result in a risk of electric shock. Be sure to check with a qualified electrician or service person if you are in doubt as to whether the outlet is properly grounded. If the plug will not fit in the outlet do not modify either the plug nor the machine's cord, instead have a proper outlet installed by a qualified technician.

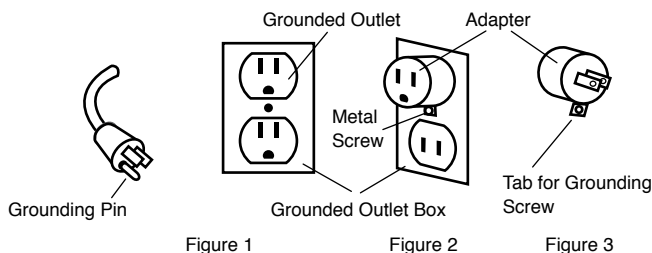
This machine is for use on a nominal 120-volt circuit and with a grounding plug similar to the one in Figure 1 below. If a proper outlet is not available, follow the illustrations of Figure 2 & 3 to install a temporary-grounding plug. This temporary work-around should be used only until a proper outlet (Figure 1) can be installed by a qualified electrician. When and if this type of adapter is employed, screw the adapter's extended tab into place with a metal screw. However, grounding adapters are not approved for use in Canada.

Again, be sure to check the grounding pin for damages and replace if necessary.

The Green, or Green-Yellow, wire in the cord is the grounding wire. When replacing a plug, this wire must be attached to only the grounding pin.

DO NOT use extension cords.

Please Note for America use only



Parts and Service

Please contact a Mytee service personnel or Mytee authorized Service Center using Mytee original replacement parts and accessories for repairs are needing to be performed. When and if calling Mytee for support, please have your Model and Serial Number available for faster assistance.

Name Plate

The Model and Serial Number are located on the switch box of the machine near the power plugs and will be required for ordering replacement parts. You can use the space provided on the front of this manual to note down both for future referencing.

Unpacking the Machine

When your new machine is delivered, please carefully inspect both the shipping carton and the machine for damages. If damage is evident, save both the shipping carton and machine so that the delivering carrier can inspect it. Contact the carrier immediately to file a freight claim if there has been any damage.

Caution and Warnings

Symbols

Mytee uses the symbols below to signal potentially dangerous conditions. Always read this information carefully and take the necessary steps to protect personnel and property.



DANGER

Is used to warn of immediate hazards that will cause severe personal injury or death.



WARNING

Is used to call attention to a situation that could cause severe personal injury.



CAUTION

Is used to call attention to a situation that could cause minor personal injury or damage to the machine or other property. When using an electrical appliance, basic precautions should always be followed, including the following: Read all instructions before using this machine. This product is intended for commercial use only.



WARNING

To reduce the risk of fire, electrical shock, or injury:

1. Read all instructions before using equipment.
2. Use only as described in this manual. Use only manufacturer's recommended attachments.
3. Always unplug power cord from electrical outlet before attempting any adjustments or repairs.
4. Do not unplug by pulling on cord. To unplug, grasp the plug, not the cord.
5. Do not pull or carry by cord. Do not close a door on cord or pull cord around sharp edges or corners.
6. Do not run appliance over cord. Keep cord away from heated surfaces.
7. Do not use with damaged cord or plug. If cord is damaged, repair immediately.
8. Do not use outdoors or on wet surfaces and or standing water.
9. Always unplug or disconnect the appliance from power supply when not in use.
10. Do not allow to be used as a toy. Close attention is necessary when used by or near children.
11. Do not use in areas where flammable or combustible material may be present.
12. Do not leave the unit exposed to harsh weather elements. Temperatures below freezing may damage components and void warranty.
13. Use only the appropriate handles to move and lift unit. Do not use any other parts of this machine for this purpose.
14. Keep hair, loose clothing, fingers, and all parts of the body away from

all openings and moving parts.

15. Use extra care when using on stairs.
16. To reduce the risk of fire or electric shock, do not use this machine with a solid-state speed control device.
17. The voltage and frequency indicated on the name plate must correspond to the wall receptacle supply voltage.
18. When cleaning and servicing the machine, local or national regulations may apply to the safe disposal of liquids which may contain: chemicals, grease, oil, acid, alkalines, or other dangerous liquids.
19. Do not leave operating unattended.

Preparation

1. Remove furniture and other items from the area you are going to clean.
2. Vacuum carpet and upholstery, and remove debris.
3. Protect cabinets, walls and painted surfaces with drop cloths or plastic.
4. Inspect power cords for damages.
5. Remove protective wrapping from wheels.
6. Attach the cleaning head at the base of the TREX™. First, lean the TREX™ back and rest it on the handle. Second, thread the head onto the exposed shaft in a counterclockwise direction.
7. Attach vacuum and solution hoses to unit.
8. Start extractor per operating instructions for unit.

Operating Instructions

Step 1 – Adjust the handle. To do so, pull back on handle adjustment lever and move the handle up or down to desired operating position. Most users find that they have better control and less fatigue if the handle is in a low position, just around the hip line.

Step 2 – Controlling the motor and spray. There are triggers located on both sides of the handle. The trigger on the left controls the solution flow. Activating this trigger will lay down spray through the jets on the star. The pressure of the spray is determined by the type of pump you have hooked up, either on your portable extractor or truckmount.

The trigger on the right hand side controls the motor. To activate the motor, you must first push down the safety lockout, and then pull on the trigger. **PLEASE NOTE:** Be sure that you have good control of the unit when you activate the motor, as it will move quickly when started.

The airflow of the unit is controlled by the vacuum source you have hooked into the machine. The air flows constantly during operation.

Step 3 – Maneuvering the unit. The TREX's™ movement is controlled by moving the handle up or down (similar to a floor machine). To move the machine to the right, lift the handle slightly. To move to the left, lower the handle slightly. The more you lift or lower the handle, the faster the machine will move.

CAUTION – Do not tilt the machine on its side during use! Doing so may result in the ejection of your glides, damage to the star, damage to property, and/or injury.

To move the machine forward or backward, position the machine so the head is “hovering” over one spot, and then push or pull forward or back.

CAUTION – Do not operate the machine on dry carpets. The friction caused by the head movement may cause fiber damage to the carpet.

After Use

1. When machine is transported or stored, apply the head protector.
2. Blow all air out of unit prior to storing with compressed air. Storing the machine with fluid in the lines can result in serious damage if the unit freezes.
3. Store machine in a dry area in the upright position

ATTENTION: Do not expose to rain. Store indoors.

ATTENTION: If storing machine in freezing temperatures, be sure that machine and solution system are completely drained and dry.

Maintenance Schedule

Maintenance item	Daily	Once a week
Inspect cords and hoses for breaks or tears. Replace any damaged items.	x	
Visually inspect machine for damage to cleaning heads, etc. Repair as necessary.	x	
Clean machine with an all purpose cleaner and damp cloth.	x	
Remove the in-line solution filter screen and rinse under water to remove debris.	x	
Check the spray jets for even spray. If uneven, the jet may be clogged and need cleaning. If clogged, remove spray tips and soak them in a recommended liquid neutralizer for up to six hours. To remove spray tip, twist spray tip body counterclockwise. Do not use pointed objects to unplug tips, damage will occur.	x	
Remove the cleaning head. It unscrews in a clockwise direction when looking at the underside of the machine. Once you have loosened it, the star should turn freely in your hands. Wash the cleaning head and shroud thoroughly, being sure not to wet the motor assembly. Clean any lint buildup from the star and vacuum heads.		x
Clean off any debris that is on the shaft of the motor or the hub of the star. If not cleaned regularly, debris here can damage the oil seal on the gearbox, and result in loss of oil.		x
WARNING: Operating the unit without the gearbox properly lubricated can result in damage.		
Lubricate the felt vacuum seal with 30W SAE motor oil.		x
Coat the shaft with WD40 or a similar lubricant.		x
WARNING: When reinstalling the vacuum star, make sure that it spins freely. If it begins to require pressure, unscrew it and clean threads. Dirt or grit can block the threads, and if you continue to tighten, may lock the star on the motor shaft.		

Trouble Shooting

Motor will not start.

1. Not plugged in - plug machine in proper outlet.
2. Circuit breaker has popped - reset circuit breaker. Make sure no other items are running on the same circuit as machine. Outlet must be a 15-amp circuit.
3. Switch is bad - install replacement switch.
4. Motor is bad - install replacement motor.

Star will not turn.

1. Motor is not operating (see above).
2. Star is jammed - remove star. Check for obstructions. Clean threads on shaft and hub.

No solution spray at jets.

1. Jet is clogged - clean jet and flush clean.
2. Filters are clogged - remove filter and rinse clean with water.

GENERAL INFORMATION

3. Trigger valve has failed - replace valve.
4. Pump not operating in extractor - check pump.
5. No solution in extractor - refill.

No vacuum suction at slots.

1. A hose is blocked - check and clear all hoses.
2. Hose between head and handle is kinked - unkink hoses.
3. A vacuum hose has developed a leak or hole - replace hose.

Machine vibrates during use.

1. The star is bent - examine star and realign or replace.

TIPS

WARNING: Flammable materials or reactive metals can cause an explosion or fire.

Do not pick up.

Do not operate the machine over floor moldings. Damage to the molding and the head will occur.

Do not operate the machine on concrete or hardwood floors. The machine is designed for carpet use only. Use on other surfaces will cause damage to the unit.

Do not operate your machine over loose or unraveled carpet seams. The cleaning head may grab the loose piece and cause further damage.

Do not clean over the edge of loose carpet. Extraction heads will catch the carpet edge.

Work away from outlet and power cord to prevent cord damage.

During cleaning of plush carpet, you may notice some loose yarns being thrown from the sides of the extraction head. This is normal.

On carpets that have delaminated (the face has come loose from the backing), this machine may cause further delamination. When in doubt, do not use the unit.

The machine will leave carpet with "swirl marks" from the cleaning process. These should be brushed out at the end of cleaning with a carpet rake or brush.

To clean heavily soiled areas, repeat cleaning path from different direction. After cleaning, relieve water pressure from tool before disconnecting hose. Squeeze trigger for five seconds after turning main power switch off.

Always hook up solution and vacuum hoses to the machine BEFORE turning on pumps or motors. Solution lines will be difficult, if not impossible to plug in while pump is pressurized.

FAQs

Q: How much does the TREX™ weigh?

A: Machine weighs 65 lbs., cleaning head is 18 lbs.

Q: What comes standard with TREX™?

A: A916 - Head protector, G014 - Felt Ring Seal, H053 - Head Removal Tool, H051 - 5/8" Flat Wrench, H061 - 2" x 25" Vacuum Hose, A917 - Vacuum Relief, E617A - 25' Power Cord.

Q: Is there anything I can do to increase the expected life of my TREX™?

A: Regular cleaning and maintenance of the entire unit.

Mytee Limited Warranty Policy

Mytee Products, Inc. endeavors to provide high quality products and product support to its customers and therefore backs up all of its new products purchased from Mytee Products Inc. (Mytee) or any authorized Mytee distributor/service center with this limited warranty.

This limited warranty begins on the date of the customer purchase and is valid and available to the original purchaser only. Mytee products are for commercial use only and are not intended for personal, family or household uses.

HOWEVER, OTHER THAN SET FORTH HEREIN, MYTEE GIVES NO WARRANTY, EXPRESS OR IMPLIED, AS TO DESCRIPTION, QUALITY, MERCHANTABILITY, FITNESS FOR ANY PARTICULAR PURPOSE, PRODUCTIVENESS, INFRINGEMENT, OR OTHER MATTER, OF ANY

GOODS WHICH MYTEE SHALL SUPPLY. THERE ARE NO WARRANTIES, WHICH EXTEND BEYOND THE DESCRIPTION ON THE FACE HEREOF. MYTEE SHALL IN NO WAY BE RESPONSIBLE FOR THE PROPER USE AND APPLICATION OF THE GOODS. MYTEE NEITHER ASSUMES NOR AUTHORIZES ANY OTHER PERSON TO ASSUME FOR MYTEE ANY OTHER LIABILITY IN CONNECTION WITH THE SALE OF MYTEES GOODS. THIS LIMITED WARRANTY POLICY MAY BE CHANGED OR WITHDRAWN BY MYTEE AT ANY TIME WITHOUT NOTICE.

90-DAY PARTS AND LABOR LIMITED WARRANTY: Mytee will cover parts and labor on all components for 90 days from the date of original purchase. This warranty covers the cost of replacement and labor only, and does not cover shipping costs.

WEAR PARTS 90-DAY LIMITED WARRANTY: Mytee will replace all wear parts for 90 days from the date of original purchase. Wear parts are items which wear out as a result of usage or the passage of time and are consumed despite attempts to maintain them, such as gaskets, wheels, brass, cords, wires, electrical terminals, hoses, switches, thermostats, plastisol parts, filters, bearings, brushes, solenoids, o-rings, bulbs, heating elements, castors, or other parts deemed wear items in Mytee's sole discretion. This warranty covers the cost of replacement only and does not cover shipping or labor costs.

1-YEAR MAJOR COMPONENTS WARRANTY: Mytee warrants that pumps, vacuum and floor machine motors, and heaters are covered for a one (1) year limited warranty from the date of original purchase. This warranty does not apply and is void if the pump, vacuum motor, or heater has worn brush motors, water damage, chemical build-up, chemical damage, or evidence of abuse, neglect or tampering. This warranty covers the cost of replacement only, and does not cover shipping or labor costs.

HOUSING LIFETIME LIMITED WARRANTY: Mytee warrants that all rotationally molded housing and tanks will be free from manufacturing defects, defects in workmanship, and defects in material for the life of the part. Replacement cost does not include the cost of shipping or labor.

LIMITATION OF DAMAGES: THE REMEDY OF REPLACEMENT OR REPAIR OF ANY DEFECTIVE GOODS SHALL BE THE EXCLUSIVE REMEDY UNDER ANY WARRANTY MADE BY MYTEE, WHETHER EXPRESS OR IMPLIED. IN NO EVENT SHALL MYTEE BE LIABLE FOR ANY INCIDENTAL OR CONSEQUENTIAL DAMAGES, PROPERTY DAMAGES, OR PERSONAL INJURIES.

All limited warranties are void for, and Mytee does not warrant in any way, any product that evidences misapplication, improper installation, abuse, lack of maintenance, negligence in use or care, abnormal use, alteration of design, use of incompatible or corrosive chemicals, use in a rental service, and/or servicing, installation of parts, or repairs by anyone other than Mytee or a Mytee authorized distributor or service center. Mytee may make changes in products it manufactures and markets at any time; these changes are made without obligation to change, retrofit, or upgrade any product previously sold or manufactured.

Mytee has no obligation to honor the limited warranties set forth herein unless the original purchaser, promptly upon discovering the warranty claim and prior to continuing to use the product, contacts Mytee or a Mytee authorized distributor or service center to describe the claim and to receive and follow instructions for documenting and resolving the claim. In addition, the purchaser must provide the product to which the claim applies to Mytee or a Mytee authorized distributor or service center for a thorough inspection.

If any provision or portion of this limited warranty policy is found to be unenforceable, then the remaining provisions and portions shall remain valid and enforceable. If any provision or portion of this limited warranty policy is found to be limited by law, then that provision or portion shall be construed to make it effective within the bounds of law. For example, if there are legal limitations on the duration of warranties, the warranties made herein shall be construed to have the minimum duration required by

law, or, if there are legal limitations of exclusion of remedies, the exclusions made herein shall be construed to apply to the fullest extent possible without violating the law.

The validity, construction and performance of this warranty policy shall be governed by the laws of the State of California, without respect to conflicts of laws principles. The exclusive jurisdiction of any legal action arising from or related to this warranty policy shall be in the State of California and no legal action shall be commenced elsewhere.

Return Material Authorization Procedure

It is the responsibility of any Authorized Service Center (ASC) or Distributor with written authorization to ensure the Customers equipment is repaired as soon as possible. Only Mytee Products Inc. or it's authorized dealers with written authorization, service centers, and agents may make warranty repairs on these products. All others do so at their own risk and expense.

The Distributor must follow Mytee Products, Inc. standard RMA procedure:

1. When a repair falls within the Warranty time period for a piece of equipment, the Distributor will fill out a RMA/Warranty claim form. This form will act as a repair order to replace any defective parts.
2. All defective parts must be returned to Mytee Products, Inc. with the RMA/claim form for evaluation at the customer's expense. This shipping is non-refundable. All warranty claims are subject to an evaluation by Mytee Products, Inc. to determine if warranty will be approved. Any credit for repair and/or parts will only be issued upon evaluation and approval from Mytee Products, Inc.
3. When Warranty is approved, the Distributor's account will be credited for the replacement part(s). Mytee Products, Inc. will ship the warranted replacement part(s) to the Distributor prepaid. If Warranty is denied the Distributor's account will not be credited for any parts sent for this claim.

NOTES



Mytee Products Inc.
13655 Stowe Dr.
Poway, Ca. 92064
www.mytee.com
FX 858.679.7814
© 2013 Mytee Products Inc.
Printed in the U.S.A.