

SIX-STAR™ TRAY SLIDE ASSEMBLY INSTRUCTIONS

PARTS LIST

Part	Qty
Tray Slide	1
Tray Slide Bracket	2
7/8" Hex Head Bolt	4
1/4" Flat Washer	4

Tools Needed: 7/16" wrench

Step 1: Unpack and inventory all parts (see Parts List). To ensure proper assembly, it is suggested that you take time to locate and identify each part.

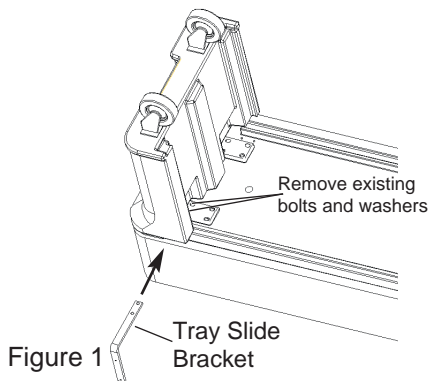


Figure 1

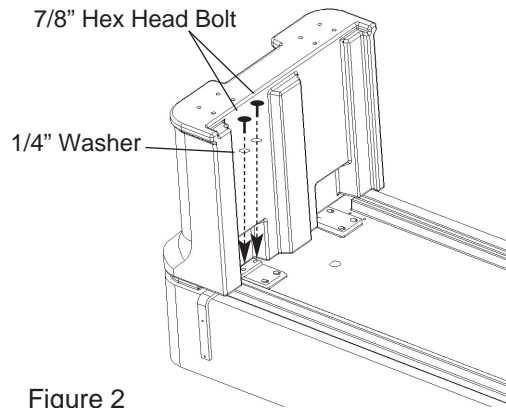


Figure 2

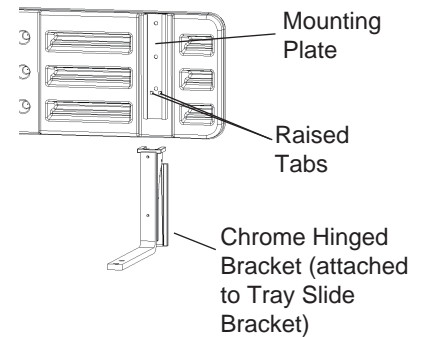


Figure 3

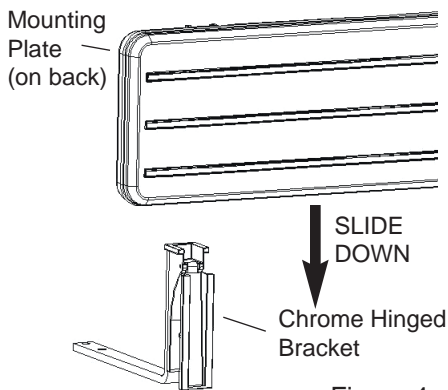


Figure 4

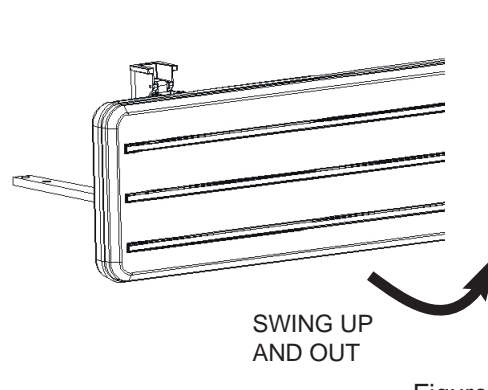


Figure 5

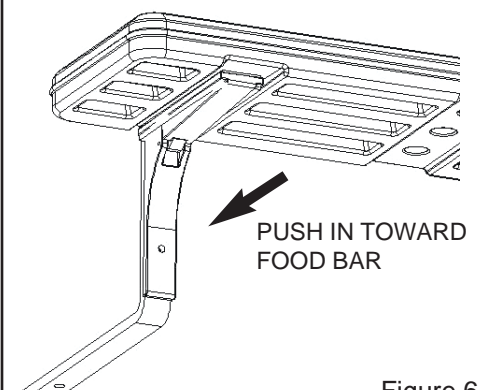


Figure 6

Step 2: On underside of basin, remove two bolts and washers closer to leg and discard. Slide Tray Slide Bracket into slot between basin and leg.

Step 3: Line up two holes in the Tray Slide Bracket with holes closer to leg (see Figure 2).

Step 4: Using the longer bolts shipped with the Tray Slide and the washers, attach Tray Slide Bracket to Basin (see Figure 2).

Step 5: Repeat steps 2 through 4 on the other leg to attach the other Tray Slide Bracket.

Step 6: With Food Bar upright, hold Tray Slide **above** Tray Slide Brackets. Mounting Plates on back of Tray Slide should be **closer to the top** with the raised tabs on the mounting plate **toward the bottom** (see Figure 3).

Step 7: Lining up both Mounting Plates on Tray Slide with the Tray Slide Brackets, slide the tray slide **down** onto the chrome hinged Tray Slide Bracket (see Figure 4).

Step 8: To raise Tray Slide for use, grab bottom of the Tray Slide and swing it up and out (see Figure 5) then push in toward food bar to lock (see Figure 6). To lower, pull Tray Slide out and fold down.

P.O. Box 53006
Oklahoma City, Oklahoma 73152-3006
(405) 528-3011 • FAX (405) 528-6338
1-800-654-8210
Web Site: www.carlislefsp.com
#104803752

European Distribution Center:
Edisonstraat 84, P.O. Box 110
6900 AC Zevenaar, The Netherlands
Tel +31/(0)316-596550 • Telex 45642
FAX +31/(0)316-340168

CARLISLE
FoodService Products