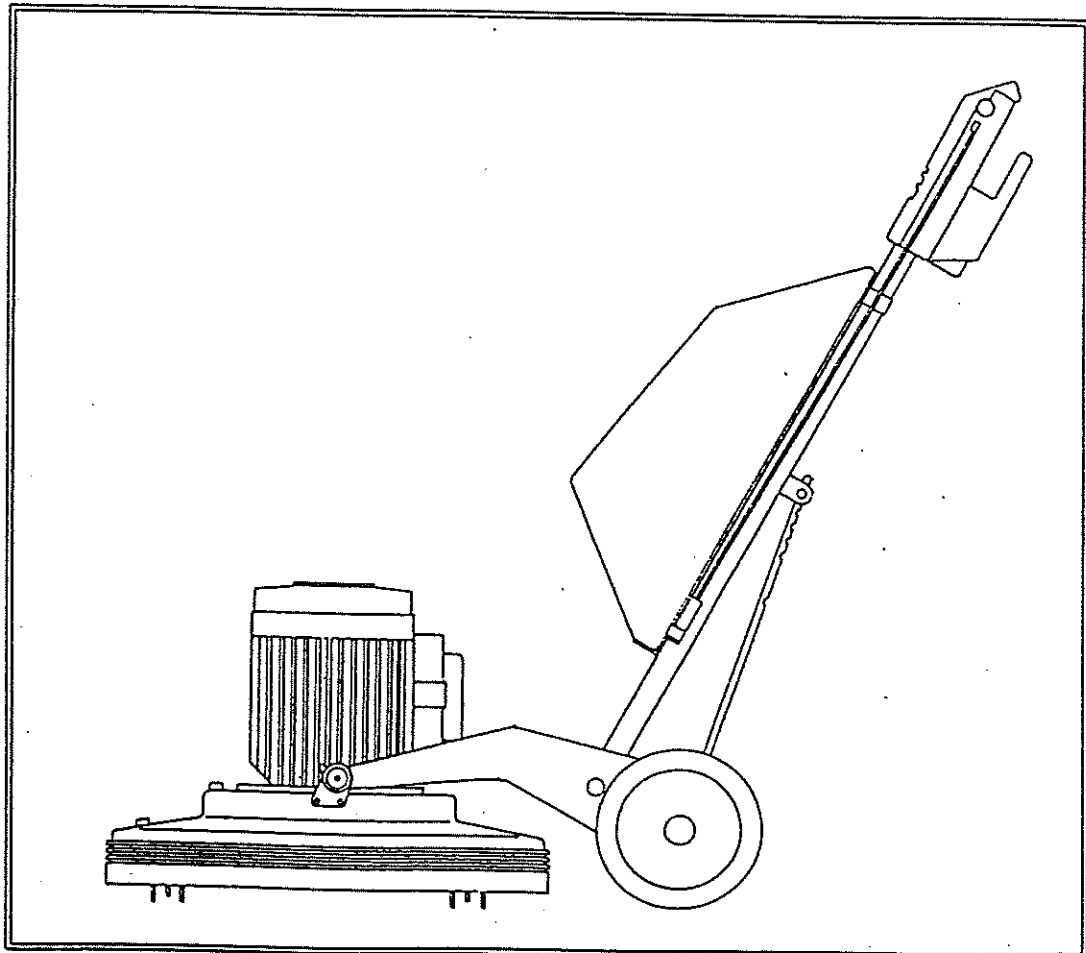
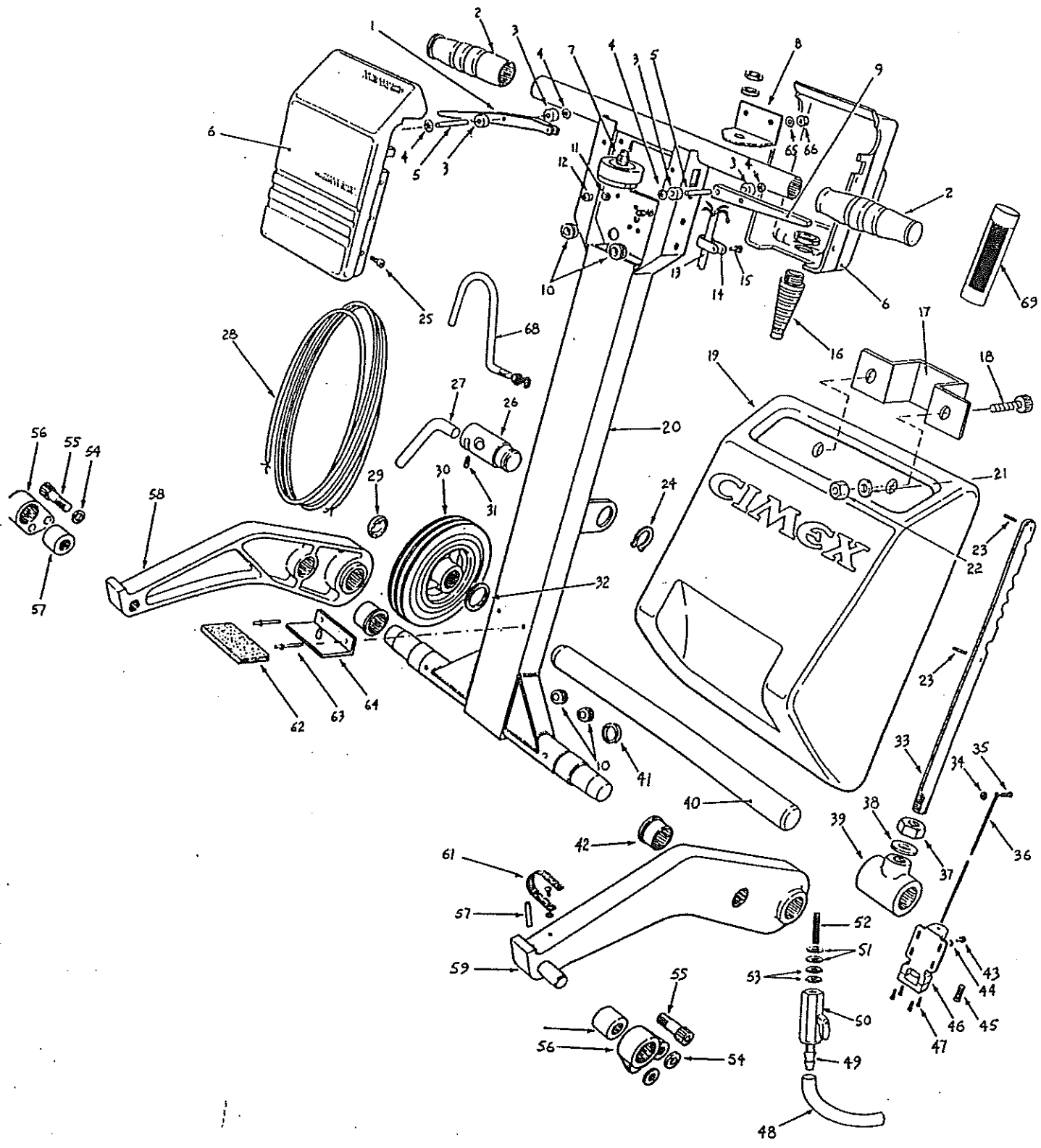
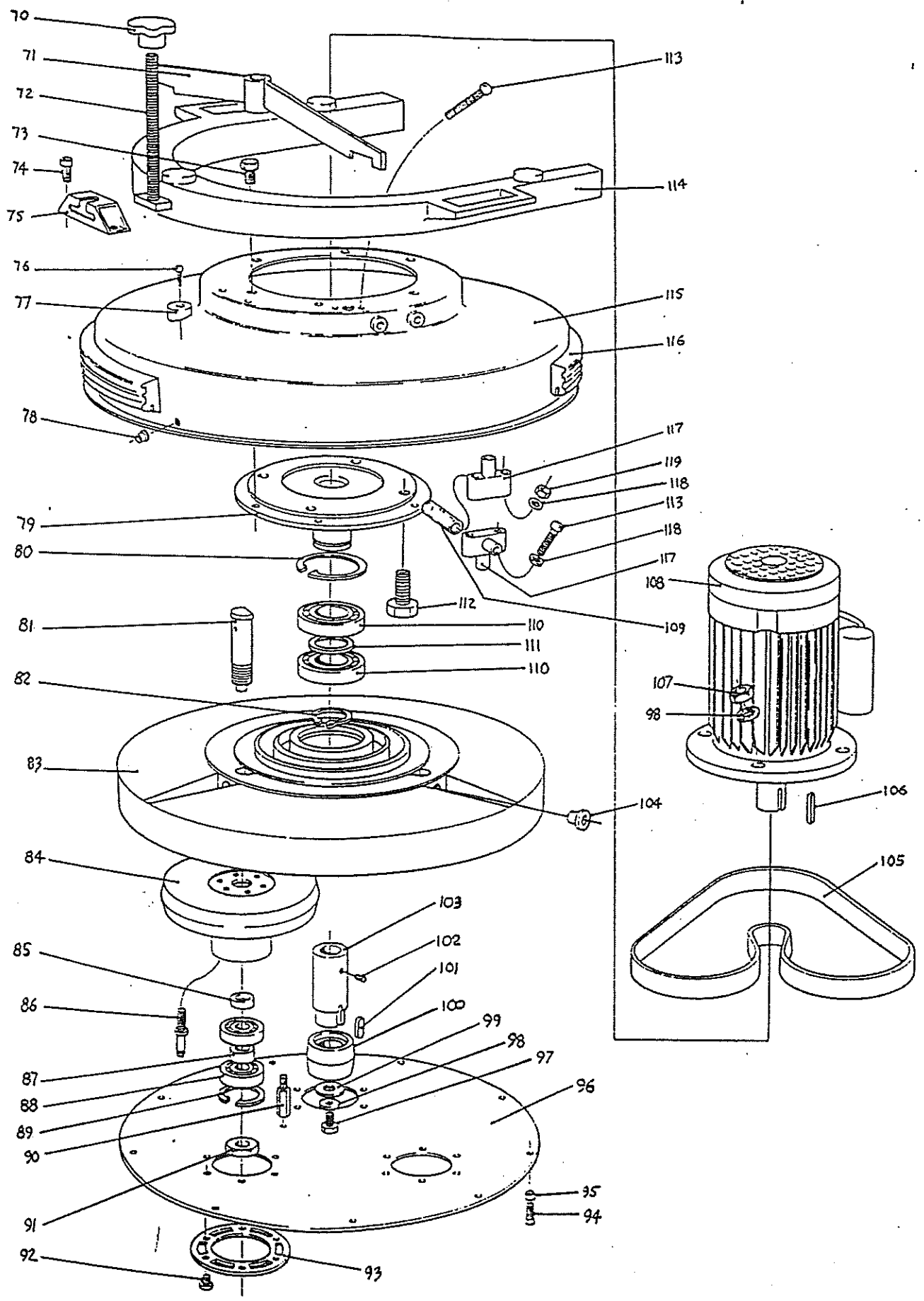


**CR48DF (USA)
DIAMOND FINISHER
ILLUSTRATED PARTS LIST**



**80336
Issue 01**





CR48DF/49 PARTS LIST

Part No 80336 Issue 01

Page 1

KEY	DESCRIPTION	CIMEX Pt No	QTY
1	Switch Operating Lever	40014	1
2	Handle Grip	40007	1pr
3	Lever Spacer	40057	4
4	Starlock Washer	18031	6
5	Pivot Pin	40058	2
6	Switch Enclosure	40047	1
7	Marquard Switch	6751	1
8	Switch Bracket	40046	1
9	Water Valve Lever	40050	1
10	Grommet - 14.3mm ID	40055	4
11	Washer M4	26078	2
12	M3 Nut	28766	4
13	Handle Cable	13441	2.3m
14	P Clip	9331	2
15	M3 x 10 Pan Head Screw	28856	2
16	Cable Restraint	40110	1
17	Tank Bracket - Top	40082	1
18	M6 x 15 Bolt - S/S	40172	2
19	Water Supply Tank	40036	1
20	Handle	40015	1
21	M6 x 20 Washer	28946	2
22	M6 Nyloc Nut	45046	2
23	Sellock Pin - 1/8" x 7/8"	16186	2
24	Circlip - 3/4" External	6010	1
25	M5 x 16 Pan Head Screw - S/S	21270	6
26	Pivot	9749	1
27	Locking Handle	9654	1
28	Mains Cable	13441	15m
29	Starlock Hub Cap	9556	2
30	Wheel	40006	2
31	M5 x 10 Socket Set Screw - BZP	9662	1
32	Washer - 1 7/8" OD x 1" ID	10166	4
33	Swivel Clamp Rod	40009	1
34	M5 Nyloc Nut	21876	1
35	M5 x 20 Screw	21283	1
36	Water Valve Operating Rod	40053	1
37	M12 Locknut	9666	5
38	M12 ID Washer	9694	1
39	Tee Piece	40062	1
40	Axle	40065	1
41	Hole Plug	40090	1
42	Nylon Bush	9107	2

KEY	DESCRIPTION	CIMEX Pt No	QTY
43	M4 x 8 Pozi Pan Head Screw	26065	4
44	M4 Washer	26078	8
45	Spring	40051	1
46	Water Valve	40044	1
47	No 4 x ⁵ / ₈ " Pozi Csk Screw	40052	4
48	Hose	40059	1m
49	Valve Outlet	40317	1
50	Ball Valve	40318	1
51	Brass Washer ¹ / ₂ " x 1"	8121	1
52	Valve Insert	40333	1
53	Brass Nut ¹ / ₄ BSP	8120	2
54	M10 ID Washer	20084	5
55	M10 x 30 Socket Head Cap Screw - BZP	29520	4
56	Pivot Bracket - R/H	9353	1
	Pivot Bracket - L/H	9354	1
57	Clayflex Bearing	9387	2
58	Lifting Fork - R/H	40152	1
59	Lifting Fork - L/H	40151	1
60	Sellock Pin ¹ / ₈ " x 1"	16089	2
61	Earth Braid	8138	2
62	Tank Pad	40054	1
63	Rivet	9975	2
64	Lower Tank Bracket	40091	1
65			
66			
67			
68	Cable Hook	9741	1
69	Strylon Filter	16261	1
70	Clamp Knob	17842	1
71	Clamp Bar	17839	1
72	Clamp Bolt	17840	1
73	M6 x 12 Hex Head Set Screw - BZP	25356	4
74	M8 x 12 Socket Cap Screw	20090	2
75	Bracket - BZP	17841	1
76	M5 x 20 Pan Head Screw	28073	3
77	Locating Pad	9981	3
78	Skirt Pin	9858	6
79	Spigot Plate	40076	1
	Spigot Plate - for Leeson Motor only	49949	1
80	Circlip - Internal 1300/75mm	9596	1
81	Brush Spindle	9239	3
82	External Circlip - 1400/45mm	9672	1
83	EDU Bowl	40159	1
84	Brush Pulley	40027	3

KEY	DESCRIPTION	CIMEX Pt No	QTY
85	Spacer	9995	3
86	Brush Driving Pin	40026	12
87	Spacer	9640	3
88	Bearing 6003-2RS	9671	6
89	Circlip - 1300/35mm	9463	3
90	Bottom Cover Spacer	9631	3
91	M16 Nyloc Nut	28395	3
92	No 12 x 1/2" Pozi Pan Head Screw	9817	18
93	Dust Seal	8535	3
94	M5 x 12 Csk Pozi Screw	9674	12
95	Cup Washer	9492	12
96	Bottom Cover Plate	20003 ████████	1
97	M10 x 20 Hex Head Screw	9643	1
98	M10 Shakeproof Washer	9675	4
99	Washer - 1 1/4" x 3/8" x 16 SWG	17549	5
100	Centre Pulley	9758	1
101	Round Ended Steel Key	9402	2
102	M6 x 6 Socket Set Grub Screw	9682	1
103	Motor Shaft Extension	9979	1
104	Plastic Insert	9721	3
105	Belt	████████	1
106	Steel Key	17828	1
107	M10 Full Nut	28079	4
108	Motor - 1.5kw. 110v. 60Hz	12680	1
	Motor - 1.5kw (Leeson) from Ser No 420216 on...	12690	1
109	Silicone Tube	40059	0.04m
110	Bearing - 6009-2RS	9645	2
111	Spacer	40024	1
112	M10 x 35 Hex Head Set Screw - BZP	20119	4
113	M4 x 25 Cheese Head Screw	9678	4
114	Weight	17818	2
115	Shield	40042 ████████	1
116	Bumper Rubber	6955 ████████	1.53m
117	Water Feed Elbow	9179	2
118	M4 Washer	26078	4
119	M4 Full Nut	9679	4
120	M10 Locknut	28104	2
	<u>Sub-assembly Part Numbers</u>		
	EDU Head Assembly	661741	
	Handle Assembly	661739	
	Solution Tank	661607	
	Skirt Assembly	661466	
	<u>Motor capacitors</u>		
	Run Capacitor (80µf 400/450v)	12658	
	Start Capacitor (400µf/120/150v)	12657	