



**AMERICAN SPECIALTIES, INC.**

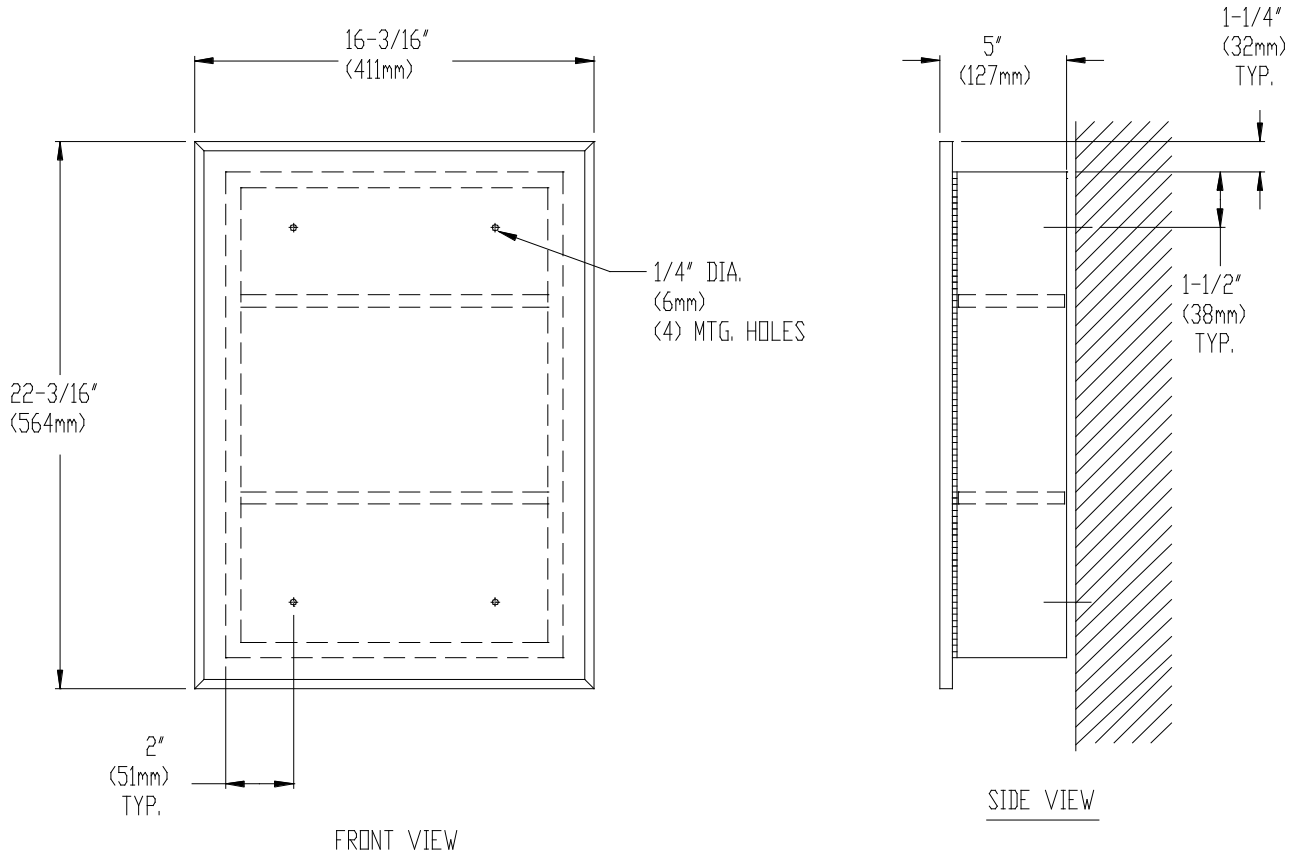
441 Saw Mill River Road, Yonkers, NY 10701 (914) 476-9000

MODEL No: 8339

ISSUED: 1-87

REVISED: 10-99

**SURFACE MOUNTED MIRRORED SWING DOOR MEDICINE CABINET**



**SPECIFICATION**

Surface Mounted Mirrored Swing Door Medicine Cabinet shall be fabricated of one-piece cold rolled steel with a neutral baked enamel finish. Cabinet shall be provided with two (2) adjustable white baked enamel steel shelves. Mirror glazing shall be N<sup>o</sup> 1 quality 1/4" thick polished float/plate glass, and shall be warranted for 15 years against silver spoilage. Stainless steel door channel frame shall be hung on full length 3/16" (5mm) dia. stainless steel multi-staked piano hinge, painted to match cabinet, and shall be held closed by a magnetic catch.

**Surface Mounted Mirrored Swing Door Medicine Cabinet shall be Model N<sup>o</sup>8339 as fabricated by American Specialties, Inc., 441 Saw Mill River Road, Yonkers, New York 10701-4913**

**INSTALLATION**

For general utility mount cabinet 46" (1168mm) above finished floor (AFF) from bottom of unit or 12" (305mm) above top of wash basin. Secure cabinet in place with four (4) N<sup>o</sup>10 self tapping screws through mounting holes in cabinet back. Cabinet is universal for left-hand door swing and may be inverted to produce a door with a right hand swing if required. For compliance with ADA Accessibility Guidelines, install unit so that bottom edge of reflecting surface is no higher than 40" (1016mm) above finished floor.

**OPERATION**

User pulls door to access contents and manually pushes door shut. Shelf spacings may be adjusted using internally embossed clip tracks.

**Accessory Specialties**

**AMERICAN DISPENSER**

**Desert Ray Products**

**WATROUS INC.**